

Hexagon Pull Up Station

FSW217



Item no. FSW21701-0901

General Product Information

Dimensions LxWxH 317x276x240 cm

Age group 13+

Play capacity (users) 6

Color options



See KOMPAN Fit app for more



The hexagon pull up can be used in many ways and by multiple users at the same time. Exercises range from normal pull ups to the most dynamic and advanced exercises such as the Muscle Up. The Pull Up Bars are made from solid steel and have a diameter of 32 mm. An ideal size for both men and women to have a good grip. As the highest bar is connected at

a height of 233 cm everyone will be able to hang freely, to make sure that everyone can reach the pull up bars there are 2 stepping pods at different heights.



Hexagon Pull Up Station

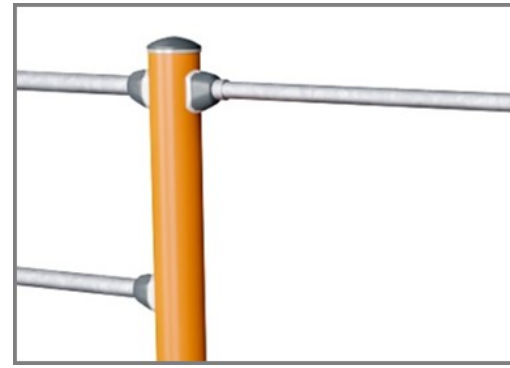
FSW217



Post are made of Ø101.6 x 2mm, pre-galvanized carbon steel and powder coated, a great protection to all conditions.



The connectors are made of die-cast aluminium, specially alloyed for the outdoor environments and heavy usage. The screws attaching the connectors are stainless steel and protected by zinc washers.



All bars intended for pull ups are made of solid, ø32mm x 138 m, hot dip galvanised, S235JR steel bars. This diameter gives the right grip for everyone.

Item no. FSW21701-0901

Installation Information

Max. fall height	133 cm
Safety surfacing area	27.8 m ²
Total installation time	4.4
Excavation volume	1.06 m ³
Concrete volume	0.59 m ³
Footing depth (standard)	90 cm
Shipment weight	240 kg
Anchoring options	In-ground ✓ Surface ✓



All KOMPAN fitness products are compliant with the ASTM F3101 & EN16630 Outdoor Fitness Standards. Load tests are performed as a static test by adding dynamic factors as well as safety factors to the specified load of 78kg per user. A product intended for 1 user is loaded with 420kg.



The information sign is made of a PA6 (Polyamide) and shows the most relevant exercise and a QR code. When scanned the QR code will link to an animated illustration of the exercise and offers the possibility of downloading the KOMPAN sport & fitness App, which will provide a large amount of exercises and workouts.



Steps are made of extruded aluminium with a non-skid surface. Aluminium has high corrosion resistance and ensures durability of the product. Steps have been mounted at heights of 34,7cm and 54,7cm this creates an easy access to reach the overhead activity



Sustainability Data

FSW217



Cradle to Gate A1-A3	Total CO ₂ emission	CO ₂ e/kg	Recycled materials
	kg CO ₂ e	kg CO ₂ e/kg	%
FSW21701-0901	508.20	3.30	49.10

The overall framework applied for these factors is the Environmental Product Declaration (EPD), which quantifies "environmental information on the life cycle of a product and enable comparisons between products fulfilling the same function" (ISO, 2006). This follows the structure and applies a Life-Cycle Assessment approach to the entire Product stage from raw material through manufacturing (A1-A3))

Kompan A/S
 C.F. Tietgens Boulevard 32C
 DK-5220 Odense SØ
 Denmark



Verification of CO₂ calculation of: Fitness



Data version no. 2023-10-05

The CO₂ calculation and data are in compliance with the principles of a carbon footprint impact according to the GHG protocol (Greenhouse Gas Protocol), Scope 3, cradle to gate related to all individual components in the product category: "Fitness" represented by item no.: FAZ10100-0900.

(Scope 3 emissions include emission sources in the upstream and downstream value chain).

Date: 30. October 2023 | Valid until: 30. October 2025

Verified by:

Julie Marie Vejsgaard Larsen, LCA & EPD Consultant

Verification based on report: Validation of CO₂ calculation of 9 categories of Kompan product line, version 1.0, prepared by: Bureau Veritas HSE, Denmark: Julie M. V. Larsen.

Publication date: 30. October 2023

By Bureau Veritas HSE
 www.bureauveritas.dk
 +45 7731 1000

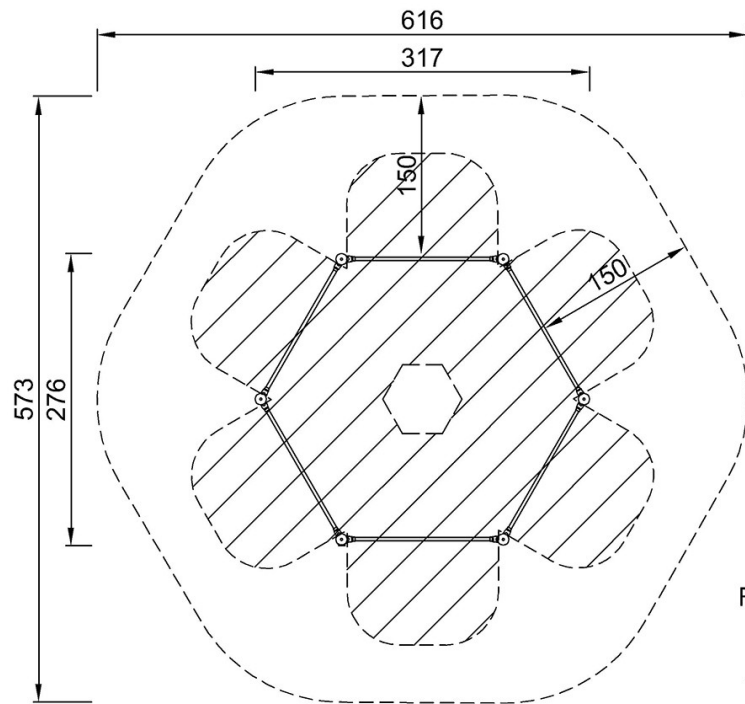


Hexagon Pull Up Station

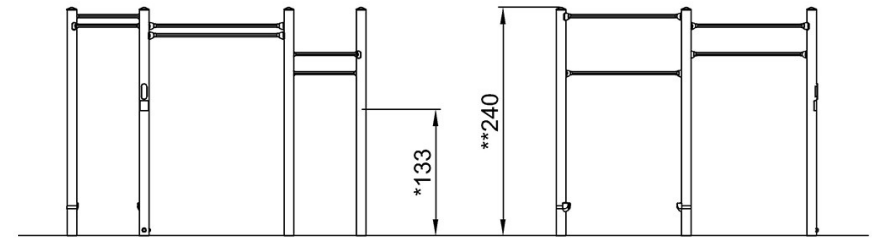
FSW217

* Max fall height | ** Total height | *** Safety surfacing area

* Max fall height | ** Total height



FSW21701
*133cm
**240cm
***27.8m²



FSW21701

[Click to see TOP VIEW](#)

[Click to see SIDE VIEW](#)