

Inclusive Twister

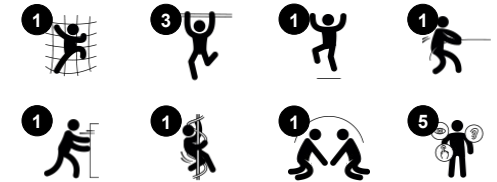
COR20330



Item no. COR203301-1101

General Product Information

Dimensions LxWxH	171x171x225 cm
Age group	5+
Play capacity (users)	12
Colour options	



The Inclusive Twister is a truly universal play magnet for all children, across abilities. The roomy platform and the wide net openings ease access and make stays comfortable for all, for longer. The platform is tested with users of all abilities: handgrips in the platform provide a point to hold on to when accessing, and when the Twister rotates. This helps attract children

back for more play again and again. The nets are spacious and can be climbed on both the inside and the outside, providing great physical training of the children's coordination and muscles. The spacious net openings invite meetings all the way to the top and invite perching, which children enjoy. The pushing and pulling the Twister into rotation trains

muscles and coordination as well as the sense of balance. The teamwork and turn-taking in rotating the Twister build empathy and friendships.



Inclusive Twister

COR20330



Climbing net

Physical: the net allow for climbing and crawling, supporting proprioception, cross-coordination and spatial awareness and strength. **Social-Emotional:** the net allow more children being seated together, sharing.



Spacious platform

Physical: allows for more body positions: sitting, lying, standing, which facilitates use for children with physical disabilities. **Social-Emotional:** facilitates many children using the Tipi Carousel simultaneously, supporting cooperation and turn-taking.



Big meshes

Physical: the big meshes allow for climbing and crawling, supporting proprioception, cross coordination and spatial awareness. **Social-Emotional:** allow more children being seated together, sharing.



0

Physical: the rotation develops the sense of balance and space, children use their muscle strength and strengthen their cardio. **Social-Emotional:** listening and negotiating how slow or fast to go, children develop empathy and cooperation skills.



Grip holes in floors

Physical: extra gripping aid for young children crawling up. Support for children with mobility impairments.

Inclusive Twister

COR20330



Corocord ropes with 19mm+ diameter are known as a 'Hercules' rope type which is formed from galvanised six-stranded steel wires. Each strand is tightly wrapped with PES yarn, which is melted onto each individual strand. Ropes are highly wear-and vandalism-resistant and can be easily replaced on-site if needed.



Designed to allow the typical function of rope play structures to move Corocord 'S' clamps are used as universal connections in Corocord products. 8mm stainless steel rods with rounded edges are pressed around the ropes with a special hydraulic press, making them the ideal connector. Our clamps are safe, durable and vandalism-proof.



Heavy duty engineered bearing system with single row deep groove ball bearings with rubber seals. The fully closed bearing construction is lifetime lubricated and maintenance free. The Bearing system has an integrated drag brake according to global safety standards.



All decks are supported by a unique steel construction with multiple deck supports and fixations. The HPL decks with a thickness of 17.8mm have a very high wearing strength and feature a unique KOMPAN non-skid surface texture.



The steel posts are hot-dip galvanised inside and outside with lead free zinc. The galvanisation has excellent corrosion resistance in outside environments and requires low maintenance.

Item no. COR203301-1101

Installation Information

Max. fall height	223 cm
Safety surfacing area	46.7 m ²
Total installation time	7.8
Excavation volume	1.10 m ³
Concrete volume	0.70 m ³
Footing depth (standard)	110 cm
Shipment weight	536 kg
Anchoring options	In-ground ✓

Warranty Information

Corocord (Hercules) Rope	10 years
Galvanised Steel	Lifetime
HPL Decks	15 years
Movable Parts	2 years
Spare Parts Guarantee	10 years



Sustainability Data

COR20330



Cradle to Gate A1-A3	Total CO ₂ emission	CO ₂ e/kg	Recycled materials
	kg CO ₂ e	kg CO ₂ e/kg	%
COR203301-1101	681.11	2.72	40.35

The overall framework applied for these factors is the Environmental Product Declaration (EPD), which quantifies "environmental information on the life cycle of a product and enable comparisons between products fulfilling the same function" (ISO, 2006). This follows the structure and applies a Life-Cycle Assessment approach to the entire Product stage from raw material through manufacturing (A1-A3))

Kompan A/S
 C.F. Tietgens Boulevard 32C
 DK-5220 Odense SØ
 Denmark



Verification of CO₂ calculation of: Corocord



Data version no. 2023-10-05

The CO₂ calculation and data are in compliance with the principles of a carbon footprint impact according to the GHG protocol (Greenhouse Gas Protocol), Scope 3, cradle to gate related to all individual components in the product category: "Corocord" represented by item no.: COR314011-1101.

(Scope 3 emissions include emission sources in the upstream and downstream value chain).

Date: 30. October 2023 | Valid until: 30. October 2025

Verified by:

Julie Marie Vejsgaard Larsen, LCA & EPD Consultant

Verification based on report: Validation of CO₂ calculation of 9 categories of Kompan product line, version 1.0, prepared by: Bureau Veritas HSE, Denmark: Julie M. V. Larsen.

Publication date: 30. October 2023

By Bureau Veritas HSE
 www.bureauveritas.dk
 +45 7731 1000

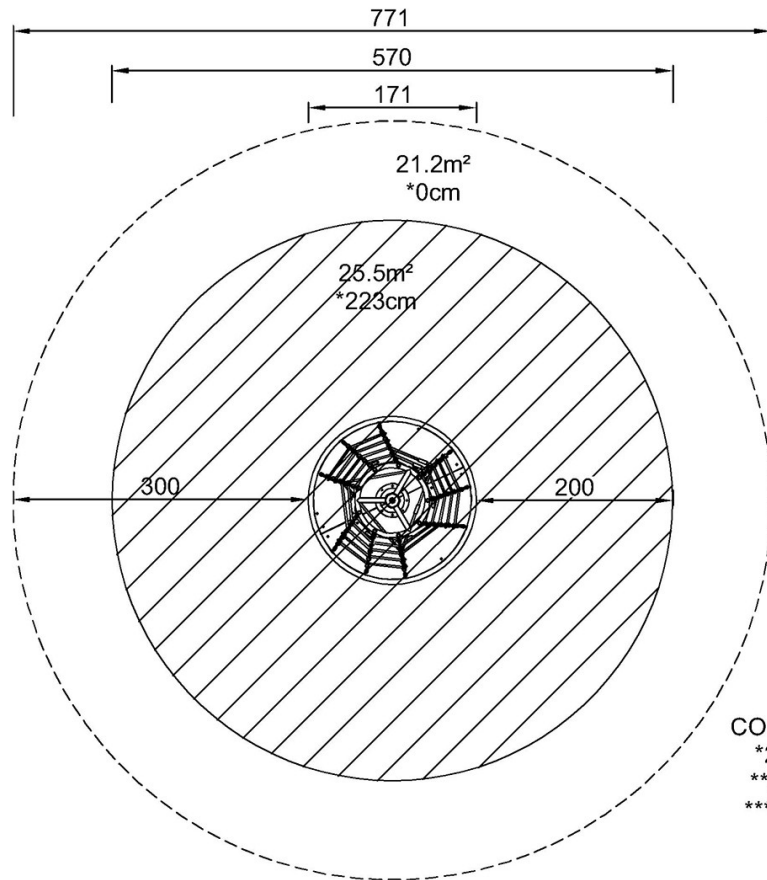


Inclusive Twister

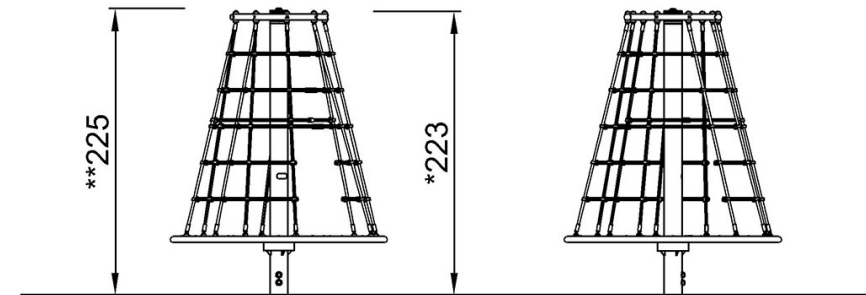
COR20330

* Max fall height | ** Total height | *** Safety surfacing area

* Max fall height | ** Total height



COR203301
*223cm
**225cm
***46.7m²



COR203301

[Click to see TOP VIEW](#)

[Click to see SIDE VIEW](#)