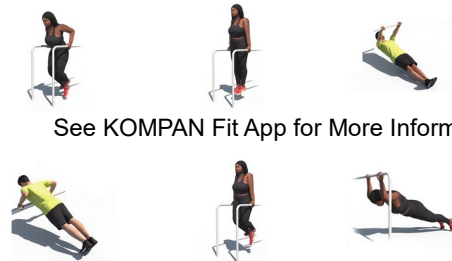


Parallel Bars Pro

FAZ104



Item no. FAZ10400-0900	
General Product Information	
Dimensions LxWxH	12'10"x3'6"x10'11"
Age group	13+
Play capacity (users)	3
Color options	



See KOMPAN Fit App for More Information



Push-ups, dips and handstands are an essential part of a Cross Training workout, a very effective form of exercise that combines the best activities of various sports resulting in diverse and complete training sessions. Over the past decade, this has grown to be a very popular fitness activity. The Parallel Bars are suitable for beginners who want to learn how to

do dips. They can start with leaning push-ups against the bar and can later move on to actual dips, which can initially be made easier by resting the feet on the additional bars. All parts where users will place their hands are covered with Polyurea coating which is highly durable against wear and tear and simultaneously gives users an outstanding grip during their

workout.

Parallel Bars Pro

FAZ104



The Polyurea Coating, used on all grips, is highly durable against wear and tear, offers isolation and simultaneously gives users an outstanding grip during their workout.



The big instruction signs are made as a sandwich construction consisting of 2 x 6mm polycarbonate sheets with clear instructions printed on the inside of the panels. This gives a vandalism proof construction.



The product offers two sets of parallel bars $\varnothing 48.3 \times 4\text{mm}$, three different heights (104, 114 and 124cm) and four lower side bars $\varnothing 33.7 \times 3\text{mm}$. Combined these 6 bars offer a wide variety of training options.

Item no. FAZ10400-0900	
Installation Information	
Max. fall height	4'1"
Safety surfacing area	154ft ²
Total installation time	6.8
Excavation volume	1.1yd ³
Concrete volume	0.55yd ³
Footing depth (standard)	2'11"
Shipment weight	829lbs
Anchoring options	In-ground <input checked="" type="checkbox"/> Surface <input checked="" type="checkbox"/>
Warranty Information	
Coated steel parts	10 Years
PUR components	10 Years
Signs	10 Years
Spare Parts Availability	10 Years



All Steel components are made from carbon steel, with a hot-dip galvanized surface according to ISO1461, and a powder coating corrosion class C3 according to ISO12944-2. Lead content for surfaces is below 90ppm, and below 100ppm for base material.



For ensuring the integrity of the main frame, the orange colored main posts are made of $\varnothing 101.6 \times 3\text{mm}$ steel posts, which are hot dip galvanized and powder coated Orange (RAL2010). The supportive posts receive the same surface treatment and are made of $\varnothing 76.1 \times 3.6\text{mm}$ steel tubes, powder coated grey (RAL7012).



All KOMPAN fitness products are compliant with the ASTM F3101 & EN16630 Outdoor Fitness Standards. Load tests are performed as a static test by adding dynamic factors as well as safety factors to the specified load of 78kg per user. A product intended for 1 user is loaded with 420kg.

**ASTM
F3101
compliant**

Sustainability Data

FAZ104



Cradle to Gate A1-A3	Total CO ₂ emission	CO ₂ e/kg	Recycled materials
	kg CO ₂ e	kg CO ₂ e/kg	%
FAZ10400-0900	940.07	2.86	46.50

The overall framework applied for these factors is the Environmental Product Declaration (EPD), which quantifies "environmental information on the life cycle of a product and enable comparisons between products fulfilling the same function" (ISO, 2006). This follows the structure and applies a Life-Cycle Assessment approach to the entire Product stage from raw material through manufacturing (A1-A3))

Kompan A/S
 C.F. Tietgens Boulevard 32C
 DK-5220 Odense SØ
 Denmark



Verification of CO₂ calculation of: Fitness



Data version no. 2023-10-05

The CO₂ calculation and data are in compliance with the principles of a carbon footprint impact according to the GHG protocol (Greenhouse Gas Protocol), Scope 3, cradle to gate related to all individual components in the product category: "Fitness" represented by item no.: FAZ10100-0900.

(Scope 3 emissions include emission sources in the upstream and downstream value chain).

Date: 30. October 2023 | Valid until: 30. October 2025

Verified by:

Julie Marie Vejsgaard Larsen, LCA & EPD Consultant

Verification based on report: Validation of CO₂ calculation of 9 categories of Kompan product line, version 1.0, prepared by: Bureau Veritas HSE, Denmark: Julie M. V. Larsen.

Publication date: 30. October 2023

By Bureau Veritas HSE
 www.bureauveritas.dk
 +45 7731 1000

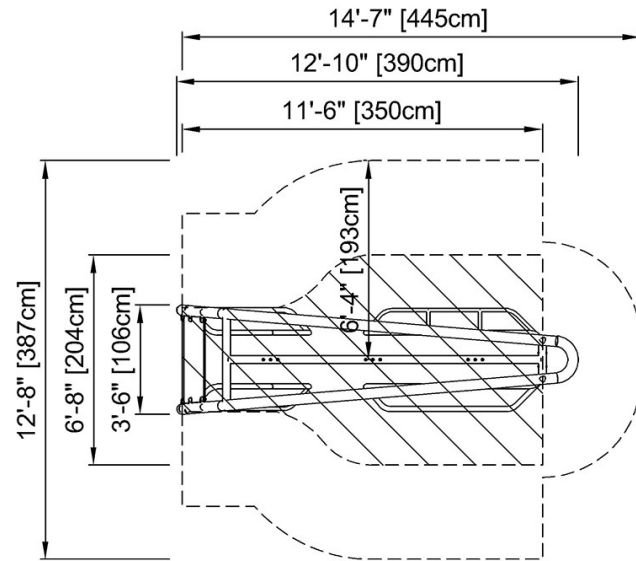


Parallel Bars Pro

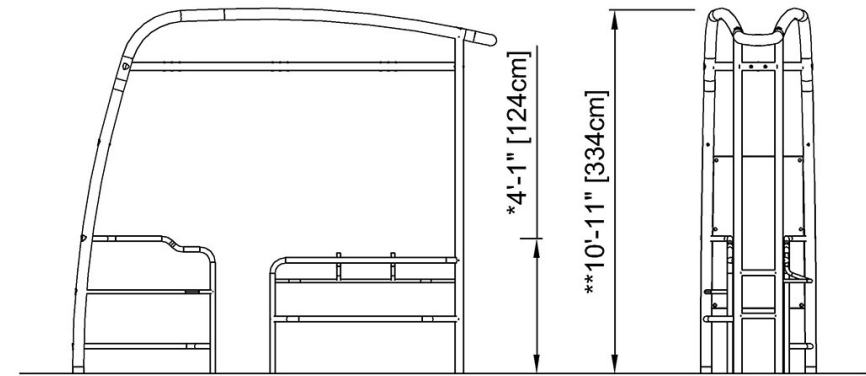
FAZ104

* Max fall height | ** Total height | *** Safety surfacing area

* Max fall height | ** Total height



FAZ10400
* 4'-1" / 124cm
** 10'-11" / 334cm
*** 154ft² / 14.3m²



FAZ10400

[Click to see TOP VIEW](#)

[Click to see SIDE VIEW](#)