

Giant 360 Swing with Nest

M983



Item no. M98301-1009	
General Product Information	
Dimensions LxWxH	651x750x454 cm
Age group	6+
Play capacity (users)	7
Color options	●



The Giant Swing is an awe-inspiring piece that attracts children like a magnet. The multiple directions of swinging high awake the sense of wonder and causes the children to return time and time again. The spacious swing basket has room for many children to be seated, standing, or lying down. This makes the seat usable for all, with or without assistance. The wild

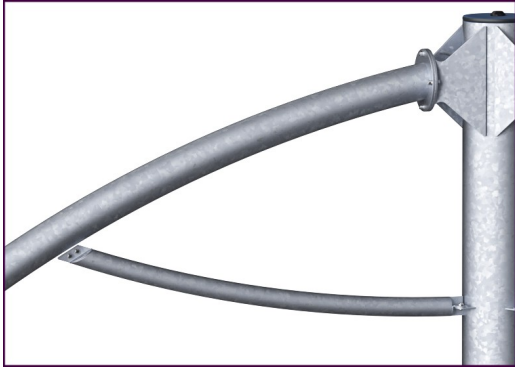
swinging movements of the Giant swing train a child's sense of balance and space. These motor skills are fundamental for body awareness and spatial judgement, for instance when navigating securely in traffic. The major muscles get trained and bone density is increased when pushing, pulling and jumping off the Giant Swing. Social skills are improved

when children negotiate and cooperate on the direction of swinging and in showing consideration for the limits of others.

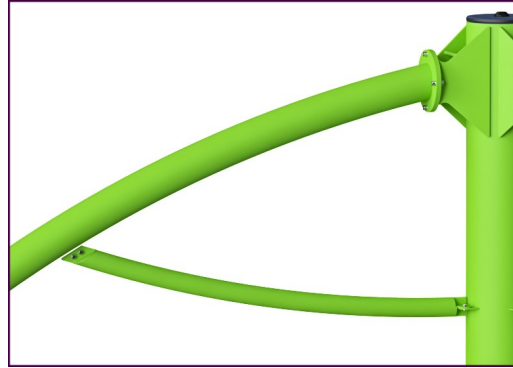


Giant 360 Swing with Nest

M983



The steel surfaces are hot dip galvanised inside and outside with lead free zinc. The galvanisation has excellent corrosion resistance in outside environments and requires low maintenance.

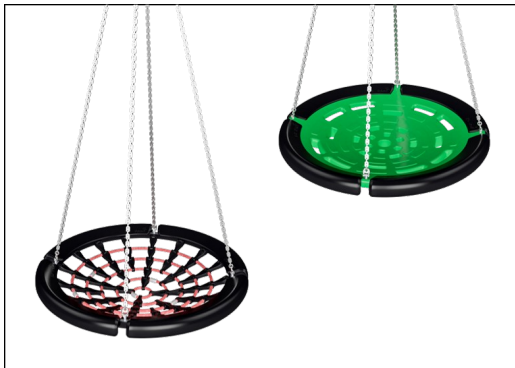


Powder coated top finish on top of galvanisation is processed in two steps: Light grinding and clean sweeping, powder coating - thickness 70-120 µm.



Unique designed 360-degree rotating swing hanger made of stainless steel. The moving parts of the swing hanger is lifetime sealed and lubricated. The hanger system is equipped with a safety chain to prevent the swing hanger to fall down if damaged.

Item no. M98301-1009	
Installation Information	
Max. fall height	179 cm
Safety surfacing area	61.4 m ²
Total installation time	9.1
Excavation volume	1.10 m ³
Concrete volume	0.65 m ³
Footing depth (standard)	102 cm
Shipment weight	682 kg
Anchoring options	In-ground ✓ Surface ✓



KOMPAN designed the bird's nest seats to be light in weight and in compliance with global safety standards. The soft, shock absorbent bumpers with non-slip surface makes the swing seat extremely user friendly. Choose between a rope version with reinforced PA rope or a moulded PE version. Both equipped with soft rubber bumpers.



The seat suspensions are available in stainless steel chain or rope. The ropes are made of UV-stabilised PA with inner steel cable reinforcement. The rope is induction treated in order to create a strong connection between steel and rope which leads to good wear resistance.



The Giant Swing is available in multiple combinations through the digital KOMPAN product configurator: Galvanised steel with optional powder coated top finish in lime green colour, Rope or stainless-steel chain suspensions, In-ground or surface anchoring and rope or shell Birds Nets seat



Sustainability Data

M983



Cradle to Gate A1-A3	Total CO ₂ emission	CO ₂ e/kg	Recycled materials
	kg CO ₂ e	kg CO ₂ e/kg	%
M98301-1009	1,499.10	2.78	48.20

The overall framework applied for these factors is the Environmental Product Declaration (EPD), which quantifies "environmental information on the life cycle of a product and enable comparisons between products fulfilling the same function" (ISO, 2006). This follows the structure and applies a Life-Cycle Assessment approach to the entire Product stage from raw material through manufacturing (A1-A3))

Kompan A/S
 C.F. Tietgens Boulevard 32C
 DK-5220 Odense SØ
 Denmark



Verification of CO₂ calculation of: Freestanding play equipment



Data version no. 2023-10-05

The CO₂ calculation and data are in compliance with the principles of a carbon footprint impact according to the GHG protocol (Greenhouse Gas Protocol), Scope 3, cradle to gate related to all individual components in the product category: "Freestanding play equipment" represented by item no.: KSW92011-0910.

(Scope 3 emissions include emission sources in the upstream and downstream value chain).

Date: 30. October 2023 | Valid until: 30. October 2025

Verified by:

Julie Marie Vejsgaard Larsen, LCA & EPD Consultant

Verification based on report: Validation of CO₂ calculation of 9 categories of Kompan product line, version 1.0, prepared by: Bureau Veritas HSE, Denmark: Julie M. V. Larsen.

Publication date: 30. October 2023

By Bureau Veritas HSE
 www.bureauveritas.dk
 +45 7731 1000

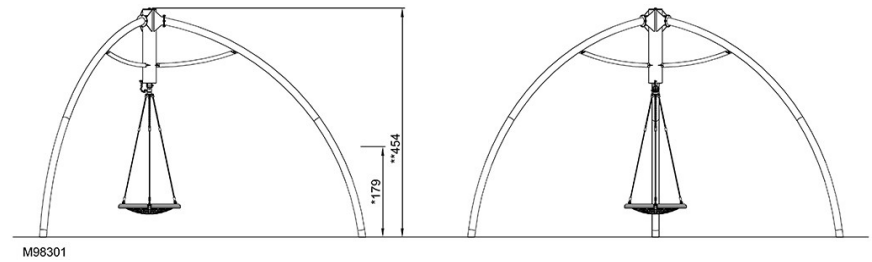
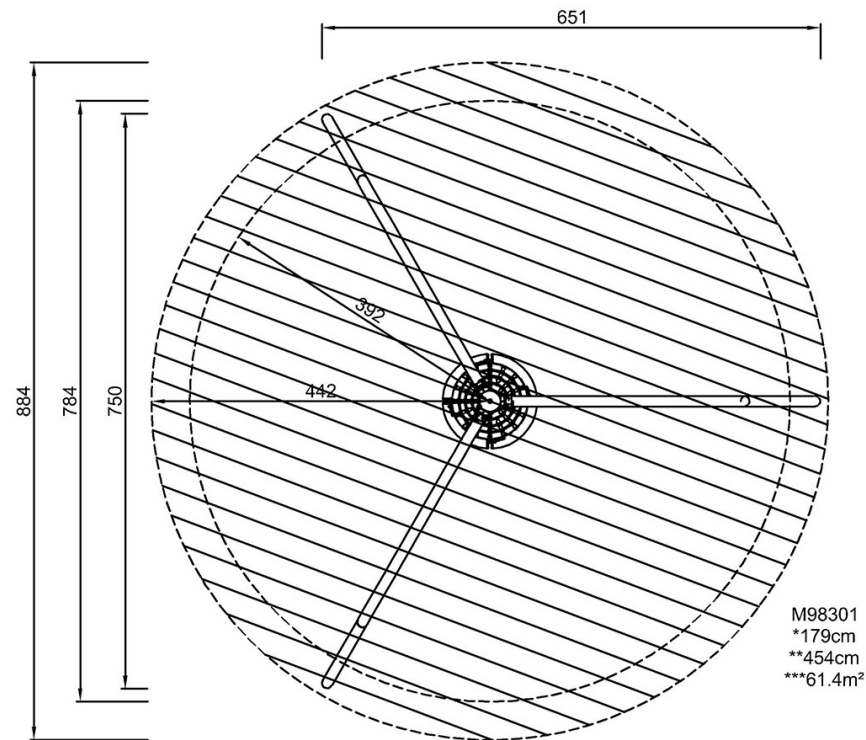


Giant 360 Swing with Nest

M983

* Max fall height | ** Total height | *** Safety surfacing area

* Max fall height | ** Total height



[Click to see TOP VIEW](#)

[Click to see SIDE VIEW](#)