

# Trader

PCE50321



Item no. PCE50321-0603	
<b>General Product Information</b>	
Dimensions LxWxH	179x176x303 cm
Age group	1+
Play capacity (users)	6
Color options	



The Trader, with its fine enclosed play space, is an opportunity for quieter play. The panels support sand play, and the sand-transporting funnels stimulate the child's understanding of object permanence: although you can't see something, like sand in a pipe, the sand is still there. The sand scoop panel adds activities for fine motor skills, but also trains logical thinking.

When positioned correctly sand can be shifted from one scoop to the next. The fun climb panel invites shifting things through holes, but also adds a low climb-and-crawl over activity, creating two spaces: the inside and outside. The three sides have different heights, generating varied points for social interaction. The Trader can be used by many children, on

the inside as well as outside.

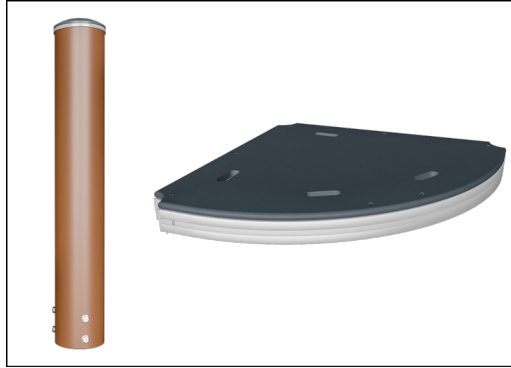


# Trader

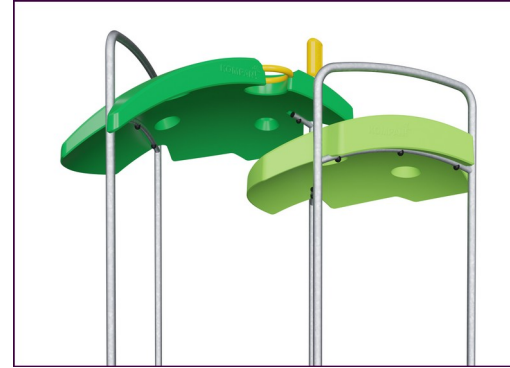
PCE50321



The Curved ELEMENTS panels are moulded of UV stabilised recyclable PE using 33% post-consumer recycled material. With multiple options for in-build play features that also ensures a strong panel solution. Straight panels are made of KOMPAN 19mm HDPE EcoCore™ which is a highly durable, ecofriendly and recyclable material made from +95% PCM.



ELEMENTS decks are made of 17.8mm thick HPL supported by a unique designed aluminum frame with multiple attachment options by usage of aluminum connectors. The main posts are made of high quality pre-galvanised steel with powder coated top finish. Post tops are closed with caps of UV stabilised nylon (PA6).



The ELEMENTS roofs are made of recyclable PE made from 33% post consumer recycled materials with a minimum wall thickness of 5 mm to ensure high durability in all climates around the world. The steel pipes are hot dip galvanised inside and outside for maximum durability.



ELEMENTS products are available in three different colour combinations: classic blue & green, blossom orange & yellow, nature lime and green.

Item no. PCE50321-0603

### Installation Information

Max. fall height	46 cm
Safety surfacing area	17.1 m <sup>2</sup>
Total installation time	7.5
Excavation volume	0.09 m <sup>3</sup>
Concrete volume	0.04 m <sup>3</sup>
Footing depth (standard)	60 cm
Shipment weight	166 kg
Anchoring options	Surface ✓ In-ground ✓



# Sustainability Data

PCE50321



Cradle to Gate A1-A3	Total CO <sub>2</sub> emission	CO <sub>2</sub> e/kg	Recycled materials
	kg CO <sub>2</sub> e	kg CO <sub>2</sub> e/kg	%
<b>PCE50321-0603</b>	328.60	2.54	46.80

The overall framework applied for these factors is the Environmental Product Declaration (EPD), which quantifies "environmental information on the life cycle of a product and enable comparisons between products fulfilling the same function" (ISO, 2006). This follows the structure and applies a Life-Cycle Assessment approach to the entire Product stage from raw material through manufacturing (A1-A3))

**Kompan A/S**  
C.F. Tietgens Boulevard 32C  
DK-5220 Odense SØ  
Denmark



## Verification of CO<sub>2</sub> calculation of: Play systems



Data version no. 2023-10-05

The CO<sub>2</sub> calculation and data are in compliance with the principles of a carbon footprint impact according to the GHG protocol (Greenhouse Gas Protocol), Scope 3, cradle to gate related to all individual components in the product category: "Play systems" represented by item no.: PCM200321-0950.

(Scope 3 emissions include emission sources in the upstream and downstream value chain).

**Date: 30. October 2023 | Valid until: 30. October 2025**

**Verified by:**

Julie Marie Vejsgaard Larsen, LCA & EPD Consultant

Verification based on report: Validation of CO<sub>2</sub> calculation of 9 categories of Kompan product line, version 1.0, prepared by: Bureau Veritas HSE, Denmark: Julie M. V. Larsen.

**Publication date: 30. October 2023**

**By Bureau Veritas HSE**  
www.bureauveritas.dk  
+45 7731 1000

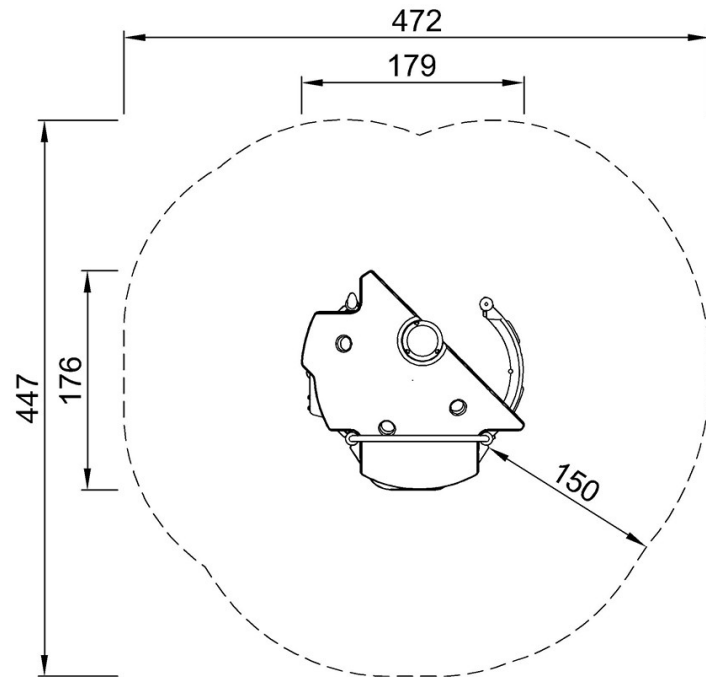


# Trader

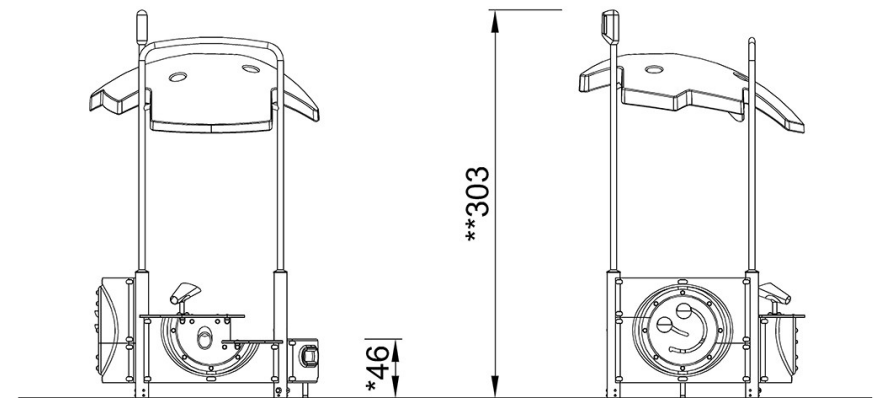
PCE50321

\* Max fall height | \*\* Total height | \*\*\* Safety surfacing area

\* Max fall height | \*\* Total height



PCE50321  
\*\*46cm  
\*\*303cm  
\*\*\*17.1m<sup>2</sup>



PCE50321

[Click to see TOP VIEW](#)

[Click to see SIDE VIEW](#)