

# Villa Playhouse

M7000



Item no. M700078-3518P

### General Product Information

Dimensions LxWxH	185x132x146 cm
Age group	6m+
Play capacity (users)	12
Color options	



With its multitude of benches, tables and play surfaces this playhouse certainly lives up to all modern requirements. The open ends and walls widen the play space, making room for lots of children to play from the inside and outside. There is even a corner bench on the veranda that is big enough to allow an adult to join in the world of Let's Pretend. There are

many elements that promote social interaction including the desks, porch seat and the split level table on the outside gives an extra dimension to the game. The red house encourages children's to role play and the manipulative elements that can be shifted and turned stimulate the understanding of cause and effect and the child's cognitive

development.



# Villa Playhouse

M7000



## Bench

**Social-Emotional:** gathering, cooperating or taking a break from play - all train social skills.



## Theme

**Cognitive:** suggests a theme and supports dramatic play, which stimulates language and communication skills.



## Sand bowl in desk

**Social-Emotional:** meeting point for cooperation and sharing. **Cognitive:** construction play storage – playing with sand here promotes thinking skills.



## Triangle in groove

**Cognitive:** cause and effect understanding when manipulating the triangle. **Creative:** leave a mark and place the triangle at different positions.

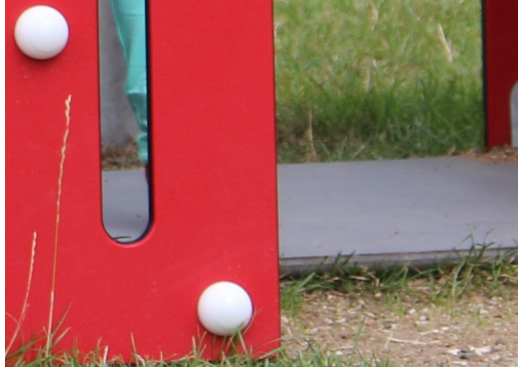


## Turning wheel

**Social-Emotional:** develops turn-taking, communication and cooperation. **Cognitive:** the manipulative item stimulates cause and effect understanding, logical thinking and communication. **Creative:** working with moveable play items that can leave a mark supports the child's creativity.

# Villa Playhouse

M7000



All floors are made of High Pressure Laminate HPL with a thickness 17.8mm and non skid surface texture according to EN 438-6. KOMPAN HPL has high wearing strength to ensure long lifetime in all climates.



Panels of 19mm EcoCore™. EcoCore™ is a highly durable, eco friendly material, which is not only recyclable after use, but also consists of material produced from +95% recycled post consumer material from food packing waste.



The steel surfaces are hot dip galvanised inside and outside with lead free zinc. The galvanisation has excellent corrosion resistance in outside environments and requires low maintenance.

Item no. M700078-3518P

### Installation Information

Max. fall height	32 cm
Safety surfacing area	17.4 m <sup>2</sup>
Total installation time	7.5
Excavation volume	0.21 m <sup>3</sup>
Concrete volume	0.00 m <sup>3</sup>
Footing depth (standard)	67 cm
Shipment weight	207 kg
Anchoring options	In-ground ✓ Surface ✓

### Warranty Information

EcoCore HDPE	Lifetime
Hot dip galvanised steel	Lifetime
HPL decks	15 years
Movable parts	2 years
Spare parts guaranteed	10 years



The control unit placed on the front of the play house is turn able to different positions with a click sound. It's designed to function as a train station when installed together with M525+M526 Train & Wagon.



KOMPAN GreenLine versions are designed with ultimate environmentally friendly materials with lowest possible CO2e emission factor such as EcoCore™ panels of +95% post consumer recycled ocean waste.



# Sustainability Data

M7000



Cradle to Gate A1-A3	Total CO <sub>2</sub> emission	CO <sub>2</sub> e/kg	Recycled materials
	kg CO <sub>2</sub> e	kg CO <sub>2</sub> e/kg	%
<b>M700078-3518P</b>	223.50	1.45	70.33

The overall framework applied for these factors is the Environmental Product Declaration (EPD), which quantifies "environmental information on the life cycle of a product and enable comparisons between products fulfilling the same function" (ISO, 2006). This follows the structure and applies a Life-Cycle Assessment approach to the entire Product stage from raw material through manufacturing (A1-A3))

**Kompan A/S**  
 C.F. Tietgens Boulevard 32C  
 DK-5220 Odense SØ  
 Denmark



## Verification of CO<sub>2</sub> calculation of: Themed play systems



Data version no. 2023-10-05

The CO<sub>2</sub> calculation and data are in compliance with the principles of a carbon footprint impact according to the GHG protocol (Greenhouse Gas Protocol), Scope 3, cradle to gate related to all individual components in the product category: "Themed play systems" represented by item no.: MSC641100-3717P.

(Scope 3 emissions include emission sources in the upstream and downstream value chain).

**Date: 30. October 2023 | Valid until: 30. October 2025**

Verified by:

Julie Marie Vejsgaard Larsen, LCA & EPD Consultant

Verification based on report: Validation of CO<sub>2</sub> calculation of 9 categories of Kompan product line, version 1.0, prepared by: Bureau Veritas HSE, Denmark: Julie M. V. Larsen.

**Publication date: 30. October 2023**

By Bureau Veritas HSE  
 www.bureauveritas.dk  
 +45 7731 1000

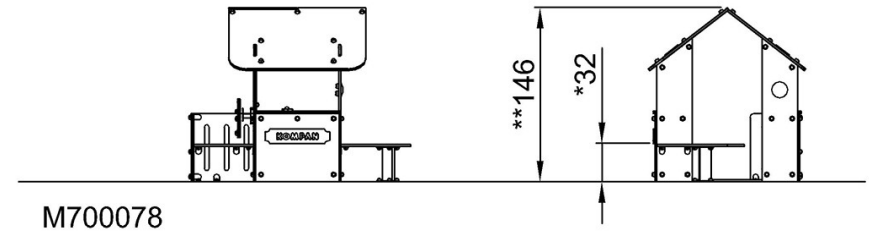
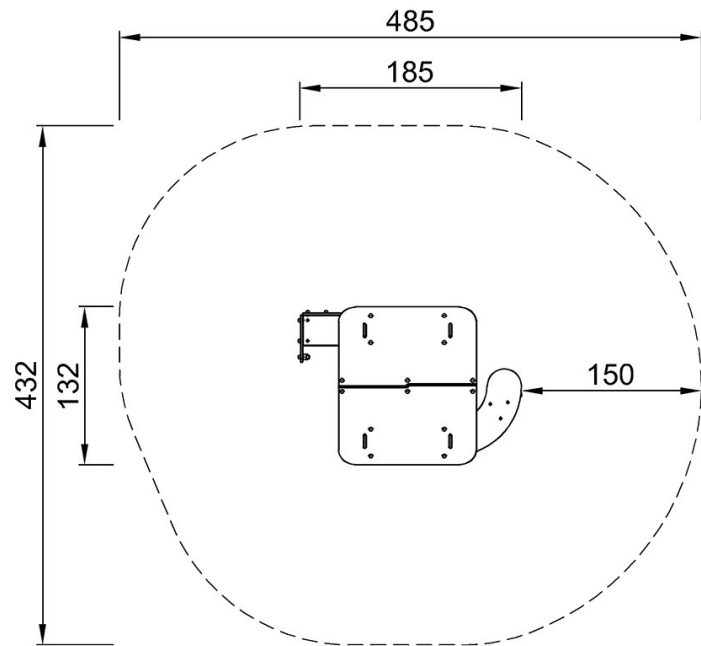


# Villa Playhouse

M7000

\* Max fall height | \*\* Total height | \*\*\* Safety surfacing area

\* Max fall height | \*\* Total height



[Click to see TOP VIEW](#)

[Click to see SIDE VIEW](#)