

Incline Press

FPW206



产品编号 FPW20600-0900	
产品信息概览	
长宽高尺寸	120x11x240 cm
适用年龄段	8+
容纳人数	1
颜色选择	

Street workout is a physical activity that symbolises the freedom of movement and encourages socializing. It is a combination of athletics, calisthenics and other sports, and mostly performed in the public space. The incline press is specifically designed for beginners that are having a hard time with push ups and pull ups. The side handles offer

different positions and heights to place hands or feet, allowing the user to decrease and increase own bodyweight while performing exercises like push ups. The top bar makes it possible to do many more exercises. From pull ups where you train the upper body to knee raises that work your abdominal muscles.

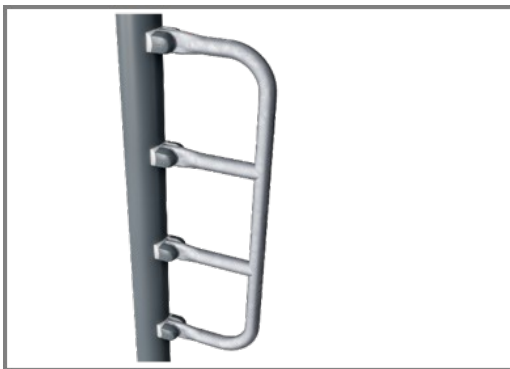


Incline Press

FPW206



立柱由 $\text{Ø}101.6 \times 2\text{mm}$ 制成，预镀锌碳钢，粉末涂层，可在所有情况下提供出色的保护。



FSW 209 的特点是在 3 个高度上有 3 个 $38 \times 2\text{mm}$ 的俯卧撑支杆，分别为 38cm, 58cm 和 133cm。



连接器是由压铸铝，适合户外环境和高频率使用。连接的螺丝是不锈钢的，并由锌垫圈保护。

产品编号 FPW20600-0900

安装信息

最大跌落高度	233 cm
安全面积	18.5 m ²
安装总时长	2.6
开挖量	0.35 m ³
混凝土使用量	0.19 m ³
标准入地深度	90 cm
运输重量	81 kg
固定选项	入地 ✓ 地表 ✓

质保信息

接口	10 年
镀锌钢结构	终身质保
立柱	10 年
承保零部件	10 年



Sustainability Data

FPW206



从原材料到成品

CO₂ 排放总量

kg CO₂e

CO₂ 排放量 / 千克

kg CO₂e/kg

回收的原料

%

FPW20600-0900

82.15

1.88

70.08

这些因素采用的总体框架为环保产品声明 (EPD), 该声明可量化“产品生命周期的环保信息, 并对相同功能的产品进行对比”(ISO, 2006)。在遵循该框架的同时, 对从原材料到制造的整个产品阶段 (A1-A3) 应用生命周期评估法。

Kompan A/S

C.F. Tietgens Boulevard 32C
DK-5220 Odense SØ
Denmark



Verification of CO₂ calculation of: Fitness



Data version no. 2023-10-05

The CO₂ calculation and data are in compliance with the principles of a carbon footprint impact according to the GHG protocol (Greenhouse Gas Protocol), Scope 3, cradle to gate related to all individual components in the product category: "Fitness" represented by item no.: FAZ10100-0900.

(Scope 3 emissions include emission sources in the upstream and downstream value chain).

Date: 30. October 2023 | Valid until: 30. October 2025

Verified by:

Julie Marie Vejsgaard Larsen, LCA & EPD Consultant

Verification based on report: Validation of CO₂ calculation of 9 categories of Kompan product line, version 1.0, prepared by: Bureau Veritas HSE, Denmark: Julie M. V. Larsen.

Publication date: 30. October 2023

By Bureau Veritas HSE
www.bureauveritas.dk
+45 7731 1000

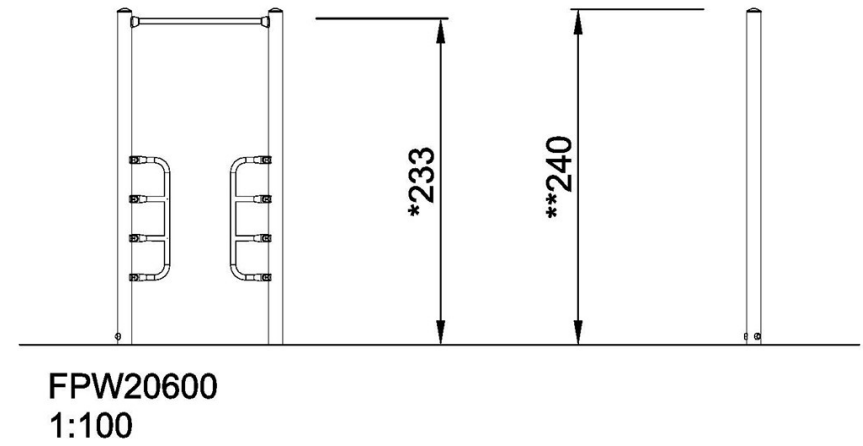
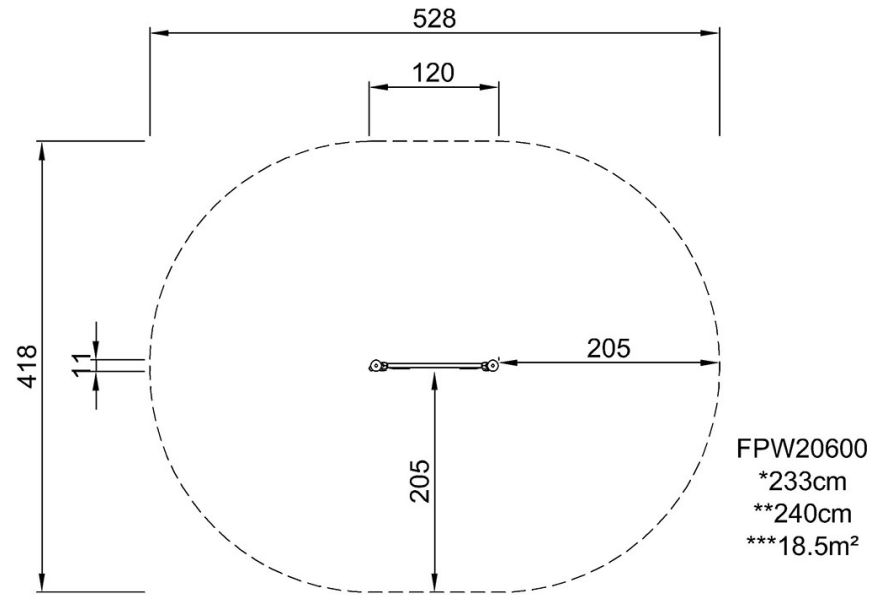


Incline Press

FPW206

最大跌落高度 | 总高度 | 安全区域

最大跌落高度 | 总高度



[点击查看俯视图](#)

[点击查看侧面图](#)