

Donkey Ride

NAT101



The Donkey Ride makes children smile and want to try it, and they will not be disappointed: the Donkey is multifunctional; children can choose between rubber handholds or a handhold bar, depending on which way they turn. Ample foot support is provided in both directions, so two children can easily be seated together, rocking the Donkey Ride from each

direction. Rocking on the Donkey Ride trains important motor skills such as balance and coordination, which are important for movement control. When children stem their feet against the foot support and hold tight to the handholds or bars, they train the main muscle groups. But not least, playing with a friend on the Donkey Ride trains cooperation

and turn-taking skills. These are important socio-emotional skills that help children make friends.



Item no. NAT101-0412

General Product Information

Dimensions LxWxH	44x81x67 cm
Age group	2+
Play capacity (users)	1
Colour options	



Donkey Ride

NAT101



Handhold

Physical: the vertical handgrips ensure a firm grip at different heights, necessary for rocking intensely. This trains hand and arm muscles.



Rocking spring

Physical: response to movements adds to spatial awareness and sense of balance. These are fundamental motor skills that help the child's ability to sit still on a chair which takes a good sense of balance. **Cognitive:** trains the understanding of cause and effect: when I move my body, the spring responds with movement.



Foot support

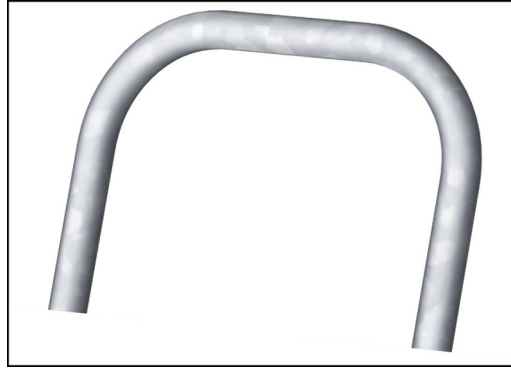
Physical: the possibility of footrest supports intensive rocking. Rocking stimulates the senses of balance and space that are fundamental in managing the world securely.

Donkey Ride

NAT101



Posts and boards are made of pine wood from sustainable European sources. The wood is pressure impregnated Class 3 with Tanalith E3475 according to EN335 (Equivalent to NTR Class AB). On request it can be supplied as FSC® Certified (FSC® C004450).



The steel surfaces are hot dip galvanized inside and outside with lead free zinc. The galvanization has excellent corrosion resistance in outside environments and requires low maintenance.



KOMPAN Springs are made of high quality spring steel according to EN10270. The springs are cleaned by phosphating before they are painted with an epoxy primer and a polyester powder coating as top finish. The springs are fixed by unique anti pinch fittings for maximum safety and long lifetime.



The teardrop handle has been designed in shape and diameter so as to fit optimally for older kids, and the special thermoplastic rubber (TPV) rubber surface makes it nice to touch.

Item no. NAT101-0412	
Installation Information	
Max. fall height	60 cm
Safety surfacing area	7.5 m ²
Total installation time	2.0
Excavation volume	0.21 m ³
Concrete volume	0.00 m ³
Footing depth (standard)	43 cm
Shipment weight	37 kg
Anchoring options	In-ground ✓ Surface ✓
Warranty Information	
Handle	10 years
Hot dip galvanised steel	Lifetime
Pinewood	10 years
Spare parts guaranteed	10 years
Springs	5 years



Sustainability Data

NAT101



Cradle to Gate A1-A3	Total CO ₂ emission	CO ₂ e/kg	Recycled materials
	kg CO ₂ e	kg CO ₂ e/kg	%
NAT101-0412	80.41	2.46	37.99

The overall framework applied for these factors is the Environmental Product Declaration (EPD), which quantifies "environmental information on the life cycle of a product and enable comparisons between products fulfilling the same function" (ISO, 2006). This follows the structure and applies a Life-Cycle Assessment approach to the entire Product stage from raw material through manufacturing (A1-A3))

Kompan A/S
C.F. Tietgens Boulevard 32C
DK-5220 Odense SØ
Denmark



Verification of CO₂ calculation of: Nature play



Data version no. 2023-10-05

The CO₂ calculation and data are in compliance with the principles of a carbon footprint impact according to the GHG protocol (Greenhouse Gas Protocol), Scope 3, cradle to gate related to all individual components in the product category: "Nature play" represented by item no.: NRO409-0621.

(Scope 3 emissions include emission sources in the upstream and downstream value chain).

Date: 30. October 2023 | Valid until: 30. October 2025

Verified by:

Julie Marie Vejsgaard Larsen, LCA & EPD Consultant

Verification based on report: Validation of CO₂ calculation of 9 categories of Kompan product line, version 1.0, prepared by: Bureau Veritas HSE, Denmark: Julie M. V. Larsen.

Publication date: 30. October 2023

By Bureau Veritas HSE
www.bureauveritas.dk
+45 7731 1000

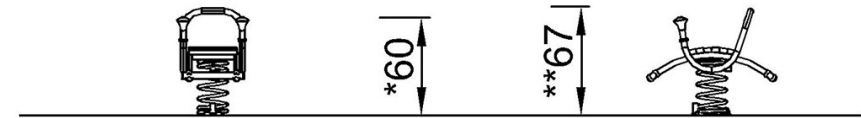
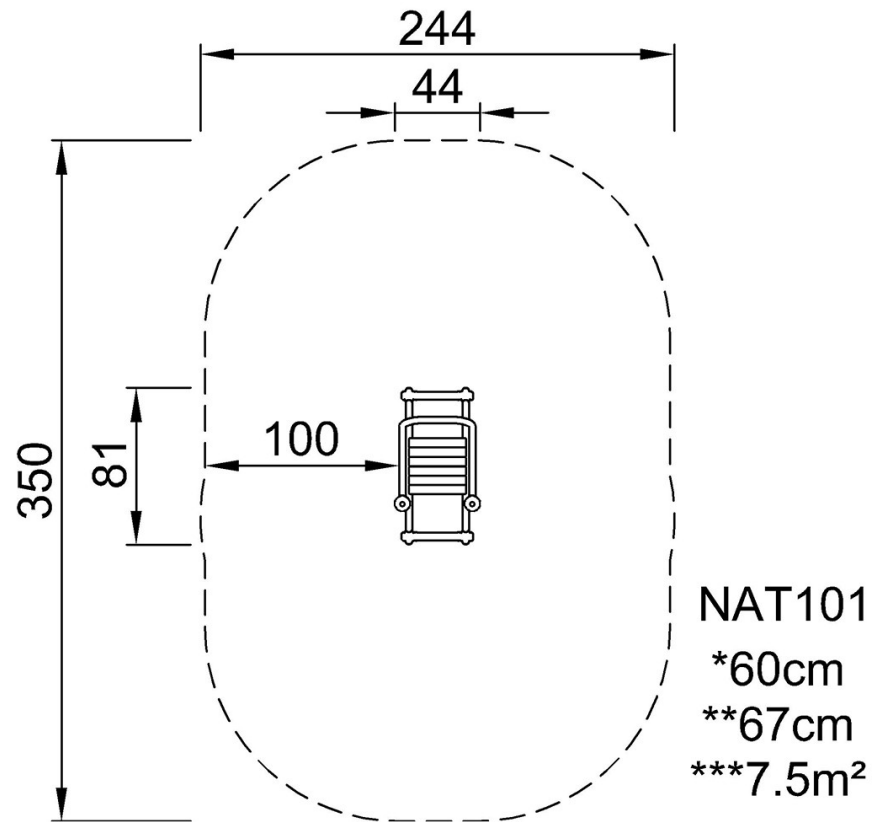


Donkey Ride

NAT101

* Max fall height | ** Total height | *** Safety surfacing area

* Max fall height | ** Total height



NAT101

[Click to see TOP VIEW](#)

[Click to see SIDE VIEW](#)