


Playhouse with Desk

KPL403



Item no. KPL40311-0601

General Product Information

Dimensions LxWxH	120x99x164 cm
Age group	6m+
Play capacity (users)	4
Colour options	



This open playhouse offers an excellent framework for meeting and engaging, playing shop or whatever fits the child's imaginative play. Meeting and engaging are important for the child's social development, and role play is important for the child's development of cognitive skills, especially language development.



Playhouse with Desk

KPL403



Desk

Social-Emotional: fine meeting place and a space creator. Sharing and cooperation from both sides create a social scenario that supports communication and cooperation.



Theme

Cognitive: suggests a theme and supports dramatic play, which stimulates language and communication skills.

Playhouse with Desk

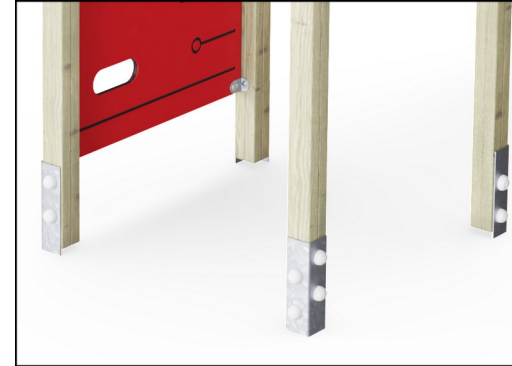
KPL403



Panels of 19mm EcoCore™. EcoCore™ is a highly durable, eco friendly material, which is not only recyclable after use, but also consists of material produced from +95% recycled post consumer material from food packing waste.



The main tower posts are available in two types of material: European pine wood posts, pressure impregnated Class 3 with Tanalith E3475 according to EN335 (Equivalent to NTR Class AB). Aluminum post t=2mm with anodized surface treatment. Base material EN AW-6060 T66.



The main posts are equipped with hot dip galvanised steel footings. The steel footings elevates the posts 20mm from ground level to avoid contact with surfacing material.

Item no. KPL40311-0601

Installation Information

Max. fall height	0 cm
Safety surfacing area	12.1 m ²
Total installation time	4.4
Excavation volume	0.22 m ³
Concrete volume	0.00 m ³
Footing depth (standard)	60 cm
Shipment weight	91 kg
Anchoring options	In-ground ✓ Surface ✓

Warranty Information

Aluminum	15 years
EcoCore HDPE	Lifetime
Hollow PE parts	10 years
Pinewood	10 years
Spare parts guaranteed	10 years



Sustainability Data

KPL403



Cradle to Gate A1-A3	Total CO ₂ emission	CO ₂ e/kg	Recycled materials
	kg CO ₂ e	kg CO ₂ e/kg	%
KPL40311-0601	103.61	1.46	40.25

The overall framework applied for these factors is the Environmental Product Declaration (EPD), which quantifies "environmental information on the life cycle of a product and enable comparisons between products fulfilling the same function" (ISO, 2006). This follows the structure and applies a Life-Cycle Assessment approach to the entire Product stage from raw material through manufacturing (A1-A3))

Kompan A/S
 C.F. Tietgens Boulevard 32C
 DK-5220 Odense SØ
 Denmark



Verification of CO₂ calculation of: Play systems



Data version no. 2023-10-05

The CO₂ calculation and data are in compliance with the principles of a carbon footprint impact according to the GHG protocol (Greenhouse Gas Protocol), Scope 3, cradle to gate related to all individual components in the product category: "Play systems" represented by item no.: PCM200321-0950.

(Scope 3 emissions include emission sources in the upstream and downstream value chain).

Date: 30. October 2023 | Valid until: 30. October 2025

Verified by:

Julie Marie Vejsgaard Larsen, LCA & EPD Consultant

Verification based on report: Validation of CO₂ calculation of 9 categories of Kompan product line, version 1.0, prepared by: Bureau Veritas HSE, Denmark: Julie M. V. Larsen.

Publication date: 30. October 2023

By Bureau Veritas HSE
 www.bureauveritas.dk
 +45 7731 1000

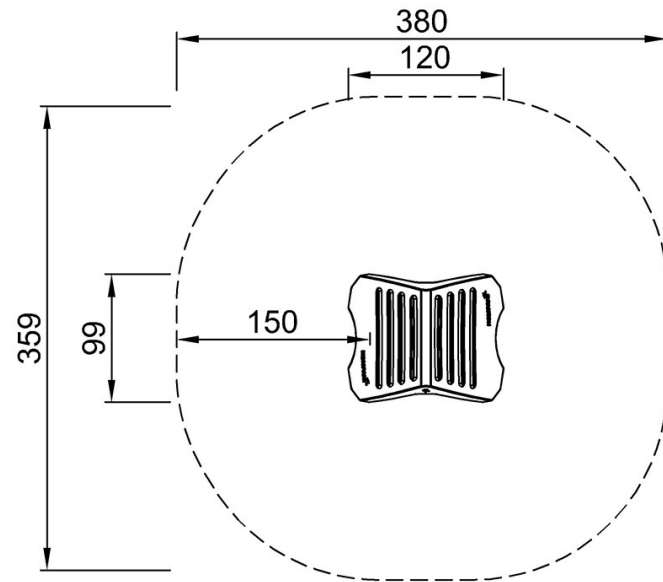


Playhouse with Desk

KPL403

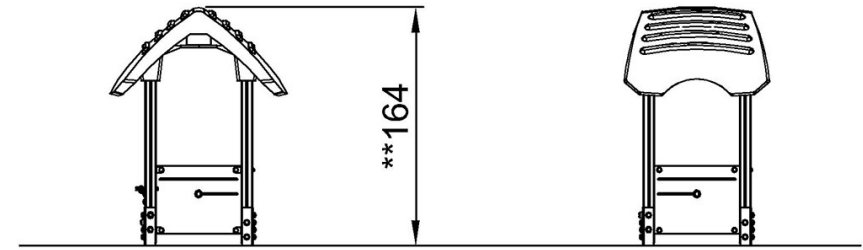
* Max fall height | ** Total height | *** Safety surfacing area

* Max fall height | ** Total height



KPL40312

**164cm
***12.1m²



KPL40312

[Click to see TOP VIEW](#)

[Click to see SIDE VIEW](#)