

# Hill Climber Rope

CRP630101

**KOMPAN**  
Let's play



The fun of fundamentals make children play again and again: the Hill Climber invites and supports grappelling up steep hills. The wonderful combination of stemming the feet onto the hill, holding tight to the rope and leaning back, walking upwards is a repeatedly thrilling experience. Apart from being great fun, the combination of movement also provides

great gross motor and muscle training. Hands, arms and upper body get trained when gripping the perfectly sized rope, legs get trained walking upwards, and core muscles are put to work when leaning back, tensioning the core. The motor skill training is intense: the spatial awareness, the sense of balance and the coordination come to full use. This stimulates

the overall motor confidence of the child and helps train the ability to e.g. judge distances – important in street traffic.

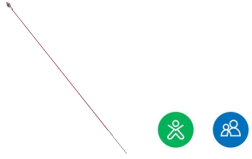


产品编号 CRP630101-0901	
产品信息概览	
长宽高尺寸	261x17x137 cm
适用年龄段	3+
容纳人数	2
颜色选择	



# Hill Climber Rope

CRP630101



## Hill climber rope

**身体素质：**训练交叉协调能力、平衡感和肌肉力量。交叉协调能力还能刺激跨模式感知，这是阅读等技能所必需的。**社交情感：**children cooperate when rappelling together.



# Hill Climber Rope

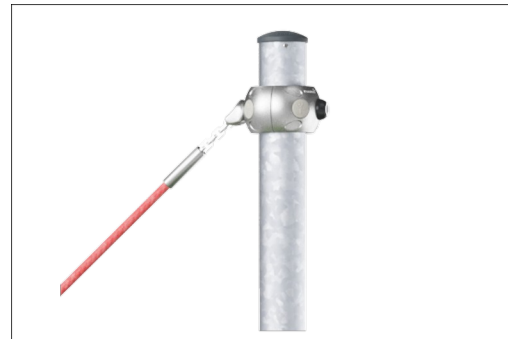
CRP630101



直径大于等于 19mm 的 Corocord 绳索是特殊的“大力神”型镀锌六股钢丝。每根丝束都用 PES 纱紧密包裹，然后将其熔化到每根独立的丝束上。这些绳索具有很高的耐磨性和防破坏性，可以根据需要在现场更换。



钢表面内外均采用无铅热镀锌镀层，户外耐蚀性高，维护成本低。



Corocord 智能夹在每个细节上都经过精心设计，以确保高品质铝材料的卓越灵活性。智能夹用四个钢螺栓固定在柱子周围。未使用的连接点用 PA 盖关闭。



通过 KOMPAN Variant 团队，您可以在其他 7 种绳索颜色之间进行选择并自定义解决方案。各种各样的颜色，从优雅、富于表现力的黑色，到自然而柔和的麻色，再到一系列引人入胜的醒目色。



爬坡绳索是理想的斜坡攀爬游戏，可在 20-60° 的斜坡上使用，并有各种长度可选。

产品编号 CRP630101-0901

## 安装信息

最大跌落高度	0 cm
安全面积	15.1 m <sup>2</sup>
安装总时长	2.0
开挖量	0.95 m <sup>3</sup>
混凝土使用量	0.53 m <sup>3</sup>
标准入地深度	90 cm
运输重量	29 kg
固定选项	入地 ✓

## 质保信息

链条	10 年
Corocord 绳索	10 年
镀锌钢结构	终身质保
承保零部件	10 年

**EN**  
**1176**  
compliant

# Sustainability Data

CRP630101



## 从原材料到成品

CO<sub>2</sub> 排放总量

kg CO<sub>2</sub>e

CO<sub>2</sub> 排放量 / 千克

kg CO<sub>2</sub>e/kg

回收的原料

%

CRP630101-0901

72.54

3.38

45.49

这些因素采用的总体框架为环保产品声明 (EPD), 该声明可量化“产品生命周期的环保信息, 并对相同功能的产品进行对比” (ISO, 2006)。在遵循该框架的同时, 对从原材料到制造的整个产品阶段 (A1-A3) 应用生命周期评估法。

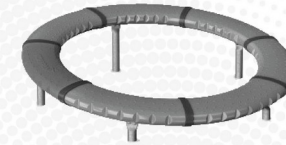
### Kompan A/S

C.F. Tietgens Boulevard 32C  
DK-5220 Odense SØ  
Denmark

Validation of CO<sub>2</sub>  
calculation method  
**BUREAU VERITAS**  
HSE Denmark A/S



### Verification of CO<sub>2</sub> calculation of: Freestanding play equipment



Data version no. 2023-10-05

The CO<sub>2</sub> calculation and data are in compliance with the principles of a carbon footprint impact according to the GHG protocol (Greenhouse Gas Protocol), Scope 3, cradle to gate related to all individual components in the product category: "Freestanding play equipment" represented by item no.: GXY916012-3417.

(Scope 3 emissions include emission sources in the upstream and downstream value chain).

**Date: 30. October 2023 | Valid until: 30. October 2025**

Verified by:

Julie Marie Vejsgaard Larsen, LCA & EPD Consultant

Verification based on report: Validation of CO<sub>2</sub> calculation of 9 categories of Kompan product line, version 1.0, prepared by: Bureau Veritas HSE, Denmark: Julie M. V. Larsen.

**Publication date: 30. October 2023**

By Bureau Veritas HSE  
www.bureauveritas.dk  
+45 7731 1000

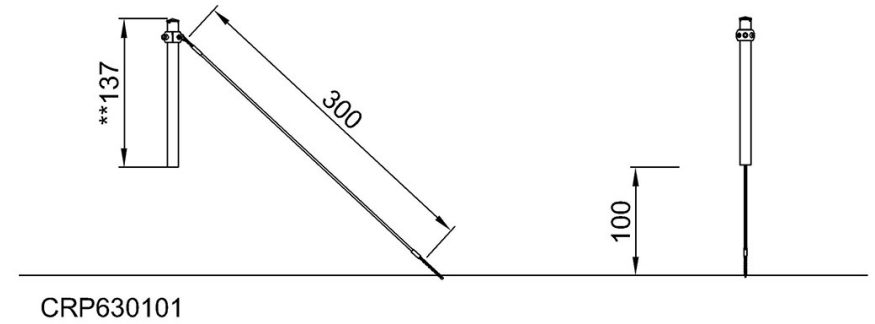
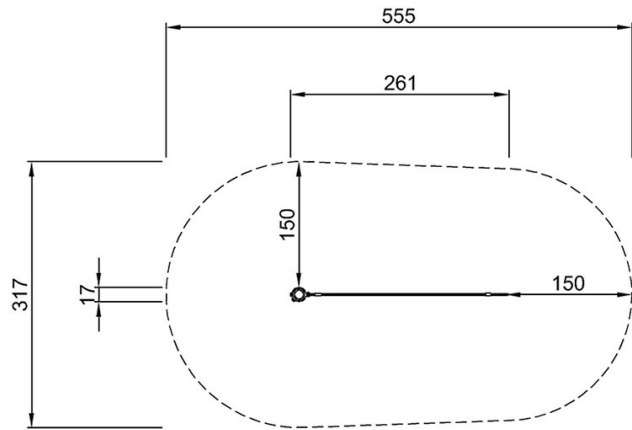


# Hill Climber Rope

CRP630101

最大跌落高度 | 总高度 | 安全区域

最大跌落高度 | 总高度



CRP630101  
\*\*137cm  
\*\*\*15.1m<sup>2</sup>

[点击查看俯视图](#)

[点击查看侧面图](#)