

Play Panel High - Creative

PCM003621

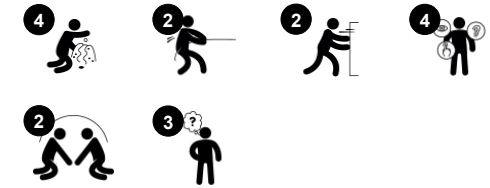
KOMPAN
Let's play



产品编号 PCM003621-0901

产品信息概览

| | |
|-------|---------------|
| 长宽高尺寸 | 121x28x105 cm |
| 适用年龄段 | 2+ |
| 容纳人数 | 4 |
| 颜色选择 | |



Wow! The children can't keep their hands off the Manipulative Play Panel. The variation of responsive play elements inspires exploration. The wide panel and the fact that all items on one side are connected to action on the other side support cause and effect understanding as well as cooperation and turn-taking in social play. The feedback to the child's actions is

important to logical thinking: The steering wheel moves another wheel. The play spheres with numbers move play shovels on the other side. The funnel turns up on one side, and down on the other. This invites toddlers and children to run items or sand through, a favourite pastime which stimulates object permanence understanding that items and

persons don't cease to exist when out of sight. The shovels can be placed to catch and transport sand in creative play. The play panel is high to make it more inclusive of older children.



Play Panel High - Creative

PCM003621



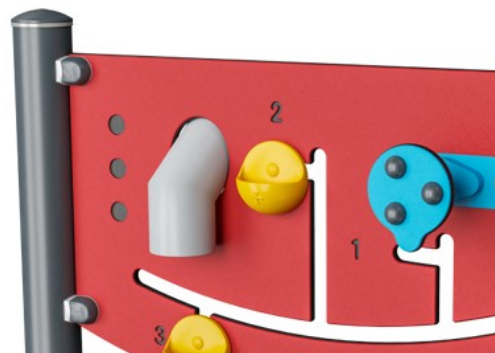
Gearshift and tube panel

社交情感：鼓励团队游戏和交流互动。**认知能力：**支持戏剧游戏，激发语言技能，在解释功能时可训练交流技能。通过漏斗传递材料有助于儿童的逻辑思维和对物体永久性的理解。**创造力：**changing the position of the gear, leaving your mark.



Play Panel High - Creative

PCM003621



19 毫米 EcoCore™ 面板。EcoCore™ 是一种高度耐用、环保的材料，不仅在使用后可回收利用，而且还包含由 100 % 食品包装可循环材料制成的芯。

具有热镀锌钢脚的主立柱有不同的材料可供选择：压力浸渍松木立柱；在内外部进行了预镀锌处理，顶部涂有粉末涂层的钢柱；无铅铝，表面彩色阳极氧化处理；环保产品 TexMade 立柱，100% 消费后再生的 PE 和纺织废料制成。

游戏活动，如漏斗是由注塑成型的高质量尼龙 (PA6) 制成。PA6 具有良好的耐磨性和抗冲击性，并且是抗紫外线的。



KOMPAN 环保系列产品采用终极环保材料设计，具有将二氧化碳排放当量系数降至最低的可能性。如 100% 消费后的海洋可循环材料制成的 EcoCore™ 面板。

产品编号 PCM003621-0901

安装信息

| | |
|--------|---------------------|
| 最大跌落高度 | 0 cm |
| 安全面积 | 11.2 m ² |
| 安装总时长 | 3.6 |
| 开挖量 | 0.05 m ³ |
| 混凝土使用量 | 0.00 m ³ |
| 标准入地深度 | 85 cm |
| 运输重量 | 51 kg |
| 固定选项 | 入地 |

质保信息

| | |
|--------------|------|
| EcoCore HDPE | 终身质保 |
| 镀锌钢结构 | 终身质保 |
| 活动部件 | 2 年 |
| 立柱 | 10 年 |
| 承保零部件 | 10 年 |

EN
1176
compliant

Sustainability Data

PCM003621



从原材料到成品

CO₂ 排放总量

CO₂ 排放量 / 千克

回收的原料

kg CO₂e

kg CO₂e/kg

%

PCM003621-0950

57.70

1.41

76.30

PCM003621-0901

93.41

2.66

57.75

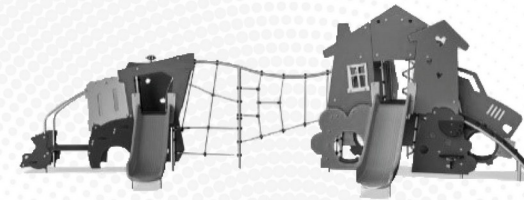
这些因素采用的总体框架为环保产品声明 (EPD), 该声明可量化“产品生命周期的环保信息, 并对相同功能的产品进行对比” (ISO, 2006)。在遵循该框架的同时, 对从原材料到制造的整个产品阶段 (A1-A3) 应用生命周期评估法。

Kompan A/S

C.F. Tietgens Boulevard 32C
DK-5220 Odense SØ
Denmark



Verification of CO₂ calculation of: Themed play systems



Data version no. 2023-10-05

The CO₂ calculation and data are in compliance with the principles of a carbon footprint impact according to the GHG protocol (Greenhouse Gas Protocol), Scope 3, cradle to gate related to all individual components in the product category: "Themed play systems" represented by item no.: MSC641100-3717P.

(Scope 3 emissions include emission sources in the upstream and downstream value chain).

Date: 30. October 2023 | Valid until: 30. October 2025

Verified by:

Julie Marie Vejsgaard Larsen, LCA & EPD Consultant

Verification based on report: Validation of CO₂ calculation of 9 categories of Kompan product line, version 1.0, prepared by: Bureau Veritas HSE, Denmark: Julie M. V. Larsen.

Publication date: 30. October 2023

By Bureau Veritas HSE
www.bureauveritas.dk
+45 7731 1000

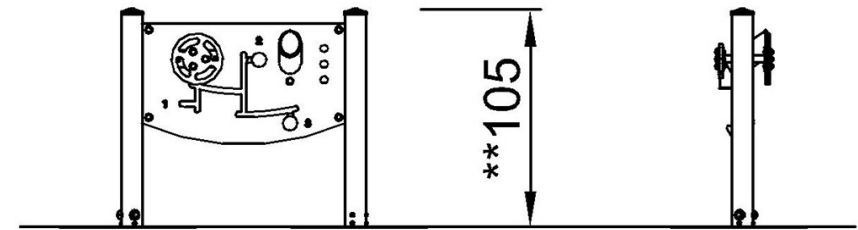
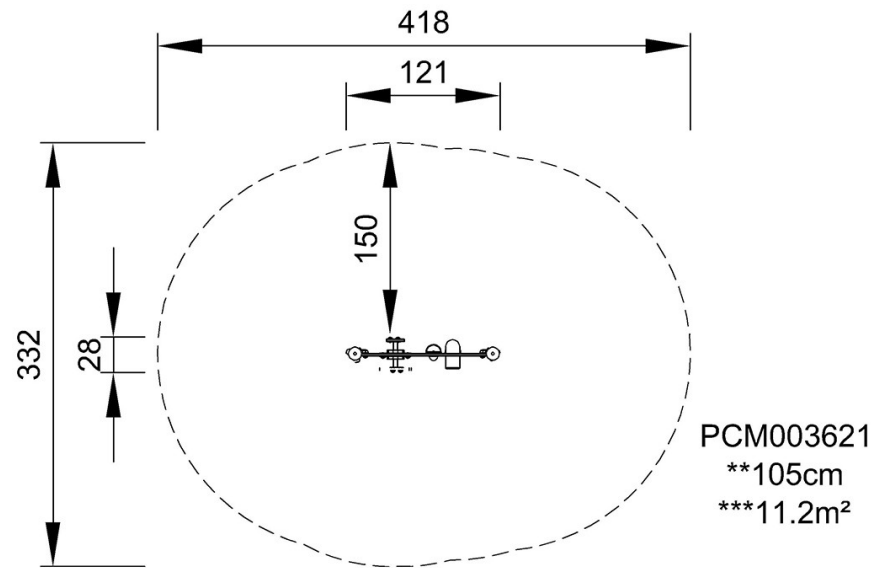


Play Panel High - Creative

PCM003621

最大跌落高度 | 总高度 | 安全区域

最大跌落高度 | 总高度



PCM003621

[点击查看俯视图](#)

[点击查看侧面图](#)