
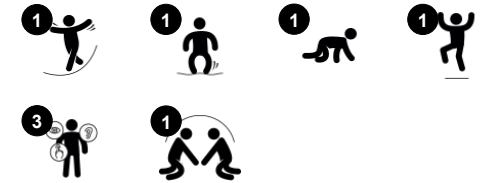


Low Slope

MSV605



Item no. MSV60500-0201	
General Product Information	
Dimensions LxWxH	120x56x38 cm
Age group	6m+
Play capacity (users)	2
Colour options	



The low slope is a fantastic motivator for play that helps to build strength, balance and coordination for young children. The intentional design helps children to feel successful and competent, while also supporting social skills such as turn-taking and cognitive skills such as decision-making. These skills are important for overall health and well-being. Children can gain

a wealth of skills through play on the low slope, as they practice their balance and strengthen their muscles with friends, as they take turns and share in games that help them to enjoy success. The low slope will help to extend playtimes for healthy development and great fun.



Low Slope

MSV605



Handholds

Physical: gripping the handle to pull up your body trains hand-eye coordination and muscles.



Bouncy slope

Physical: sense of balance and space are supported when moving up. Cross coordination can be developed when crawling over. Bone density is strengthened when jumping off.

Low Slope

MSV605



Panels of 19mm EcoCore™. EcoCore™ is a highly durable, eco friendly material, which is not only recyclable after use, but also consists of material produced from +95% recycled post consumer material from food packing waste.



Membranes consist of friction-proof rubberized material of conveyor belt quality with excellent UV resistance. Embedded is a four-layered armouring made of woven polyester. The armouring and the two surface layers result in a total thickness of 9 mm.

Item no. MSV60500-0201

Installation Information

Max. fall height	28 cm
Safety surfacing area	12.8 m ²
Total installation time	3.4
Excavation volume	0.00 m ³
Concrete volume	0.00 m ³
Footing depth (standard)	0 cm
Shipment weight	22 kg
Anchoring options	Surface ✓

Warranty Information

EcoCore HDPE	Lifetime
Membrane	2 years
Spare parts guaranteed	10 years



Sustainability Data

MSV605



Cradle to Gate A1-A3	Total CO ₂ emission	CO ₂ e/kg	Recycled materials
	kg CO ₂ e	kg CO ₂ e/kg	%
MSV60500-0201	34.31	1.57	63.64

The overall framework applied for these factors is the Environmental Product Declaration (EPD), which quantifies "environmental information on the life cycle of a product and enable comparisons between products fulfilling the same function" (ISO, 2006). This follows the structure and applies a Life-Cycle Assessment approach to the entire Product stage from raw material through manufacturing (A1-A3))

Kompan A/S
 C.F. Tietgens Boulevard 32C
 DK-5220 Odense SØ
 Denmark



Verification of CO₂ calculation of: Themed play systems



Data version no. 2023-10-05

The CO₂ calculation and data are in compliance with the principles of a carbon footprint impact according to the GHG protocol (Greenhouse Gas Protocol), Scope 3, cradle to gate related to all individual components in the product category: "Themed play systems" represented by item no.: MSC641100-3717P.

(Scope 3 emissions include emission sources in the upstream and downstream value chain).

Date: 30. October 2023 | Valid until: 30. October 2025

Verified by:

Julie Marie Vejsgaard Larsen, LCA & EPD Consultant

Verification based on report: Validation of CO₂ calculation of 9 categories of Kompan product line, version 1.0, prepared by: Bureau Veritas HSE, Denmark: Julie M. V. Larsen.

Publication date: 30. October 2023

By Bureau Veritas HSE
 www.bureauveritas.dk
 +45 7731 1000

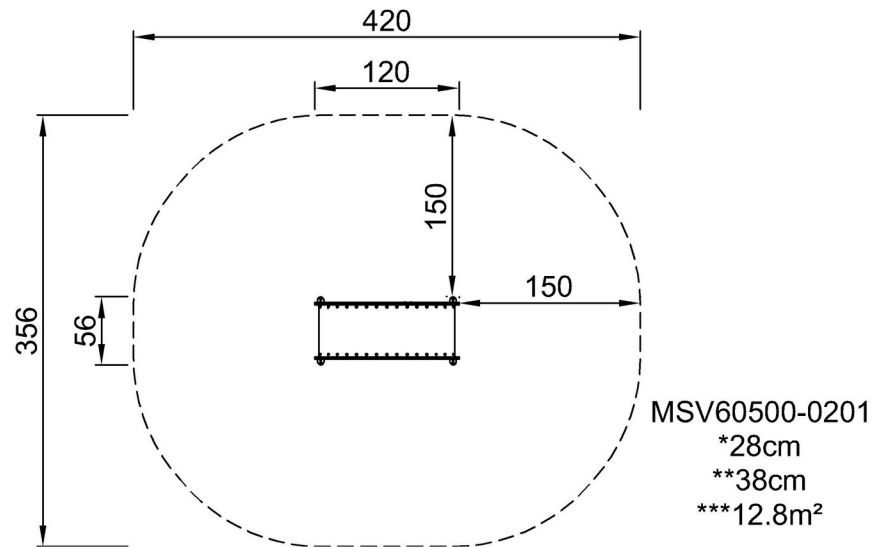


Low Slope

MSV605

* Max fall height | ** Total height | *** Safety surfacing area

* Max fall height | ** Total height



[Click to see TOP VIEW](#)

[Click to see SIDE VIEW](#)