
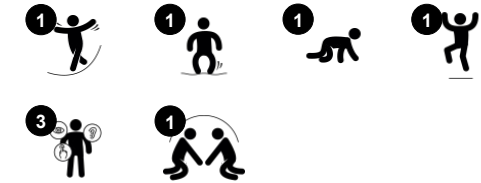


Steep Slope

MSV606



Item no. MSV60600-0201	
General Product Information	
Dimensions LxWxH	120x56x51 cm
Age group	1+
Play capacity (users)	2
Colour options	



The Steep Slope is a great physical play unit that can be climbed, crawled, walked, slid, and lied on also by the younger toddlers. Crawling, climbing or walking on slopes is a fantastic training of the child's vestibular system and kinesthetic: the training of cross-coordination, of balance, proprioception and spatial relations is made in a fun and active way. A Play Book

text with curriculum supportive games, made by the KOMPAN Play Institute, can be ordered.



Steep Slope

MSV606



Bouncy slope

Physical: sense of balance and space are supported when moving up. Cross coordination can be developed when crawling over. Bone density is strengthened when jumping off.



Handholds

Physical: gripping the handle to pull up your body trains hand-eye coordination and muscles.

Steep Slope

MSV606



Seats of 19mm EcoCore™. EcoCore™ is a highly durable, eco-friendly material, which is not only recyclable after use, but is also made of +95% recycled post-consumer material from e.g., food packing waste in both core and colorful outer layer.



Membranes consist of friction-proof rubberized material of conveyor belt quality with excellent UV resistance. Embedded is a four-layered armouring made of woven polyester. The armouring and the two surface layers result in a total thickness of 9 mm.

Item no. MSV60600-0201

Installation Information

Max. fall height	41 cm
Safety surfacing area	12.8 m ²
Total installation time	3.5
Excavation volume	0.00 m ³
Concrete volume	0.00 m ³
Footing depth (standard)	0 cm
Shipment weight	29 kg
Anchoring options	Surface ✓

Warranty Information

EcoCore HDPE	Lifetime
Membrane	2 years
Spare parts guaranteed	10 years



Sustainability Data

MSV606



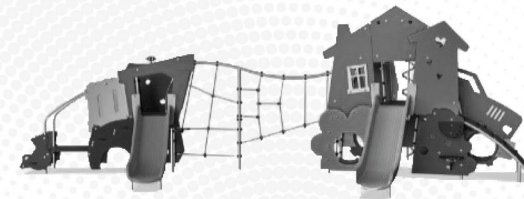
Cradle to Gate A1-A3	Total CO ₂ emission	CO ₂ e/kg	Recycled materials
	kg CO ₂ e	kg CO ₂ e/kg	%
MSV60600-0201	41.01	1.41	67.52

The overall framework applied for these factors is the Environmental Product Declaration (EPD), which quantifies "environmental information on the life cycle of a product and enable comparisons between products fulfilling the same function" (ISO, 2006). This follows the structure and applies a Life-Cycle Assessment approach to the entire Product stage from raw material through manufacturing (A1-A3))

Kompan A/S
 C.F. Tietgens Boulevard 32C
 DK-5220 Odense SØ
 Denmark



Verification of CO₂ calculation of: Themed play systems



Data version no. 2023-10-05

The CO₂ calculation and data are in compliance with the principles of a carbon footprint impact according to the GHG protocol (Greenhouse Gas Protocol), Scope 3, cradle to gate related to all individual components in the product category: "Themed play systems" represented by item no.: MSC641100-3717P.

(Scope 3 emissions include emission sources in the upstream and downstream value chain).

Date: 30. October 2023 | Valid until: 30. October 2025

Verified by:

Julie Marie Vejsgaard Larsen, LCA & EPD Consultant

Verification based on report: Validation of CO₂ calculation of 9 categories of Kompan product line, version 1.0, prepared by: Bureau Veritas HSE, Denmark: Julie M. V. Larsen.

Publication date: 30. October 2023

By Bureau Veritas HSE
 www.bureauveritas.dk
 +45 7731 1000

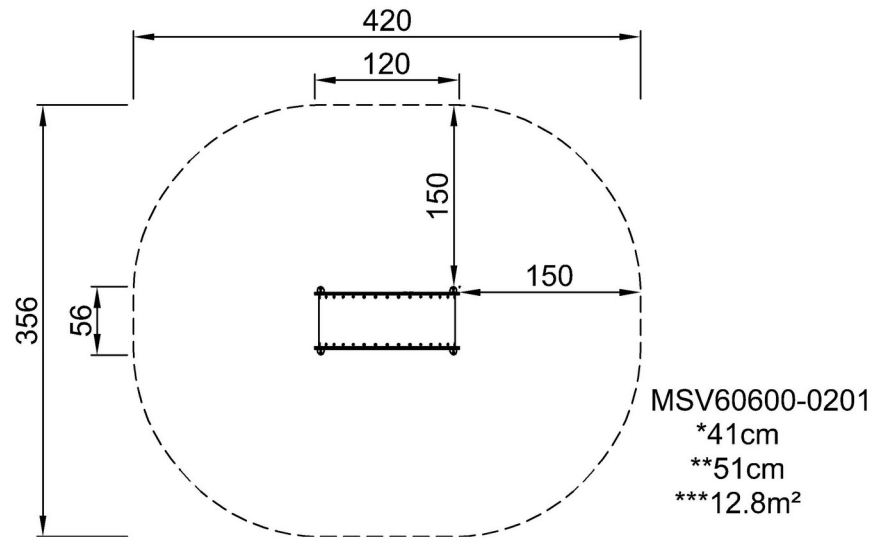


Steep Slope

MSV606

* Max fall height | ** Total height | *** Safety surfacing area

* Max fall height | ** Total height



[Click to see TOP VIEW](#)

[Click to see SIDE VIEW](#)