

# Savannah

NAT521

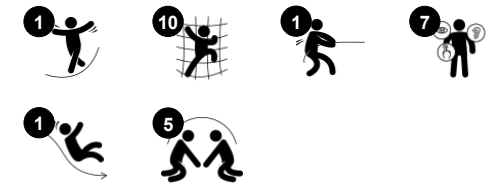
**KOMPANI**  
Let's play



Item no. NAT521-0912

## General Product Information

Dimensions LxWxH	451x548x427 cm
Age group	4+
Play capacity (users)	14
Color options	



The Savannah attracts world explorers among school age children from far away with its fantastic variety of thrilling play activities. The 5 varied climbs and crawls via nets, ladders, floors and climbing poles to the tall slide stimulate the children's agility, balance and cross- coordination. And the variety makes sure that there are ways up and around the

Savannah for bigger and lesser dare devils. The motor skills trained are important for children's physical confidence and their security in moving, for instance in the street. The sense of balance and space are trained whizzing down the slide. The sense of balance is fundamental for all other physical skills. The platforms and nets are nice rest and meeting

points for socializing with friends. So the Savannah supports fun activity with friends.



# Savannah

NAT521



Posts and boards are made of pine wood from sustainable European sources. The wood is pressure impregnated Class 3 with Tanalith E3475 according to EN335 (Equivalent to NTR Class AB). On request it can be supplied as FSC® Certified (FSC® C004450).



Panels of 19mm EcoCore™. EcoCore™ is a highly durable, eco friendly material, which is not only recyclable after use, but also consists of material produced from +95% recycled post consumer material from food packing waste.

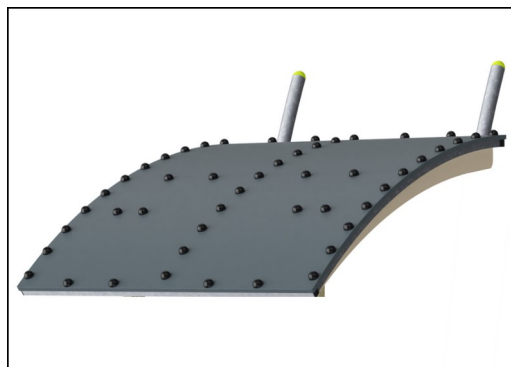


The steel surfaces are hot dip galvanized inside and outside with lead free zinc. The galvanization has excellent corrosion resistance in outside environments and requires low maintenance.

Item no. NAT521-0912	
Installation Information	
Max. fall height	196 cm
Safety surfacing area	40.8 m <sup>2</sup>
Total installation time	22.0
Excavation volume	1.69 m <sup>3</sup>
Concrete volume	0.24 m <sup>3</sup>
Footing depth (standard)	93 cm
Shipment weight	707 kg
Anchoring options	In-ground ✓ Surface ✓



The rope nets are made of single braided 16 mm PES ropes. PES has high strength with excellent resistance to abrasion and UV radiation. The rope loops are assembled by aluminum connectors.



Roof is made of a steel frame supported Ekogrip® panel. The Ekogrip® panel consist of a 15mm thick PE base with 3 mm top-layer of rubber.



The slide is made of high quality stainless steel AISI 304. The steel is cleaned by a total pickling process after manufacturing to ensure a smooth and clean gliding surfaces.



# Sustainability Data

NAT521



Cradle to Gate A1-A3	Total CO <sub>2</sub> emission	CO <sub>2</sub> e/kg	Recycled materials
	kg CO <sub>2</sub> e	kg CO <sub>2</sub> e/kg	%
<b>NAT521-0912</b>	1,301.70	2.33	35.60

The overall framework applied for these factors is the Environmental Product Declaration (EPD), which quantifies "environmental information on the life cycle of a product and enable comparisons between products fulfilling the same function" (ISO, 2006). This follows the structure and applies a Life-Cycle Assessment approach to the entire Product stage from raw material through manufacturing (A1-A3))

**Kompan A/S**  
 C.F. Tietgens Boulevard 32C  
 DK-5220 Odense SØ  
 Denmark



## Verification of CO<sub>2</sub> calculation of: Nature play



Data version no. 2023-10-05

The CO<sub>2</sub> calculation and data are in compliance with the principles of a carbon footprint impact according to the GHG protocol (Greenhouse Gas Protocol), Scope 3, cradle to gate related to all individual components in the product category: "Nature play" represented by item no.: NRO409-0621.

(Scope 3 emissions include emission sources in the upstream and downstream value chain).

**Date: 30. October 2023 | Valid until: 30. October 2025**

**Verified by:**

Julie Marie Vejsgaard Larsen, LCA & EPD Consultant

Verification based on report: Validation of CO<sub>2</sub> calculation of 9 categories of Kompan product line, version 1.0, prepared by: Bureau Veritas HSE, Denmark: Julie M. V. Larsen.

**Publication date: 30. October 2023**

**By Bureau Veritas HSE**  
 www.bureauveritas.dk  
 +45 7731 1000

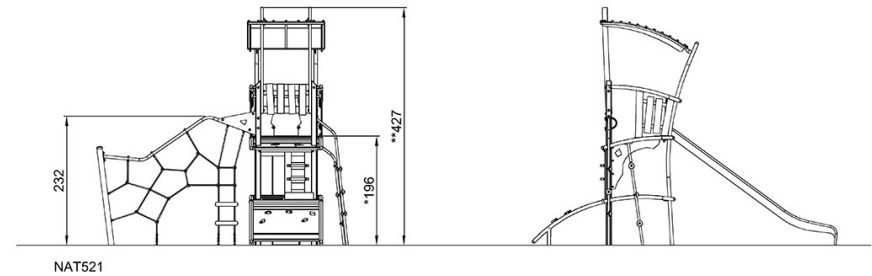
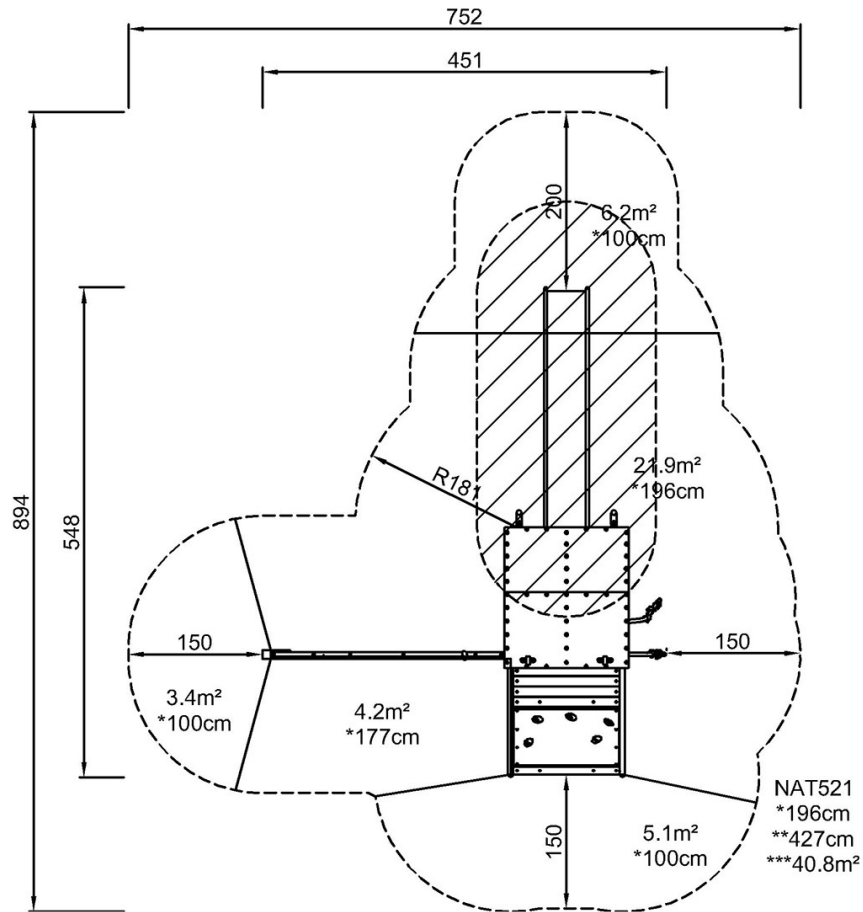


# Savannah

NAT521

\* Max fall height | \*\* Total height | \*\*\* Safety surfacing area

\* Max fall height | \*\* Total height



[Click to see TOP VIEW](#)

[Click to see SIDE VIEW](#)