

# Climbing Net

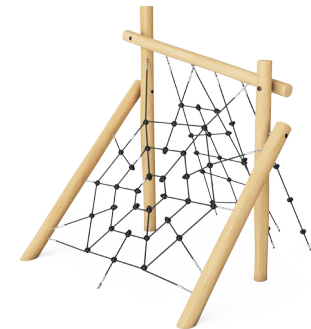
NRO813



The Climbing Net is a versatile climber that children will want to try again and again. The inclined spider net and ropes with climbing cleats offer fun and challenging ways to climb upwards and down again. The Spider Net has partly inclined horizontal rungs, which create an extra challenge when climbing. This trains proprioception, spatial awareness and cross-

coordination. All of these motor skills are fundamental for judging distances, managing the surroundings confidently to avoid accidents. The Climbing Ropes offer a different kind of climbing, clinging on to ropes while going upwards. The varied climbing trains the arm, leg and core muscles intensely. The spacious Climbing Net can hold many, climbing

together or taking a break, using important social-emotional skills.



Item no. NRO813-1001

## General Product Information

Dimensions LxWxH	249x268x260 cm
Age group	6+
Play capacity (users)	7
Color options	



# Climbing Net

NRO813



## Climbing rope

**Physical:** the small knots add support for hands and feet when climbing onto the rope, crawling up or down. Climbing supports spatial awareness, cross coordination and muscle strength. **Social-Emotional:** passing others when climbing up or down develops turn-taking skills and consideration.



## Top beam

**Physical:** climbing over the top beam demands good spatial awareness and involves risk taking. **Social-Emotional:** fine destination for a break with friends.



## Climbing net

**Physical:** the inclined net supports the upward climbing movement of the body. The net supports cross-body coordination, which impacts coordination of the right and left part of brain, fundamental for other skills such as the ability to read. The asymmetry of the net challenges the children's climbing.



## Spider net

**Physical:** cross coordination is supported when crawling through, over and across the net. This supports the cooperation of left and right brain half, important for skills such as reading. Core, arm and leg muscles are strengthened. **Social-Emotional:** taking a break together in the net and waiting for others to cross supports social abilities such as cooperation and communication.

# Climbing Net

NRO813



All Organic Robinia products by KOMPAN are made of Robinia wood from sustainable European sources. On request it can be supplied as FSC® Certified (FSC® C004450).



Nets and ropes are made of UV-stabilised PA with inner steel cable reinforcement. The rope is induction treated in order to create a strong connection between steel and rope which leads to good wear resistance.



The Robinia wood can be supplied as untreated raw wood or painted with a brown coloured transparent pigment that maintains the golden wood colour of the wood.

Item no. NRO813-1001

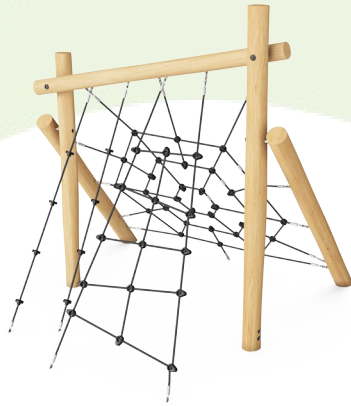
## Installation Information

Max. fall height	234 cm
Safety surfacing area	29.4 m <sup>2</sup>
Total installation time	6.4
Excavation volume	2.59 m <sup>3</sup>
Concrete volume	0.24 m <sup>3</sup>
Footing depth (standard)	100 cm
Shipment weight	340 kg
Anchoring options	In-ground ✓



# Sustainability Data

NRO813



Cradle to Gate A1-A3	Total CO <sub>2</sub> emission	CO <sub>2</sub> e/kg	Recycled materials
	kg CO <sub>2</sub> e	kg CO <sub>2</sub> e/kg	%
<b>NRO813-1001</b>	152.10	0.57	5.27

The overall framework applied for these factors is the Environmental Product Declaration (EPD), which quantifies "environmental information on the life cycle of a product and enable comparisons between products fulfilling the same function" (ISO, 2006). This follows the structure and applies a Life-Cycle Assessment approach to the entire Product stage from raw material through manufacturing (A1-A3))

**Kompan A/S**  
 C.F. Tietgens Boulevard 32C  
 DK-5220 Odense SØ  
 Denmark



## Verification of CO<sub>2</sub> calculation of: Nature play



Data version no. 2023-10-05

The CO<sub>2</sub> calculation and data are in compliance with the principles of a carbon footprint impact according to the GHG protocol (Greenhouse Gas Protocol), Scope 3, cradle to gate related to all individual components in the product category: "Nature play" represented by item no.: NRO409-0621.

(Scope 3 emissions include emission sources in the upstream and downstream value chain).

**Date: 30. October 2023 | Valid until: 30. October 2025**

**Verified by:**

Julie Marie Vejsgaard Larsen, LCA & EPD Consultant

Verification based on report: Validation of CO<sub>2</sub> calculation of 9 categories of Kompan product line, version 1.0, prepared by: Bureau Veritas HSE, Denmark: Julie M. V. Larsen.

**Publication date: 30. October 2023**

**By Bureau Veritas HSE**  
 www.bureauveritas.dk  
 +45 7731 1000

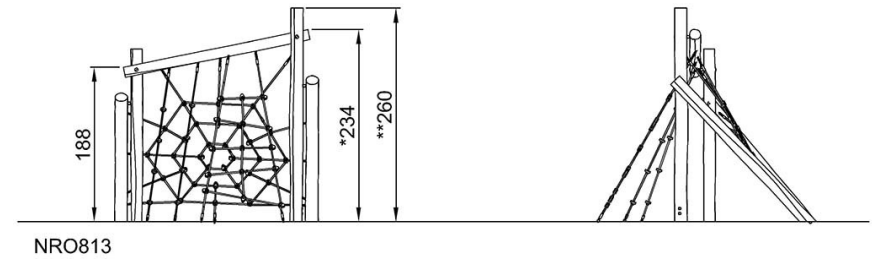
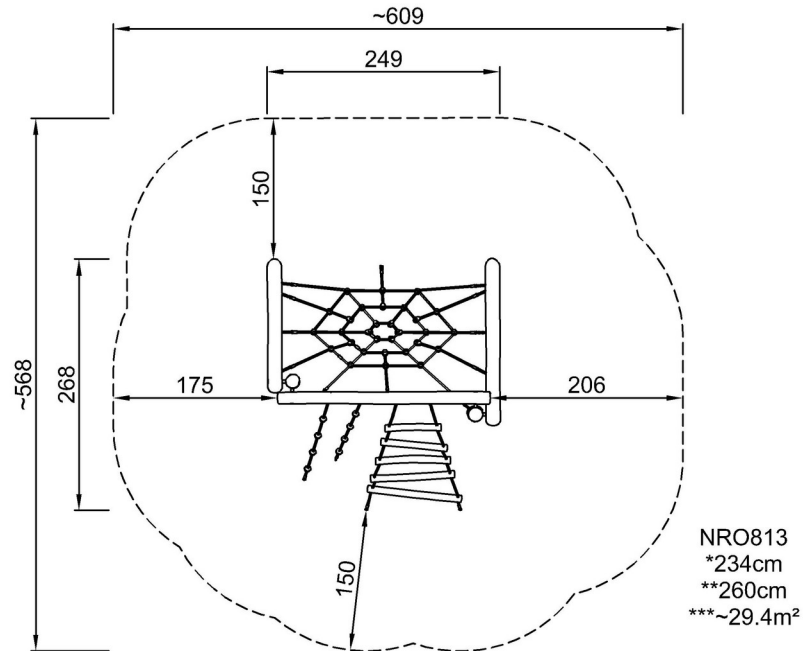


# Climbing Net

NRO813

\* Max fall height | \*\* Total height | \*\*\* Safety surfacing area

\* Max fall height | \*\* Total height



[Click to see TOP VIEW](#)

[Click to see SIDE VIEW](#)