


# Water Seesaw

NRO504



Item no. NRO504-0601	
<b>General Product Information</b>	
Dimensions LxWxH	230x17x87 cm
Age group	2+
Play capacity (users)	2
Color options	



The water seesaw will fascinate children and invite hours and hours of construction play. The water seesaw is a fine transporter of water and sand, leading materials from one end to the other when inclined. This trains children's construction play skills as well as their logical thinking. Adding transportation of materials to sand-and-water play was always an attraction.

Here, having the possibility to shift materials through the long tube, children will be able to play in bigger groups together. This trains cooperation, negotiation and turn-taking skills. These are all social skills that are hard to teach, but easy to learn in play.



# Water Seesaw

NRO504



All Organic Robinia products by KOMPAN are made of Robinia wood from sustainable European sources. On request it can be supplied as FSC® Certified (FSC® C004450).



The hardware is made of stainless steel or galvanised steel to ensure durable connections with a high corrosion resistance.



Robinia products are available in three different wood treatment options: Untreated Robinia wood or brown painted with a pigment that maintains the wood colour and coloured version with paint of selected components.

Item no. NRO504-0601

## Installation Information

Max. fall height	0 cm
Safety surfacing area	14.9 m <sup>2</sup>
Total installation time	2.3
Excavation volume	0.04 m <sup>3</sup>
Concrete volume	0.00 m <sup>3</sup>
Footing depth (standard)	60 cm
Shipment weight	71 kg
Anchoring options	In-ground ✓



# Sustainability Data

NRO504



Cradle to Gate A1-A3	Total CO <sub>2</sub> emission	CO <sub>2</sub> e/kg	Recycled materials
	kg CO <sub>2</sub> e	kg CO <sub>2</sub> e/kg	%
<b>NRO504-0601</b>	18.40	0.33	5.70

The overall framework applied for these factors is the Environmental Product Declaration (EPD), which quantifies "environmental information on the life cycle of a product and enable comparisons between products fulfilling the same function" (ISO, 2006). This follows the structure and applies a Life-Cycle Assessment approach to the entire Product stage from raw material through manufacturing (A1-A3))

**Kompan A/S**  
 C.F. Tietgens Boulevard 32C  
 DK-5220 Odense SØ  
 Denmark



## Verification of CO<sub>2</sub> calculation of: Nature play



Data version no. 2023-10-05

The CO<sub>2</sub> calculation and data are in compliance with the principles of a carbon footprint impact according to the GHG protocol (Greenhouse Gas Protocol), Scope 3, cradle to gate related to all individual components in the product category: "Nature play" represented by item no.: NRO409-0621.

(Scope 3 emissions include emission sources in the upstream and downstream value chain).

**Date: 30. October 2023 | Valid until: 30. October 2025**

**Verified by:**

Julie Marie Vejsgaard Larsen, LCA & EPD Consultant

Verification based on report: Validation of CO<sub>2</sub> calculation of 9 categories of Kompan product line, version 1.0, prepared by: Bureau Veritas HSE, Denmark: Julie M. V. Larsen.

**Publication date: 30. October 2023**

**By Bureau Veritas HSE**  
 www.bureauveritas.dk  
 +45 7731 1000

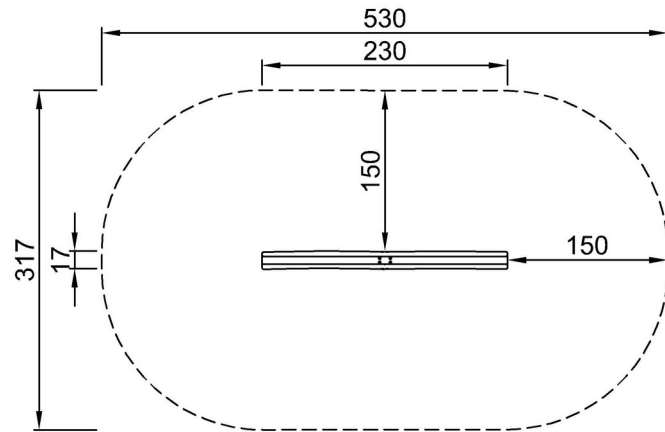


# Water Seesaw

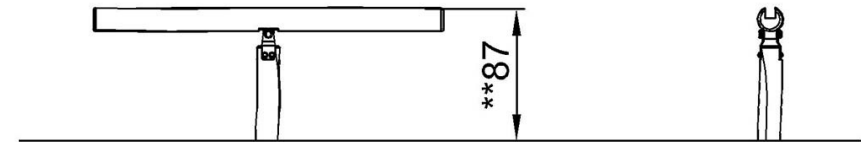
NRO504

\* Max fall height | \*\* Total height | \*\*\* Safety surfacing area

\* Max fall height | \*\* Total height



NRO504-xx01  
\*0cm  
\*\*87cm  
\*\*\*14.9m<sup>2</sup>



NRO504

[Click to see TOP VIEW](#)

[Click to see SIDE VIEW](#)