

Chest Press - Inclusief

FSW243



Item nummer FSW24300-0902	
Algemene Product Informatie	
Afmetingen LxBxH	52x81x191 cm
Leeftijdsgroep	13+
Speelcapaciteit	1
Kleuropties	

De Chest Press – Inclusief is geschikt voor rolstoelgebruikers: het toestel hoeft niet versteld te worden, waardoor ze snel aan de slag kunnen. De verticale paal zorgt voor een stevige ondersteuning van de rug en de verlengde handgrepen zijn geschikt voor verschillende gebruikerslengtes. De progressieve weerstand, licht in het begin en

zwaarder bij volledige extensie, maakt het mogelijk de intensiteit aan te passen door arm extension en herhalingen. Deze chest press heeft een prachtig open ontwerp, dat rolstoelgebruikers uitnodigt om te gaan trainen.



Chest Press - Inclusief

FSW243



The Steel posts are made of Ø101,6x2,0mm pre-galvanized steel tube. The posts are powder coated, corrosion class C3 according to ISO12944-2.



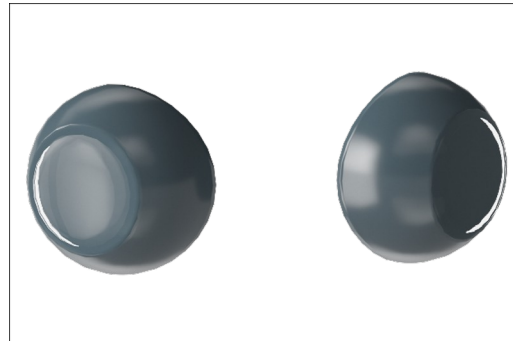
The chest press is wheelchair accessible and all individuals with a minimum height of 140cm will be able to use the product without compromising their normal posture.



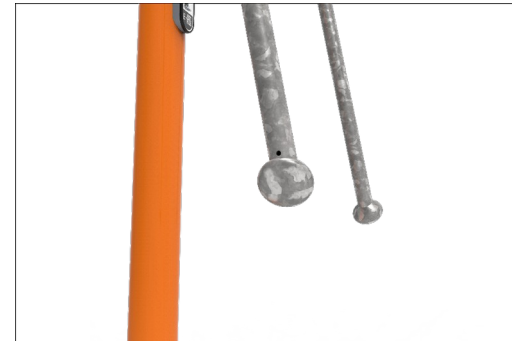
The resistance is controlled by heavy duty scaled ROSTA torsion spring element. The ROSTA element works without any noise and are maintenance free. The ROSTA element allows the user to both push and pull depending on the desired exercise.



The product must feature an information sign with related exercises, and each exercise must feature a QR code linking to its related exercise portal in an app that offers support on the specific exercise. The sign must additionally offer a QR code for downloading the app.



The post top and do-nuts are made from polyamide PA6 nylon.



The handle knobs are made of S235 hot-dip galvanized steel according to KS0106 and a grip diameter of 77,3mm. The grips provide safety and an ergonomic experience when using the machine.

Item nummer FSW24300-0902

Installatie informatie

Max. valhoogte	0 cm
Veiligheidszone	11,8 m ²
Totale installatietijd	2,2
Graafwerk (vol.)	0,06 m ³
Benodigd beton	0,04 m ³
Verankeringsdiepte	90 cm
Verzendingsgewicht	61 kg
Verankeringsopties	In-ground ✓ Oppervlak ✓

Garantie informatie

Gegalvaniseerd staal	Levenslang
ROSTA Element	2 jaar
Gegarandeerde reserveonderdelen	10 jaar
Stalen frame	10 jaar

EN
16630
compliant

Sustainability Data

FSW243



Cradle to Gate A1-A3	Total CO ₂ emission	CO ₂ e/kg	Recycled materials
	kg CO ₂ e	kg CO ₂ e/kg	%
FSW24300-0902	111,51	2,67	49,58

The overall framework applied for these factors is the Environmental Product Declaration (EPD), which quantifies "environmental information on the life cycle of a product and enable comparisons between products fulfilling the same function" (ISO, 2006). This follows the structure and applies a Life-Cycle Assessment approach to the entire Product stage from raw material through manufacturing (A1-A3))

Kompan A/S
 C.F. Tietgens Boulevard 32C
 DK-5220 Odense SØ
 Denmark



Verification of CO₂ calculation of: Fitness



Data version no. 2023-10-05

The CO₂ calculation and data are in compliance with the principles of a carbon footprint impact according to the GHG protocol (Greenhouse Gas Protocol), Scope 3, cradle to gate related to all individual components in the product category: "Fitness" represented by item no.: FAZ10100-0900.

(Scope 3 emissions include emission sources in the upstream and downstream value chain).

Date: 30. October 2023 | Valid until: 30. October 2025

Verified by:

Julie Marie Vejsgaard Larsen, LCA & EPD Consultant

Verification based on report: Validation of CO₂ calculation of 9 categories of Kompan product line, version 1.0, prepared by: Bureau Veritas HSE, Denmark: Julie M. V. Larsen.

Publication date: 30. October 2023

By Bureau Veritas HSE
 www.bureauveritas.dk
 +45 7731 1000

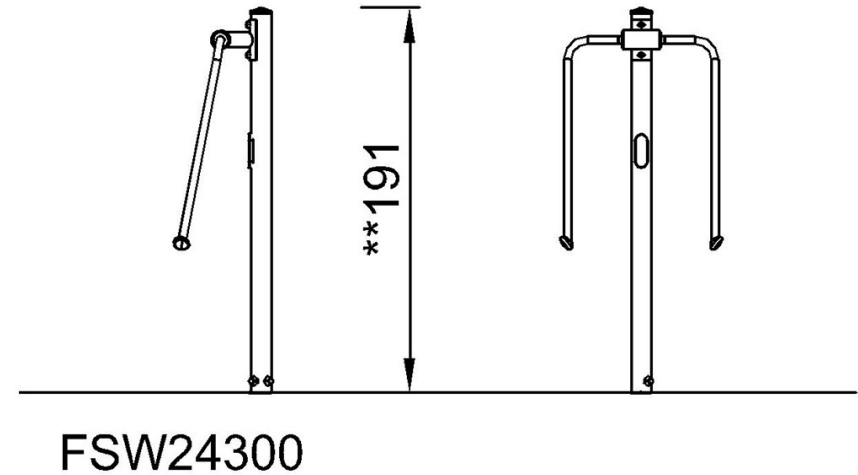
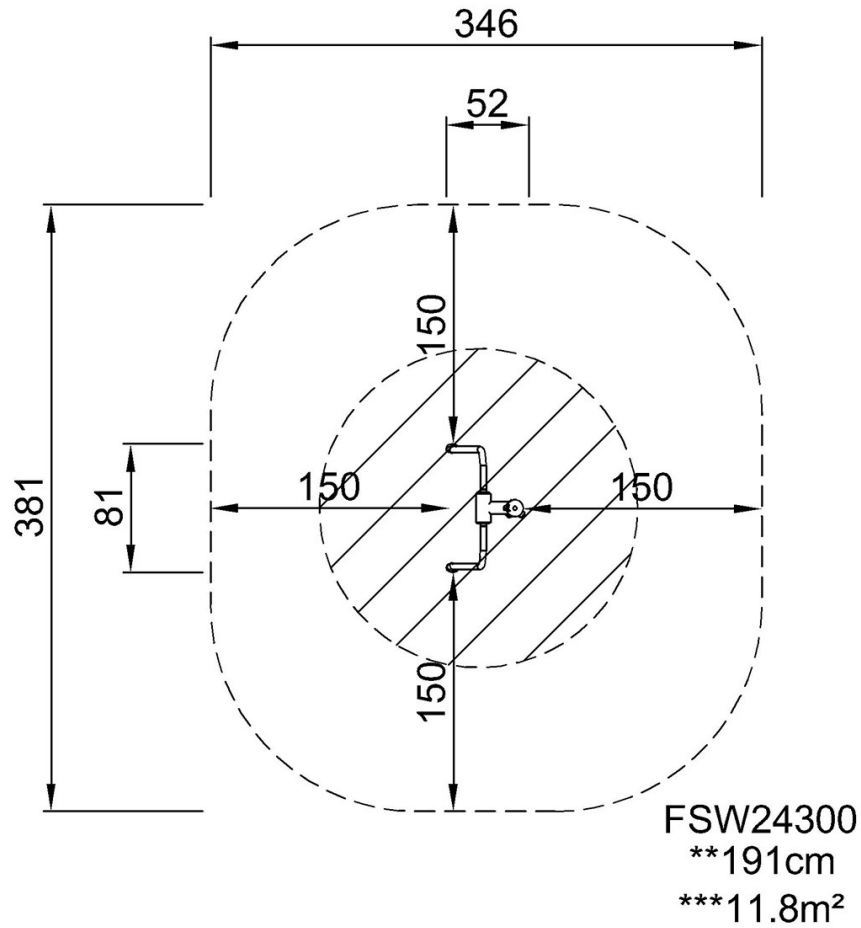


Chest Press - Inclusief

FSW243

Max. valhoogte | Totale Hoogte | Veiligheidszone

Max. valhoogte | Totale Hoogte



[Bekijk BOVENAANZICHT](#)

[Bekijk ZIJAANZICHT](#)