

Rope Bridge

NRO811



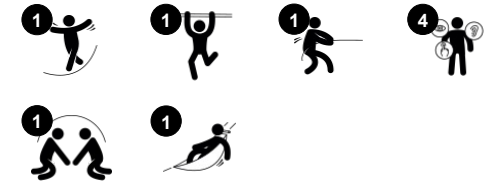
The Rope Bridge is a playground classic, keeping children practising on it over and over again. It is a timeless challenge and fun to navigate across, training balance, strength, and coordination. This rope bridge also has upper support, for the youngest ones playing and practising. It is made of durable Robinia timber, which provides an organic structure that can

either blend into or stand out from your surroundings. Children can touch and feel the timber while playing, observing how nature inspiration interacts with the built environment.

Item no. NRO811-1001

General Product Information

Dimensions LxWxH	224x52x260 cm
Age group	4+
Play capacity (users)	2
Colour options	



Rope Bridge

NRO811



Horizontal rope

Physical: the stiff, bouncy rope is great for walking in arms or hanging in knees. **Social-Emotional:** children cooperate, help each other and take turns.



Balancing ropes

Physical: sense of balance is trained when swaying and climbing on ropes **Social-Emotional:** cooperation, tolerance and teamwork is exercised when swaying with others

Rope Bridge

NRO811



All organic Robinia products by KOMPAN are made of Robinia wood which is sourced from sustainable plantation farms. On request it can be supplied as FSC® Certified (FSC® C004450).



Nets and ropes are made of UV-stabilised PA with inner steel cable reinforcement. The rope is induction treated to create a strong connection between steel and rope, which leads to durable weather resistance.



The Robinia wood can be supplied as untreated raw wood or painted with a brown coloured transparent pigment that maintains the golden wood colour of the wood.

Item no. NRO811-1001	
Installation Information	
Max. fall height	30 cm
Safety surfacing area	15.5 m ²
Total installation time	3.5
Excavation volume	0.14 m ³
Concrete volume	0.05 m ³
Footing depth (standard)	100 cm
Shipment weight	197 kg
Anchoring options	In-ground ✓
Warranty Information	
Robinia Wood	15 years
Ropes & Nets	10 years
Spare Parts Guarantee	10 years
Stainless Steel Components	Lifetime



Sustainability Data

NRO811



Cradle to Gate A1-A3	Total CO ₂ emission	CO ₂ e/kg	Recycled materials
	kg CO ₂ e	kg CO ₂ e/kg	%
NRO811-1001	27.85	0.19	1.26

The overall framework applied for these factors is the Environmental Product Declaration (EPD), which quantifies "environmental information on the life cycle of a product and enable comparisons between products fulfilling the same function" (ISO, 2006). This follows the structure and applies a Life-Cycle Assessment approach to the entire Product stage from raw material through manufacturing (A1-A3))

Kompan A/S
 C.F. Tietgens Boulevard 32C
 DK-5220 Odense SØ
 Denmark



Verification of CO₂ calculation of: Nature play



Data version no. 2023-10-05

The CO₂ calculation and data are in compliance with the principles of a carbon footprint impact according to the GHG protocol (Greenhouse Gas Protocol), Scope 3, cradle to gate related to all individual components in the product category: "Nature play" represented by item no.: NRO409-0621.

(Scope 3 emissions include emission sources in the upstream and downstream value chain).

Date: 30. October 2023 | Valid until: 30. October 2025

Verified by:

Julie Marie Vejsgaard Larsen, LCA & EPD Consultant

Verification based on report: Validation of CO₂ calculation of 9 categories of Kompan product line, version 1.0, prepared by: Bureau Veritas HSE, Denmark: Julie M. V. Larsen.

Publication date: 30. October 2023

By Bureau Veritas HSE
 www.bureauveritas.dk
 +45 7731 1000

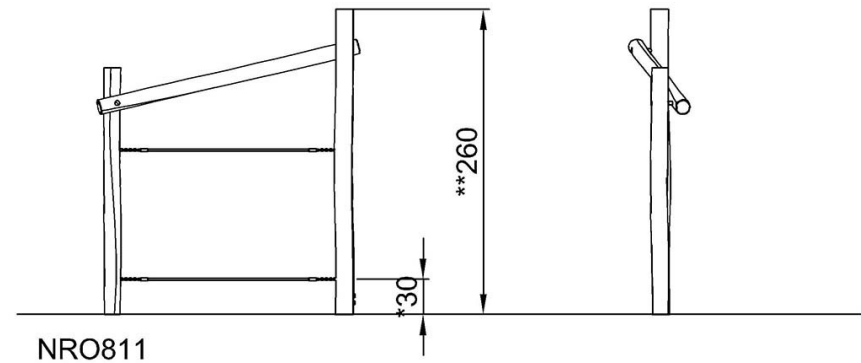
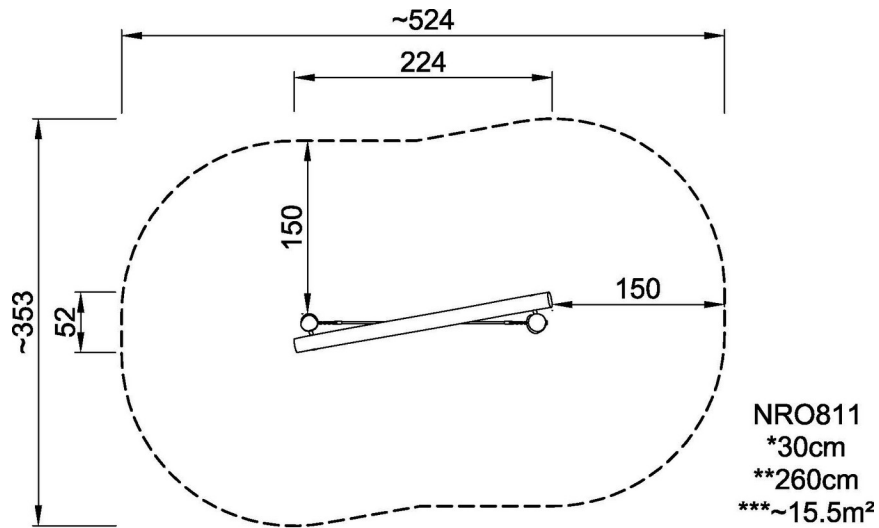


Rope Bridge

NRO811

* Max fall height | ** Total height | *** Safety surfacing area

* Max fall height | ** Total height



[Click to see TOP VIEW](#)

[Click to see SIDE VIEW](#)