

# Forest Tower with Curly Climber

NRO1012



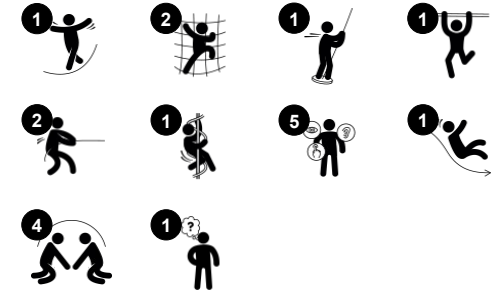
The Forest Tower with Curly Climber is fantastic play inspiration for children. The inclined climbing wall is a challenging access point, which challenges children's cross-coordination skills. This stimulates cross-modal perception, which is fundamental for reading skills. On the platform, there is a nice view of the surroundings, and an important choice to

make on how to get to the ground; the stable slide or the rotating movement of the Curly Climber? Sliding is great for the senses of balance and space, both necessary in judging distances correctly and navigating the world securely. The Curly Climber intensely trains the proprioception and sense of space and balance.

Item no. NRO1012-1021

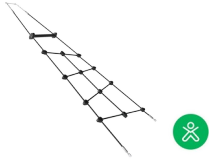
## General Product Information

Dimensions LxWxH	258x419x415 cm
Age group	4+
Play capacity (users)	8
Colour options	



# Forest Tower with Curly Climber

NRO1012



## Climbing net

**Physical:** the inclined net supports the upward climbing movement of the body. The net supports cross-body coordination, which impacts coordination of the right and left part of brain, fundamental for other skills such as the ability to read. The asymmetry of the net challenges the children's climbing.



## Slide

**Physical:** sliding develops spatial awareness and a sense of balance. Furthermore, the core muscles are trained when sitting upright going down. **Social-Emotional:** empathy stimulated by turn-taking.



## Counter

**Physical:** invites climbing, developing cross coordination. This supports cross-modal perception, which is necessary for skills such as reading. **Social-Emotional:** sharing and cooperation from both sides create a social scenario supporting communication and cooperation. **Cognitive:** the counter invites dramatic play scenarios such as playing shop. This stimulates language and communication.



## Curly climber

**Physical:** coordination and proprioception are supported when placing arms and legs correctly for going down. Sense of balance when rotating. Arm muscles for holding tight. **Social-Emotional:** empathy stimulated by turn-taking. **Cognitive:** logical thinking when placing arms and legs right for rotating downwards.

# Forest Tower with Curly Climber

NRO1012



All Organic Robinia products by KOMPAN are made of Robinia wood from sustainable European sources. On request it can be supplied as FSC® Certified (FSC® C004450).



The paint used for coloured components is water based environmentally friendly with excellent UV resistance. The paint is in compliance with EN 71 Part 3.



The product/activities are preassembled from the factory to ensure all safety requirements are considered.

Item no. NRO1012-1021

### Installation Information

Max. fall height	220 cm
Safety surfacing area	31.2 m <sup>2</sup>
Total installation time	15.5
Excavation volume	1.03 m <sup>3</sup>
Concrete volume	0.13 m <sup>3</sup>
Footing depth (standard)	100 cm
Shipment weight	817 kg
Anchoring options	In-ground ✓

### Warranty Information

Robinia wood	15 years
Ropes & nets	10 years
Spare parts guaranteed	10 years
Stainless steel components	Lifetime
Stainless steel components	Lifetime



Ropes of UV-stabilized PES rope strands with inner steel cable reinforcement. The polyester yarn is made from +95% post-consumer materials and is inductively melted onto each strand.



The stainless-steel slides with one-piece slide bed are made of high-quality stainless-steel AISI 304.



The Robinia products are designed with a KOMPAN colour concept with a number of different standard colours. The wood can also be supplied as untreated or with brown painted with a pigment that maintains the wood colour.



# Sustainability Data

NRO1012



Cradle to Gate A1-A3	Total CO <sub>2</sub> emission	CO <sub>2</sub> e/kg	Recycled materials
	kg CO <sub>2</sub> e	kg CO <sub>2</sub> e/kg	%
<b>NRO1012-1021</b>	418.74	0.65	8.99

The overall framework applied for these factors is the Environmental Product Declaration (EPD), which quantifies "environmental information on the life cycle of a product and enable comparisons between products fulfilling the same function" (ISO, 2006). This follows the structure and applies a Life-Cycle Assessment approach to the entire Product stage from raw material through manufacturing (A1-A3))

**Kompan A/S**  
 C.F. Tietgens Boulevard 32C  
 DK-5220 Odense SØ  
 Denmark



## Verification of CO<sub>2</sub> calculation of: Nature play



Data version no. 2023-10-05

The CO<sub>2</sub> calculation and data are in compliance with the principles of a carbon footprint impact according to the GHG protocol (Greenhouse Gas Protocol), Scope 3, cradle to gate related to all individual components in the product category: "Nature play" represented by item no.: NRO409-0621.

(Scope 3 emissions include emission sources in the upstream and downstream value chain).

**Date: 30. October 2023 | Valid until: 30. October 2025**

**Verified by:**

Julie Marie Vejsgaard Larsen, LCA & EPD Consultant

Verification based on report: Validation of CO<sub>2</sub> calculation of 9 categories of Kompan product line, version 1.0, prepared by: Bureau Veritas HSE, Denmark: Julie M. V. Larsen.

**Publication date: 30. October 2023**

**By Bureau Veritas HSE**  
 www.bureauveritas.dk  
 +45 7731 1000

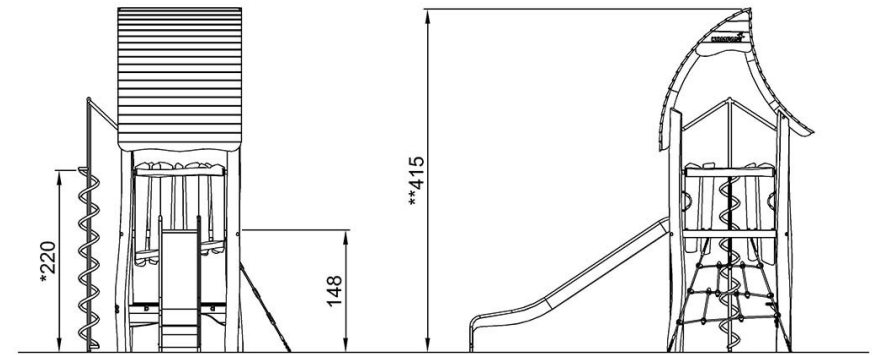
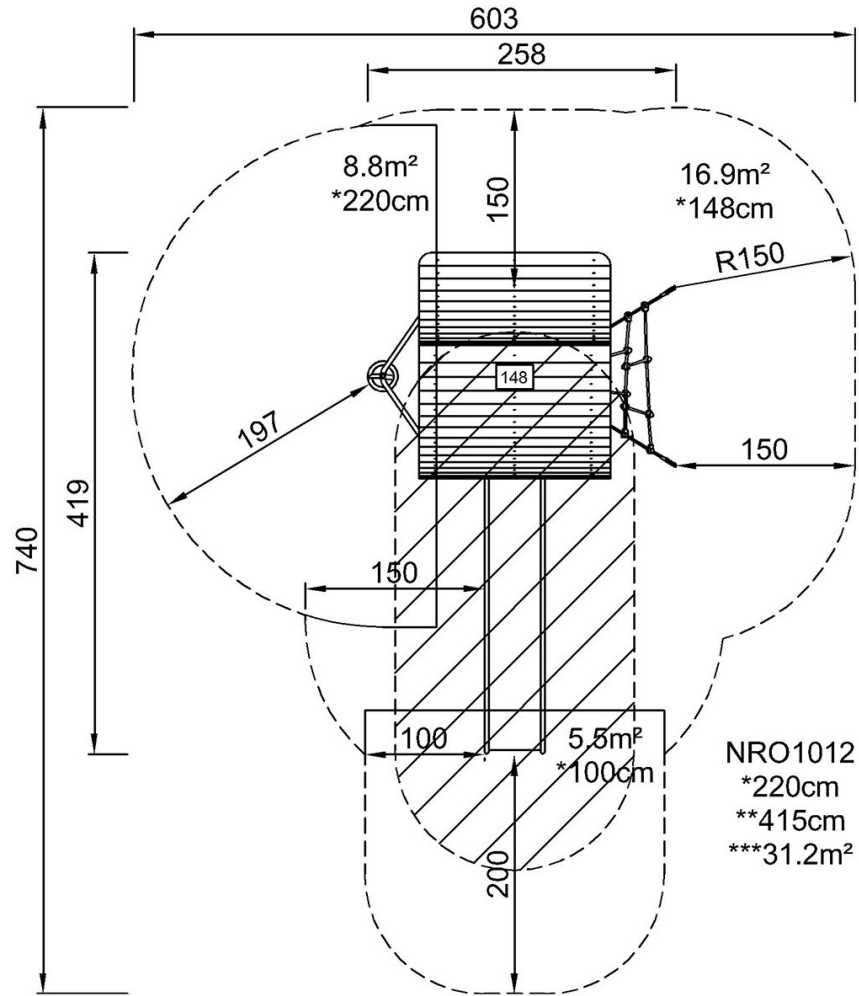


# Forest Tower with Curly Climber

NRO1012

\* Max fall height | \*\* Total height | \*\*\* Safety surfacing area

\* Max fall height | \*\* Total height



NRO1012

[Click to see TOP VIEW](#)

[Click to see SIDE VIEW](#)