

# Chatter Bench with Backrest and Armrest

PAR1156



Item no. PAR1156-0611

## General Product Information

Dimensions LxWxH	5'3"x1'8"x1'5"
Age group	
Play capacity (users)	
Color options	



Outdoor Furniture plays an essential role in our communities by adding an inviting and social atmosphere, a place to meet, socialise or rest. Chatter is classic park furniture designed for social interaction and relaxation. It perfectly blends into public areas like parks and playgrounds etc. Chatter Bench with Backrest and Armrest is the seating possibility for

multiple users. The backrest gives good support when sitting and relaxing, and the armrest makes it easier for users to get back up again.

# Chatter Bench with Backrest and Armrest

PAR1156



Bench is made of pine wood post pressure impregnated class AB with Tanalith E3475 according to EN335.



The steel surfaces are hot dip galvanized inside and outside with lead free zinc. The galvanization has excellent corrosion resistance in outdoor environments and require low maintenance.



KOMPAN outdoor furniture is available for surface and in-ground installation. Surface installation involves anchoring to the base layer, and in-ground installation is direct in-ground or additional hot-dip galvanized steel brackets.

Item no. PAR1156-0611

## Installation Information

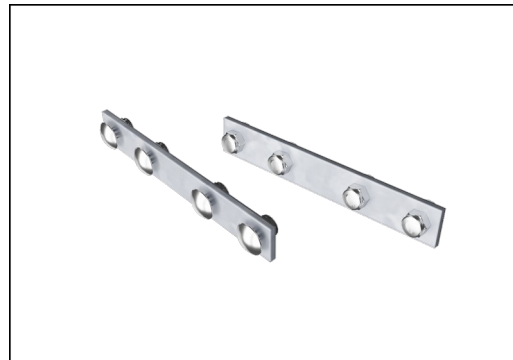
Total installation time	0.9
Excavation volume	0.14yd <sup>3</sup>
Concrete volume	0.12yd <sup>3</sup>
Footing depth (standard)	2'1"
Shipment weight	102lbs
Anchoring options	In-ground ✓

## Warranty Information

Hot dip galvanized steel	Lifetime
Pinewood	10 Years
Spare Parts Availability	10 Years



The benches and tables can be combined in multiple settings by choosing individual products or assembled into larger solutions. See catalog pages for more inspiration.



The hardware is made of stainless steel or galvanized steel to ensure a high corrosion-resistant, durable connection.

# Sustainability Data

PAR1156



Cradle to Gate A1-A3	Total CO <sub>2</sub> emission	CO <sub>2</sub> e/kg	Recycled materials
	kg CO <sub>2</sub> e	kg CO <sub>2</sub> e/kg	%
PAR1156-0611	58.22	1.33	24.04

The overall framework applied for these factors is the Environmental Product Declaration (EPD), which quantifies "environmental information on the life cycle of a product and enable comparisons between products fulfilling the same function" (ISO, 2006). This follows the structure and applies a Life-Cycle Assessment approach to the entire Product stage from raw material through manufacturing (A1-A3))

**Kompan A/S**  
 C.F. Tietgens Boulevard 32C  
 DK-5220 Odense SØ  
 Denmark



## Verification of CO<sub>2</sub> calculation of: Park



Data version no. 2023-10-05

The CO<sub>2</sub> calculation and data are in compliance with the principles of a carbon footprint impact according to the GHG protocol (Greenhouse Gas Protocol), Scope 3, cradle to gate related to all individual components in the product category: "Park" represented by item no.: PAR4070-0001.

(Scope 3 emissions include emission sources in the upstream and downstream value chain).

**Date: 30. October 2023 | Valid until: 30. October 2025**

**Verified by:**

Julie Marie Vejsgaard Larsen, LCA & EPD Consultant

Verification based on report: Validation of CO<sub>2</sub> calculation of 9 categories of Kompan product line, version 1.0, prepared by: Bureau Veritas HSE, Denmark: Julie M. V. Larsen.

**Publication date: 30. October 2023**

**By Bureau Veritas HSE**  
 www.bureauveritas.dk  
 +45 7731 1000

