

# Arm Bike

FSW240



Item no. FSW24000-0001	
<b>General Product Information</b>	
Dimensions LxWxH	2'8"x1'10"x3'9"
Age group	13+
Play capacity (users)	1
Color options	



See KOMPAN Fit App for More Information



The Arm Bike is designed with inclusivity in mind, featuring a seat and adaptable space to accommodate standing or wheelchair-bound users. Its adjustable resistance, powered by a magnetic brake on a flywheel, ensures a smooth cycling experience, ideal for arm workouts. With 10 easily adjustable resistance levels, users can tailor their exercise from

gentle movements to high-intensity interval training, making it suitable for all fitness levels and abilities.

# Arm Bike

FSW240



To ensure the integrity of the machine, the orange-colored main posts are made of  $\varnothing 101.6$  x 3mm s235 steel posts, which are hot dip galvanized and powder coated.



The Arm Bike accommodate 3 exercising positions, standing, seated in a wheelchair or seated on the seat. The handles have a diameter of  $\varnothing 36$ mm and are placed under a 30-degree angle.



The magnetic resistance system is fully covered and can be adjusted with a rotatable handle in 10 steps. The selector system is intuitive in use, you rotate the handle to select a different amount of resistance.



The resistance unit and all mechanical parts are hidden in the fully closed cabinet which is made from UV-stabilized Polycarbonate (PC). As a result, entrapment is not possible, making it extremely safe to use and providing protection against the elements.



The machine is equipped with a weighted flywheel that ensures that the motion stays fluid and comfortable during use.



Seat is made of Ekogrip™ panel that consist of a 15mm thick PE base with 3 mm top-layer of soft rubber with a non-skid effect.

Item no. FSW24000-0001

### Installation Information

Max. fall height	2'0"
Safety surfacing area	58ft <sup>2</sup>
Total installation time	2.1
Excavation volume	0yd <sup>3</sup>
Concrete volume	0yd <sup>3</sup>
Footing depth (standard)	0'0"
Shipment weight	225lbs
Anchoring options	Surface ✓

### Warranty Information

Handle	10 Years
Movable parts	2 Years
Polycarbonate PC panels	10 Years
Spare Parts Availability	10 Years
Steel frame	10 Years

**ASTM  
F3101**  
compliant

# Sustainability Data

FSW240



Cradle to Gate A1-A3	Total CO <sub>2</sub> emission	CO <sub>2</sub> e/kg	Recycled materials
	kg CO <sub>2</sub> e	kg CO <sub>2</sub> e/kg	%
<b>FSW24000-0001</b>	197.12	3.26	43.06

The overall framework applied for these factors is the Environmental Product Declaration (EPD), which quantifies "environmental information on the life cycle of a product and enable comparisons between products fulfilling the same function" (ISO, 2006). This follows the structure and applies a Life-Cycle Assessment approach to the entire Product stage from raw material through manufacturing (A1-A3))

**Kompan A/S**  
 C.F. Tietgens Boulevard 32C  
 DK-5220 Odense SØ  
 Denmark



## Verification of CO<sub>2</sub> calculation of: Fitness



Data version no. 2023-10-05

The CO<sub>2</sub> calculation and data are in compliance with the principles of a carbon footprint impact according to the GHG protocol (Greenhouse Gas Protocol), Scope 3, cradle to gate related to all individual components in the product category: "Fitness" represented by item no.: FAZ10100-0900.

(Scope 3 emissions include emission sources in the upstream and downstream value chain).

**Date: 30. October 2023 | Valid until: 30. October 2025**

Verified by:

Julie Marie Vejsgaard Larsen, LCA & EPD Consultant

Verification based on report: Validation of CO<sub>2</sub> calculation of 9 categories of Kompan product line, version 1.0, prepared by: Bureau Veritas HSE, Denmark: Julie M. V. Larsen.

**Publication date: 30. October 2023**

By Bureau Veritas HSE  
 www.bureauveritas.dk  
 +45 7731 1000

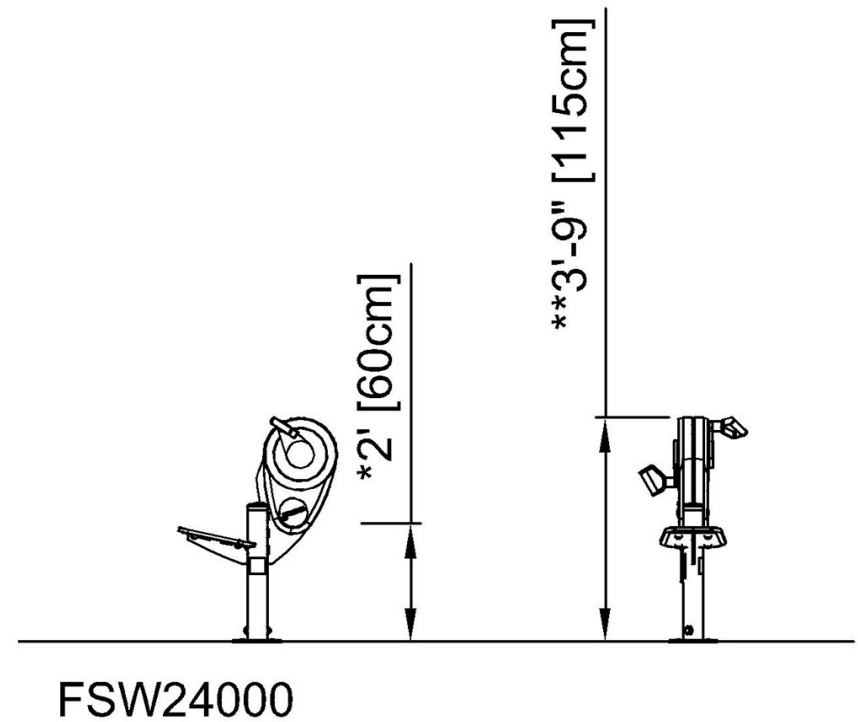
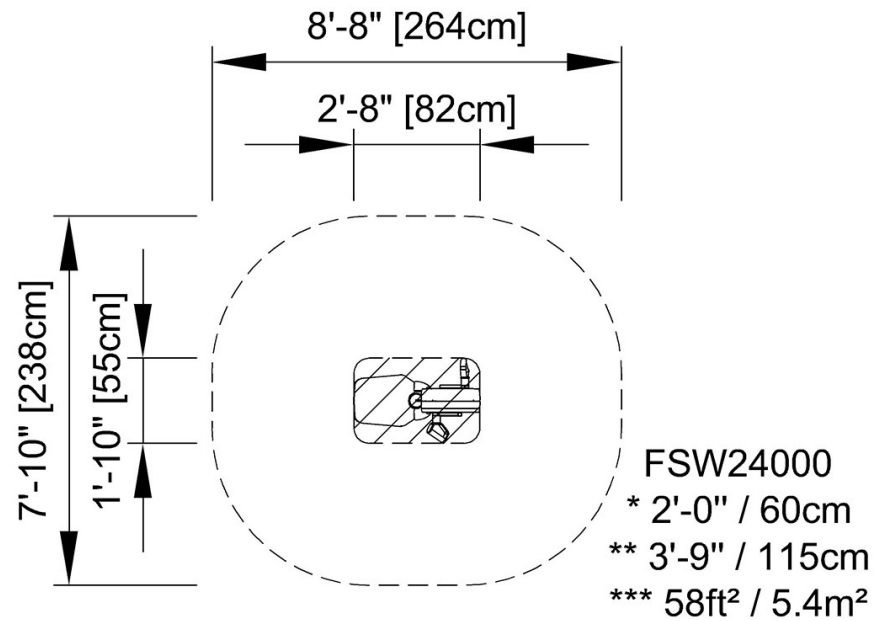


# Arm Bike

FSW240

\* Max fall height | \*\* Total height | \*\*\* Safety surfacing area

\* Max fall height | \*\* Total height



[Click to see TOP VIEW](#)

[Click to see SIDE VIEW](#)