

Little Spider Swing

M952

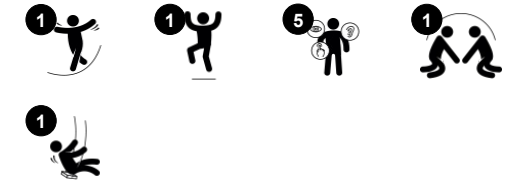
KOMPAN
Let's play



产品编号 M95201-1001

产品信息概览

长宽高尺寸	277x106x147 cm
适用年龄段	2+
容纳人数	7
颜色选择	



The Little Spider Swing will attract children again and again. It offers a lot of play in a little space. Swinging the bird's nest seat develops children's sense of balance and coordination, which are fundamental for all other motor skills. There is also a cognitive aspect to this type of play, as toddlers develop the concept of cause and effect related to their bodies and objects.

The nest seat can fit multiple users, making it a social experience where children can play together and cooperate. The seat caters for all abilities and most ages allowing it to be a shared experience. Pushing each other and taking turns teaches children important social-emotional skills. It can also be used individually for a more relaxing swing. It is possible to lie,

sit and stand on the seat, which all support the development of arm, leg, and core muscles as well as building bone density when jumping off.



Little Spider Swing

M952



秋千

身体素质：develops balance, coordination and spatial awareness. The swinging movement trains the arm, leg and core muscles, and strengthens bone density when jumping off. **社交情感**：宽敞的座椅可让许多儿童站着、躺着或坐在一起，且对所有人都具有包容性。 **认知能力**：培养幼儿对因果关系的理解、节奏感和思维能力。



Little Spider Swing

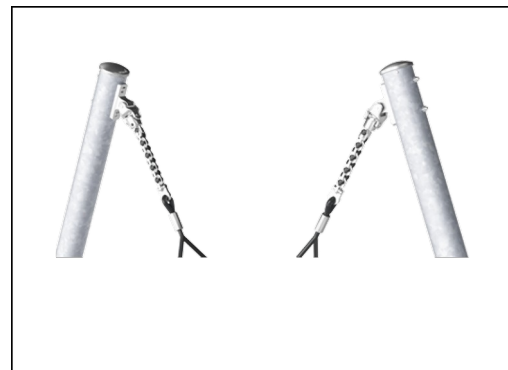
M952



钢表面内外均采用无铅热镀锌镀层，户外耐蚀性高，维护成本低。



KOMPAN 设计的鸟巢秋千座椅重量轻且符合全球安全标准。柔软减震的防滑表面保险杠使秋千座椅极为用户友好。绳索可选增强型 PA 绳或模制 PE 绳。两者均配有软橡胶缓冲器。



秋千吊架由不锈钢支架制成，可以在两个轴上移动。法兰轴承富含硅树脂，使悬架免维护。绳索的连接由不锈钢链条制成。



具有热浸镀锌钢脚的主立柱有不同的材料可供选择：压力浸渍松木立柱；在内外进行了预镀锌处理，顶部涂有粉末涂层的钢柱；无铅铝，表面阳极氧化处理。



The swing seats can be customized to your preference and personalized with a variety of Kompan colors for both the Shell and Rope versions.

产品编号 M95201-1001

安装信息

最大跌落高度	85 cm
安全面积	11.3 m ²
安装总时长	2.0
开挖量	0.54 m ³
混凝土使用量	0.54 m ³
标准入地深度	100 cm
运输重量	92 kg
固定选项	入地 ✓

质保信息

Corocord 绳索	10 年
镀锌钢结构	终身质保
承保零部件	10 年
秋千悬挂	5 年
秋千座椅	10 年



Sustainability Data

M952



从原材料到成品

CO₂ 排放总量

kg CO₂e

CO₂ 排放量 / 千克

kg CO₂e/kg

回收的原料

%

M95201-1001

269.95

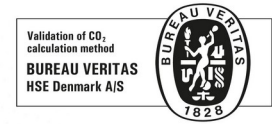
3.82

37.65

这些因素采用的总体框架为环保产品声明 (EPD), 该声明可量化“产品生命周期的环保信息, 并对相同功能的产品进行对比” (ISO, 2006)。在遵循该框架的同时, 对从原材料到制造的整个产品阶段 (A1-A3) 应用生命周期评估法。

Kompan A/S

C.F. Tietgens Boulevard 32C
DK-5220 Odense SØ
Denmark



Verification of CO₂ calculation of: Themed play systems



Data version no. 2023-10-05

The CO₂ calculation and data are in compliance with the principles of a carbon footprint impact according to the GHG protocol (Greenhouse Gas Protocol), Scope 3, cradle to gate related to all individual components in the product category: "Themed play systems" represented by item no.: MSC641100-3717P.

(Scope 3 emissions include emission sources in the upstream and downstream value chain).

Date: 30. October 2023 | Valid until: 30. October 2025

Verified by:

Julie Marie Vejsgaard Larsen, LCA & EPD Consultant

Verification based on report: Validation of CO₂ calculation of 9 categories of Kompan product line, version 1.0, prepared by: Bureau Veritas HSE, Denmark: Julie M. V. Larsen.

Publication date: 30. October 2023

By Bureau Veritas HSE
www.bureauveritas.dk
+45 7731 1000

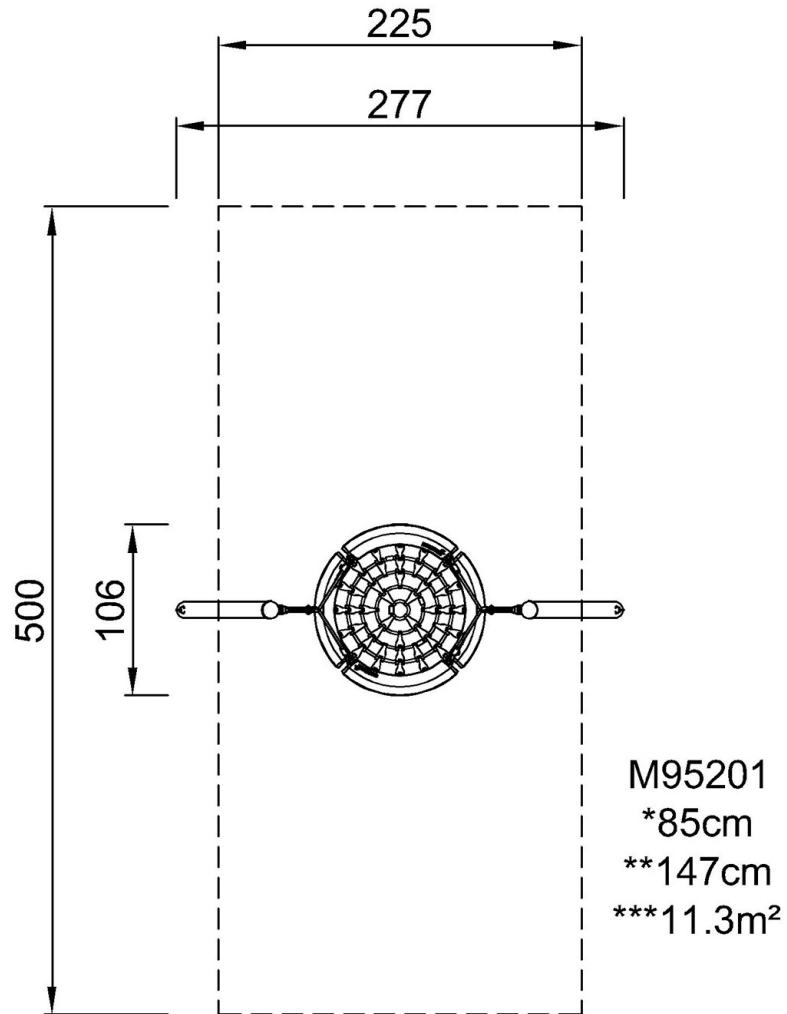


Little Spider Swing

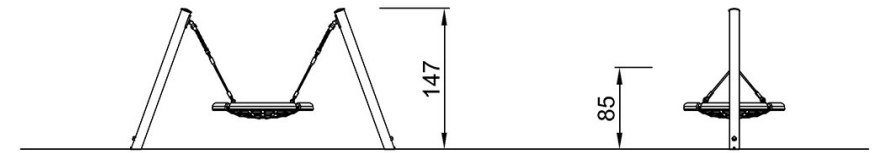
M952

最大跌落高度 | 总高度 | 安全区域

最大跌落高度 | 总高度



[点击查看俯视图](#)



M95201

[点击查看侧面图](#)