

Four Tower with Bridges

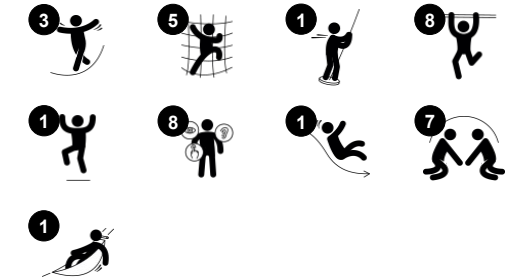
PCM410421

KOMPAN
Let's play

产品编号 PCM410421-0951

产品信息概览

长宽高尺寸	428x669x380 cm
适用年龄段	4+
容纳人数	26
颜色选择	



The four tower play universe is a magnet for climbing, balancing and rough-and-tumble play, its transparency and play variation is a haven for older children. The transparency makes it possible to see all the other children playing, stimulating social interaction and positive competition making play last for longer. The longer children are playing new games are

created such as, do-not-touch-the-ground meaning children test out a wide scope of physical competences and social skills. The variety of nets and balance links challenge children's agility, balance and cross-coordination whilst allowing for more children to play together in groups. There are varied entry points to the tower, from the fast access stairs

and climbing wall to the inclined crawling access, ensures the tower is suitable for a variety of ages and user abilities.

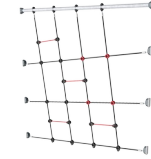
Four Tower with Bridges

PCM410421



滑梯

身体素质：玩滑梯可以培养空间感和平衡感。此外，在直立向下坐时，核心肌肉也能得到锻炼。**社交情感：**轮流玩耍时可激发同理心。



攀爬网

身体素质：训练跨体协调能力和肌肉力量。绳网的不对称也锻炼儿童的攀爬能力。**社交情感：**绳网中的大网格可以让更多的孩子坐在一起分享交流。



Plank bridge

身体素质：balancing across the plank develops the vestibular system as well as cross coordination. **社交情感：**passing other children takes co-operation and teaches children turn-taking skills.



Fireman's pole

身体素质：当下降时，协调得到支持，同时也锻炼了手臂和核心肌肉。着地时会增强骨密度，这对于儿童早期生活中的骨骼建设至关重要。**社交情感：**训练轮流意识和风险意识。



Rapella

身体素质：训练交叉协调能力、本体感觉和空间感。腿部和核心肌肉得到了充分锻炼。当孩子们在绳索中向上拉自己时，上半身的肌肉也得到了锻炼。**社交情感：**轮流发言和自我调节，这两项都是重要的生活技能。



Climbing wall

身体素质：培养儿童攀爬时的交叉协调能力、手眼协调能力和肌肉力量。**社交情感：**双面攀爬活动需要合作意识。

Four Tower with Bridges

PCM410421



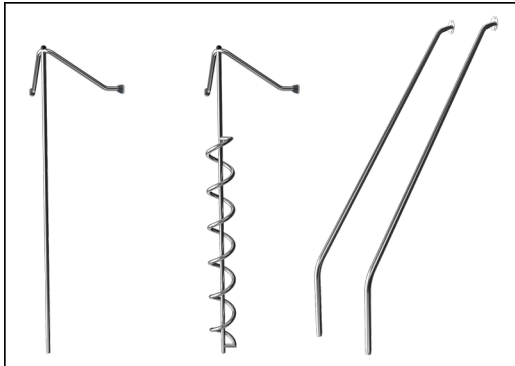
19 毫米 EcoCore™ 面板。EcoCore™ 是一种高度耐用、环保的材料，不仅在使用后可回收利用，而且还包含由 100 % 食品包装可循环材料制成的芯。



所有平台底板均由独特设计的低碳铝型材支撑，并具有多种加配选择。灰色模制平台底板由 75% 消费后的海洋可循环 PP 材料制成，具有防滑图案和表面纹理。



Main posts with hot dip galvanized steel footing are available in different materials: Pressure impregnated pine wood posts. Pre-galvanized inside and outside with powder coated top finish steel posts. Lead free aluminum with color anodized top finish. Greenline TexMade posts of 95% post-consumer recycled PE and textile waste.



不锈钢游戏活动部件由优质不锈钢制成。在制造后使用酸洗工艺对钢进行清洁，以确保光滑和清洁的顺滑表面。



载玻片可以选择六种不同的颜色和树形材料：直的或弯曲的一体式成型 PE 载玻片。结合 EcoCore™ 侧面和不锈钢。全不锈钢一体式设计，更多防破坏解决方案。



KOMPAN 环保系列产品采用终极环保材料设计，具有最低可能性的二氧化碳排放当量系数。TexMade 立柱，100% 消费后的海洋可循环材料制成的 EcoCore™ 面板和模制 PP 平台底板。

产品编号 PCM410421-0951

安装信息

最大跌落高度	224 cm
安全面积	55.2 m ²
安装总时长	27.1
开挖量	0.79 m ³
混凝土使用量	0.06 m ³
标准入地深度	90 cm
运输重量	1,118 kg
固定选项	入地 ✓ 地表 ✓

质保信息

EcoCore HDPE	终身质保
立柱	10 年
PP 板	10 年
绳网	10 年
承保零部件	10 年



Sustainability Data

PCM410421



从原材料到成品

CO₂ 排放总量

kg CO₂e

CO₂ 排放量 / 千克

kg CO₂e/kg

回收的原料

%

PCM410421-0951

1,518.39

1.98

68.41

PCM410421-0905

1,890.45

3.12

48.72

这些因素采用的总体框架为环保产品声明 (EPD), 该声明可量化“产品生命周期的环保信息, 并对相同功能的产品进行对比” (ISO, 2006)。在遵循该框架的同时, 对从原材料到制造的整个产品阶段 (A1-A3) 应用生命周期评估法。

Kompan A/S

C.F. Tietgens Boulevard 32C
DK-5220 Odense SØ
Denmark

Validation of CO₂ calculation method
BUREAU VERITAS
HSE Denmark A/S



Verification of CO₂ calculation of: Play systems



Data version no. 2023-10-05

The CO₂ calculation and data are in compliance with the principles of a carbon footprint impact according to the GHG protocol (Greenhouse Gas Protocol), Scope 3, cradle to gate related to all individual components in the product category: "Play systems" represented by item no.: PCM200321-0950.

(Scope 3 emissions include emission sources in the upstream and downstream value chain).

Date: 30. October 2023 | Valid until: 30. October 2025

Verified by:

Julie Marie Vejsgaard Larsen, LCA & EPD Consultant

Verification based on report: Validation of CO₂ calculation of 9 categories of Kompan product line, version 1.0, prepared by: Bureau Veritas HSE, Denmark: Julie M. V. Larsen.

Publication date: 30. October 2023

By Bureau Veritas HSE
www.bureauveritas.dk
+45 7731 1000

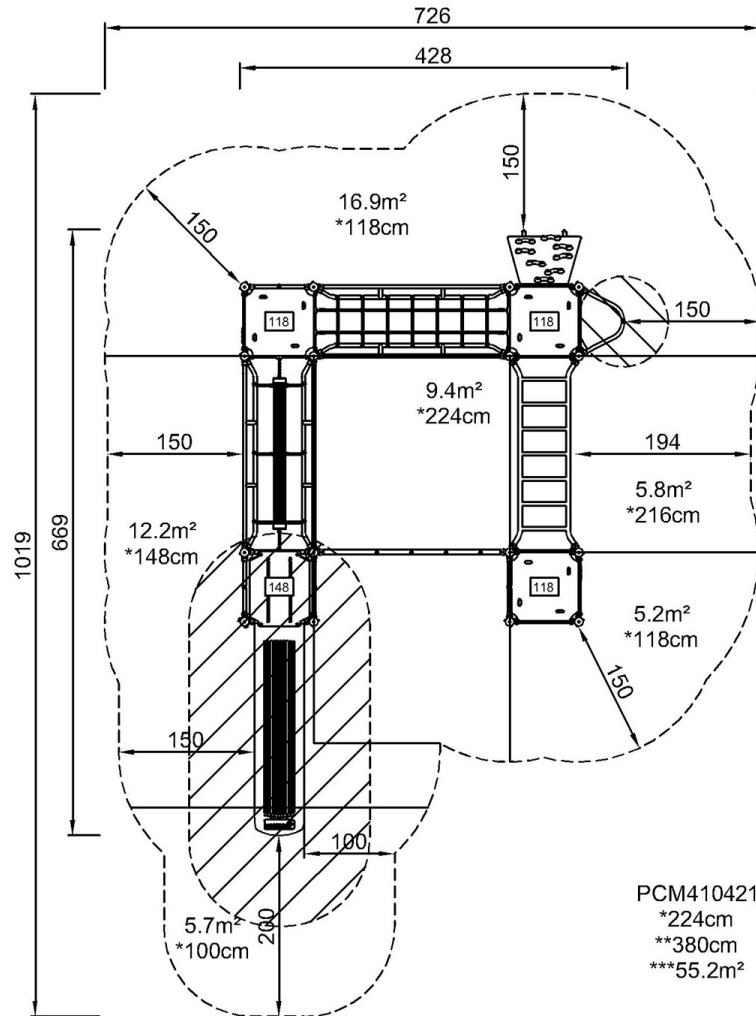


Four Tower with Bridges

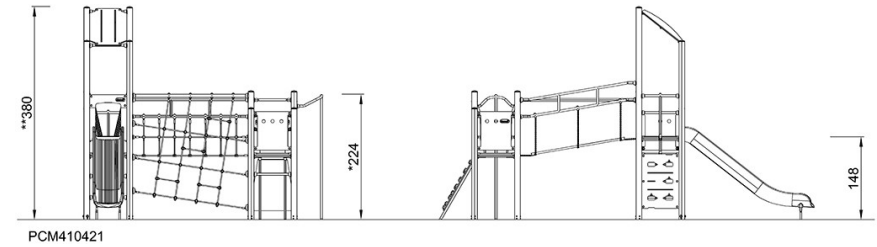
PCM410421

最大跌落高度 | 总高度 | 安全区域

最大跌落高度 | 总高度



[点击查看俯视图](#)



[点击查看侧面图](#)