

Parallel Bars

FPW201



Item no. FPW20100-0900	
General Product Information	
Dimensions LxWxH	197x63x106 cm
Age group	8+
Play capacity (users)	2
Color options	

Street workout is a physical activity that symbolises the freedom of movement and encourages socialising. It is a combination of athletics, calisthenics and other sports, and mostly performed in the public space. A Parallel Bar can be found on every street workout area to train the upper body and core stability. The Parallel Bar fits really well in an Obstacle

Course. The rounded corners make it easy to swing your legs across the Parallel Bars, making it safe to try new tricks without the risk of injuries.



Parallel Bars

FPW201



Post are made of $\varnothing 101.6 \times 2$ mm, pre-galvanized carbon steel and powder coated, a great protection to all conditions.



Bars intended as grips during exercises are made of hot-dip galvanised steel $\varnothing 38$ mm. A great diameter to support the wrist when doing dips or handstands.



The connectors are made of die-cast aluminium, specially alloyed for the outdoor environments and heavy usage. The screws attaching the connectors are stainless steel and protected by zinc washers.

Item no. FPW20100-0900

Installation Information

Max. fall height	106 cm
Safety surfacing area	16.0 m ²
Total installation time	2.6
Excavation volume	0.25 m ³
Concrete volume	0.14 m ³
Footing depth (standard)	90 cm
Shipment weight	83 kg
Anchoring options	



Sustainability Data

FPW201



Cradle to Gate A1-A3	Total CO ₂ emission	CO ₂ e/kg	Recycled materials
	kg CO ₂ e	kg CO ₂ e/kg	%
FPW20100-0900	189.80	3.38	48.10

The overall framework applied for these factors is the Environmental Product Declaration (EPD), which quantifies "environmental information on the life cycle of a product and enable comparisons between products fulfilling the same function" (ISO, 2006). This follows the structure and applies a Life-Cycle Assessment approach to the entire Product stage from raw material through manufacturing (A1-A3))

Kompan A/S
 C.F. Tietgens Boulevard 32C
 DK-5220 Odense SØ
 Denmark



Verification of CO₂ calculation of: Fitness



Data version no. 2023-10-05

The CO₂ calculation and data are in compliance with the principles of a carbon footprint impact according to the GHG protocol (Greenhouse Gas Protocol), Scope 3, cradle to gate related to all individual components in the product category: "Fitness" represented by item no.: FAZ10100-0900.

(Scope 3 emissions include emission sources in the upstream and downstream value chain).

Date: 30. October 2023 | Valid until: 30. October 2025

Verified by:

Julie Marie Vejsgaard Larsen, LCA & EPD Consultant

Verification based on report: Validation of CO₂ calculation of 9 categories of Kompan product line, version 1.0, prepared by: Bureau Veritas HSE, Denmark: Julie M. V. Larsen.

Publication date: 30. October 2023

By Bureau Veritas HSE
 www.bureauveritas.dk
 +45 7731 1000

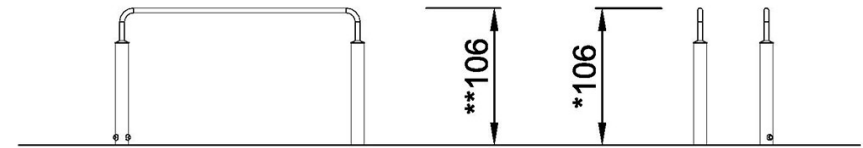
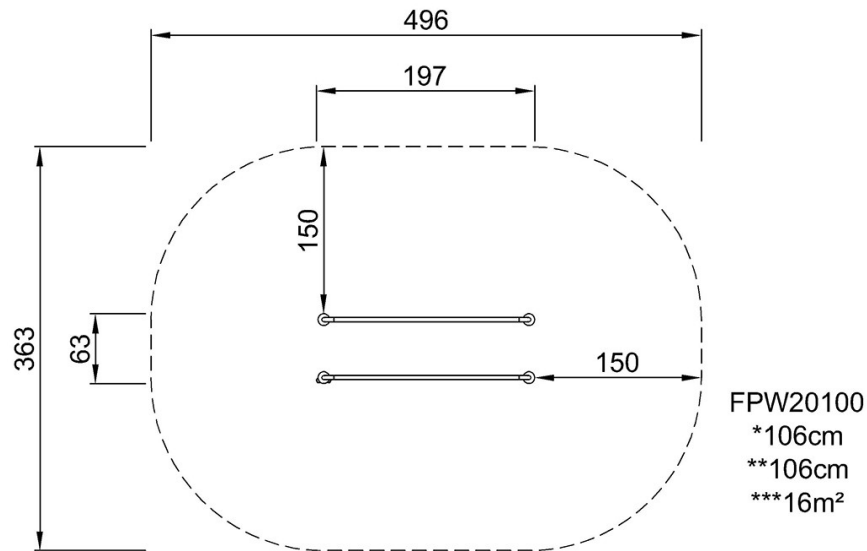


Parallel Bars

FPW201

* Max fall height | ** Total height | *** Safety surfacing area

* Max fall height | ** Total height



FPW20100
1:100

[Click to see TOP VIEW](#)

[Click to see SIDE VIEW](#)