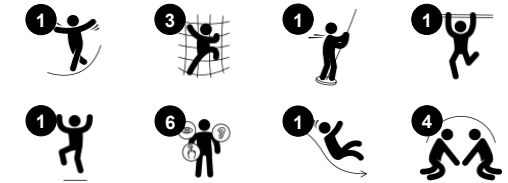


Double Tower with Net

PCM200121



Item no. PCM200121-0902	
General Product Information	
Dimensions LxWxH	586x223x251 cm
Age group	2+
Play capacity (users)	14
Color options	



The fun double tower play unit invites physical play. It offers great classic play events that will motivate play again and again, for many children. The big meshed net is a great climbing and hanging destination, a place to train cross-coordination as well as social interaction. The climbing opportunities are many: the sturdy steel rungs provide a fast

access to the towers. The inclined climbing wall offers varied climbing, demanding more from feet and hand muscles and coordination. Sliding is varied, too: there is the standard, seated slide. Sliding tickles the stomach and trains the core muscles. The fireman's pole offers thrill for braveheart: Spatial awareness is trained, and bone density built when gliding

down full speed. The platforms and the space under the platform offer meeting spaces for all.



Double Tower with Net

PCM200121



Panels of 19mm EcoCore™. EcoCore™ is a highly durable, eco friendly material, which is not only recyclable after use, but also consists of material produced from +95% recycled post consumer material from food packing waste.



Main posts with hot dip galvanized steel footing are available in different materials: Pressure impregnated pine wood posts. Pre-galvanized inside and outside with powder coated top finish steel posts. Lead free aluminum with color anodized top finish. Greenline TexMade posts of 95% post-consumer recycled PE and textile waste.

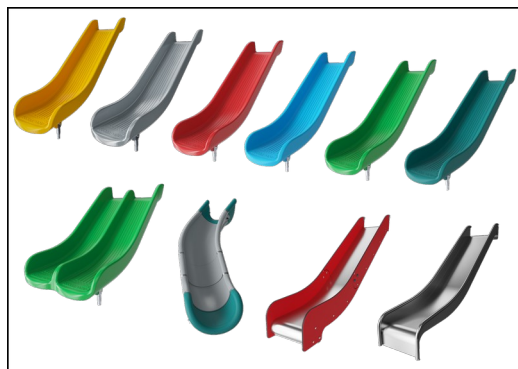


All decks are supported by unique designed low-carbon aluminum profiles with multiple attachment options. The grey colored molded decks are made of 75% post-consumer waste PP material with a non-skid pattern and texture surface.

Item no. PCM200121-0902

Installation Information

Max. fall height	224 cm
Safety surfacing area	35.2 m ²
Total installation time	16.2
Excavation volume	0.47 m ³
Concrete volume	0.00 m ³
Footing depth (standard)	85 cm
Shipment weight	518 kg
Anchoring options	



The slides can be chosen in six different colors and three materials: Straight or curved one-piece molded PE slides, made from 33% recycled post-consumer materials in different colours. Combined EcoCore™ sides and stainless-steel. Full stainless steel in one piece design for more vandalism proof solutions.



Ropes of UV-stabilized PES rope strands with inner steel cable reinforcement. The polyester yarn is made from +95% post-consumer materials and is inductively melted onto each strand.



KOMPAN GreenLine versions are designed with ultimate environmentally friendly materials with lowest possible CO2e emission factor. TexMade post, EcoCore™ panels of 95% post-consumer recycled waste and molded PP decks.



Sustainability Data

PCM200121



Cradle to Gate A1-A3	Total CO ₂ emission	CO ₂ e/kg	Recycled materials
	kg CO ₂ e	kg CO ₂ e/kg	%
PCM200121-0951	761.80	1.82	69.10
PCM200121-0902	931.20	2.52	56.60

The overall framework applied for these factors is the Environmental Product Declaration (EPD), which quantifies "environmental information on the life cycle of a product and enable comparisons between products fulfilling the same function" (ISO, 2006). This follows the structure and applies a Life-Cycle Assessment approach to the entire Product stage from raw material through manufacturing (A1-A3))

Kompan A/S
C.F. Tietgens Boulevard 32C
DK-5220 Odense SØ
Denmark



Verification of CO₂ calculation of: Play systems



Data version no. 2023-10-05

The CO₂ calculation and data are in compliance with the principles of a carbon footprint impact according to the GHG protocol (Greenhouse Gas Protocol), Scope 3, cradle to gate related to all individual components in the product category: "Play systems" represented by item no.: PCM200321-0950.

(Scope 3 emissions include emission sources in the upstream and downstream value chain).

Date: 30. October 2023 | Valid until: 30. October 2025

Verified by:

Julie Marie Vejsgaard Larsen, LCA & EPD Consultant

Verification based on report: Validation of CO₂ calculation of 9 categories of Kompan product line, version 1.0, prepared by: Bureau Veritas HSE, Denmark: Julie M. V. Larsen.

Publication date: 30. October 2023

By Bureau Veritas HSE
www.bureauveritas.dk
+45 7731 1000

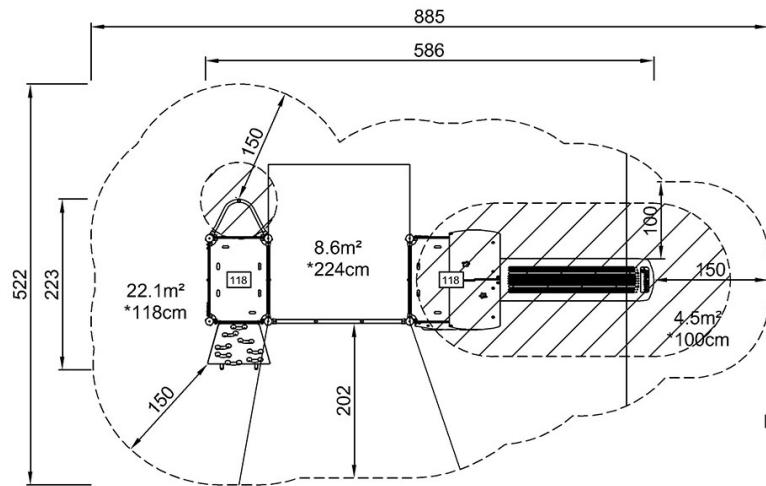


Double Tower with Net

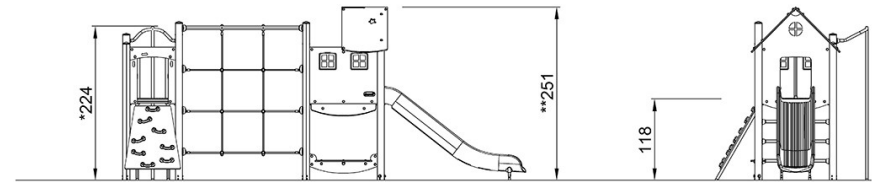
PCM200121

* Max fall height | ** Total height | *** Safety surfacing area

* Max fall height | ** Total height



PCM200121
*224cm
**251cm
***35.2m²



PCM200121

[Click to see TOP VIEW](#)

[Click to see SIDE VIEW](#)