

Oasis Gravel Pit


NRO532



The Oasis Gravel Pit is the pinnacle of sand play exploration. At each end there is the innovative chain scoop on a crane that can swing left and right, as well as be pulled up and down. When the chain is let go, the sand scoop stays in its position, so the negotiation and cooperation to get sand to and from the sand table develops social and logical thinking skills.

Next to each sand crane is a table with sieve and tube, where children watch the sand fall onto a wheel, and end up playing all around and through this incredible play structure. All ages and abilities can explore the dynamics of sand on this one play item, which is made of beautiful Robinia timber. Robinia provides an organic structure, that can either blend into or

stand out from your surrounds. Children can touch and feel the timber, observing how nature inspiration interacts with the built environment.

Item no. NRO532-1021	
General Product Information	
Dimensions LxWxH	446x348x337 cm
Age group	2+
Play capacity (users)	25
Colour options	



Data is subject to change without prior notice.

Oasis Gravel Pit

NRO532



Slope

Physical: inclined crawling or walking up or down develops the sense of balance and cross coordination. **Social-Emotional:** the inclination makes climbing feel secure, especially for younger children.



Sand shovel

Physical: develops dexterity and upper body muscles. **Cognitive:** understanding of object permanence, emptying and filling scoop.



Sand crane

Physical: hoisting the basket up and down trains arm muscles and dexterity. **Social-Emotional:** cooperating with others e.g. receiving the bucket trains cooperation skills. **Cognitive:** understanding the mechanism of the chains hoisting buckets up and down supports logical thinking skills. **Creative:** working with moveable play items that can leave a mark supports the child's creativity.



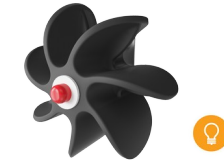
Sand desk with bowl and sieve

Social-Emotional: children can gather and store materials, cooperate and take a break together. **Creative:** sand can be shifted through the sieve, for understanding of 'cause and effect' and object permanence.



Sand desk with funnel

Social-Emotional: children can gather and store materials, cooperate and take a break together. **Cognitive:** sand can be shifted through the funnel, for understanding of cause and effect and object permanence: that materials don't vanish but run through at the other end.



Sand wheel

Cognitive: the turning sand wheel stimulates cause and effect understanding.

Oasis Gravel Pit

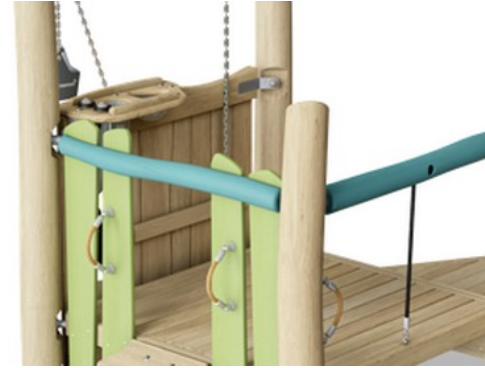
NRO532



All organic Robinia products by KOMPAN are made of Robinia wood which is sourced from sustainable plantation farms. On request it can be supplied as FSC® Certified (FSC® C004450).



The paint used for coloured components is water based, which is environmentally friendly and has excellent UV resistance. The paint complies with Australian Standards.



The Robinia products come in a number of standard colour options. The wood can also be supplied as untreated or with brown painted with a pigment that maintains the wood colour.



The product/activities are preassembled from the factory to ensure all safety requirements are considered.

Item no. NRO532-1021	
Installation Information	
Max. fall height	88 cm
Safety surfacing area	36.9 m ²
Total installation time	27.2
Excavation volume	0.97 m ³
Concrete volume	0.19 m ³
Footing depth (standard)	100 cm
Shipment weight	1,239 kg
Anchoring options	In-ground ✓
Warranty Information	
Robinia Wood	15 years
Ropes & Nets	10 years
Spare Parts Guarantee	10 years
Stainless Steel Components	Lifetime
Stainless Steel Components	Lifetime



Sustainability Data

NRO532



Cradle to Gate A1-A3	Total CO ₂ emission	CO ₂ e/kg	Recycled materials
	kg CO ₂ e	kg CO ₂ e/kg	%
NRO532-1021	467.43	0.47	4.88

The overall framework applied for these factors is the Environmental Product Declaration (EPD), which quantifies "environmental information on the life cycle of a product and enable comparisons between products fulfilling the same function" (ISO, 2006). This follows the structure and applies a Life-Cycle Assessment approach to the entire Product stage from raw material through manufacturing (A1-A3))

Kompan A/S
 C.F. Tietgens Boulevard 32C
 DK-5220 Odense SØ
 Denmark



Verification of CO₂ calculation of: Nature play



Data version no. 2023-10-05

The CO₂ calculation and data are in compliance with the principles of a carbon footprint impact according to the GHG protocol (Greenhouse Gas Protocol), Scope 3, cradle to gate related to all individual components in the product category: "Nature play" represented by item no.: NRO409-0621.

(Scope 3 emissions include emission sources in the upstream and downstream value chain).

Date: 30. October 2023 | Valid until: 30. October 2025

Verified by:

Julie Marie Vejsgaard Larsen, LCA & EPD Consultant

Verification based on report: Validation of CO₂ calculation of 9 categories of Kompan product line, version 1.0, prepared by: Bureau Veritas HSE, Denmark: Julie M. V. Larsen.

Publication date: 30. October 2023

By Bureau Veritas HSE
 www.bureauveritas.dk
 +45 7731 1000

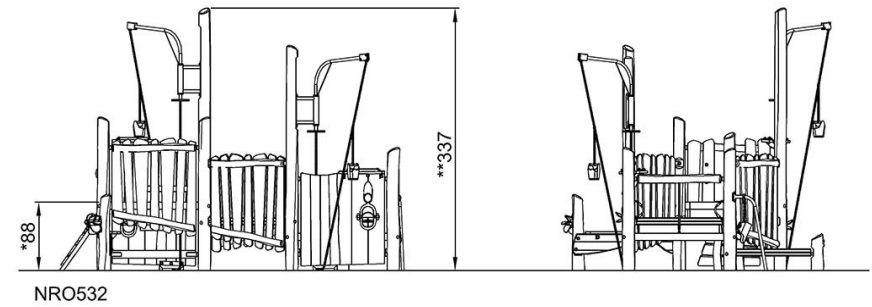
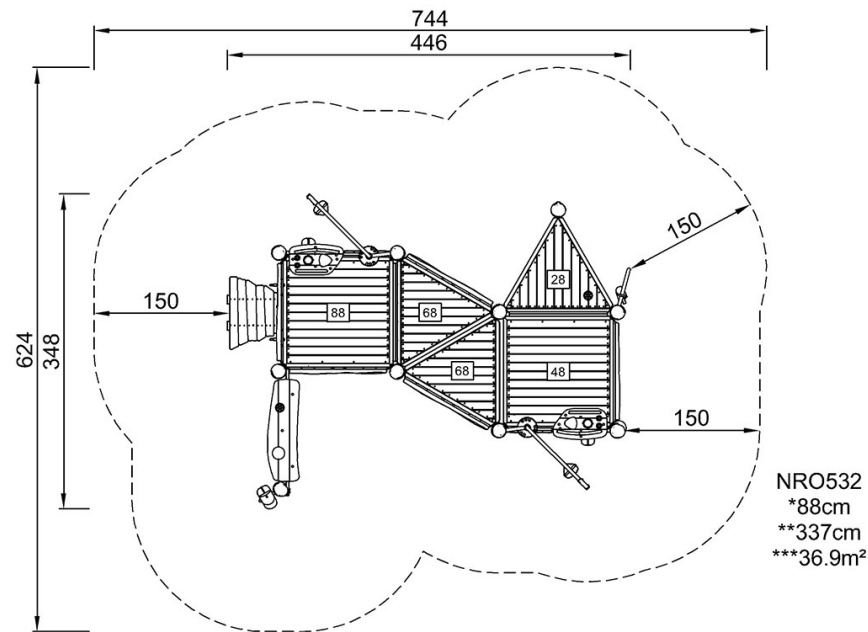


Oasis Gravel Pit

NRO532

* Max fall height | ** Total height | *** Safety surfacing area

* Max fall height | ** Total height



[Click to see TOP VIEW](#)

[Click to see SIDE VIEW](#)