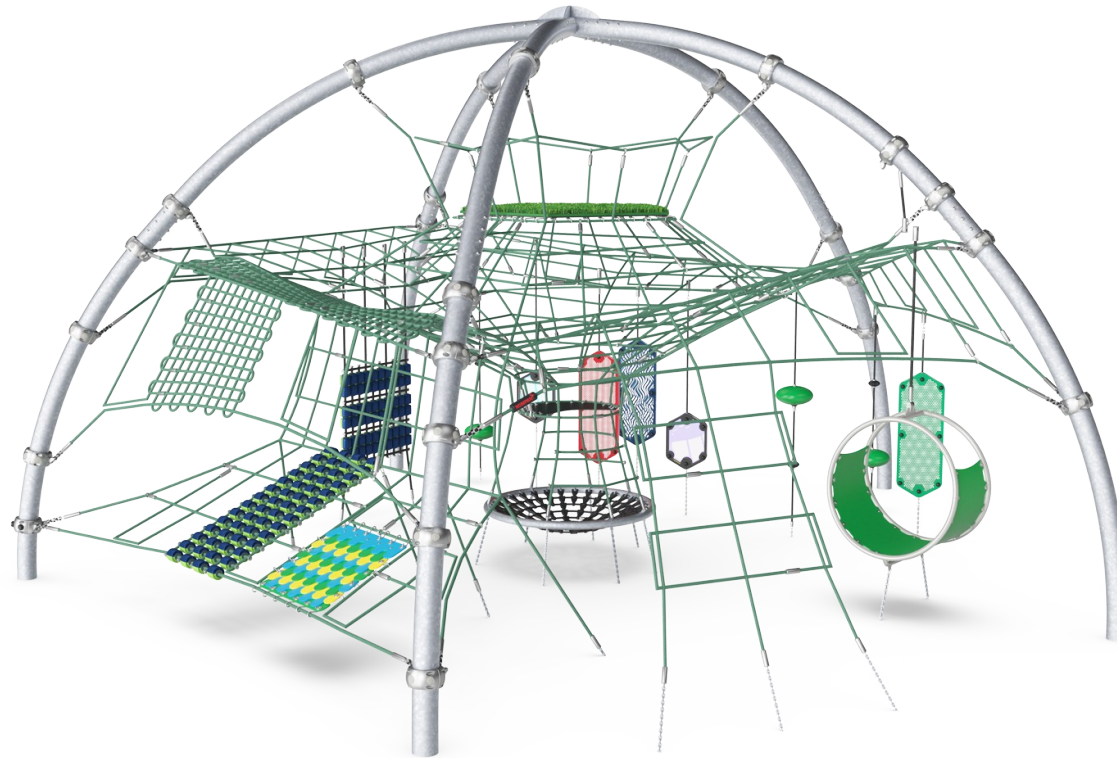


Sensory Dome

CRP812001



Item no. CRP812001-0404	
General Product Information	
Dimensions LxWxH	777x739x415 cm
Age group	5 - 12
Play capacity (users)	60
Colour options	● ● ●



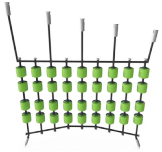
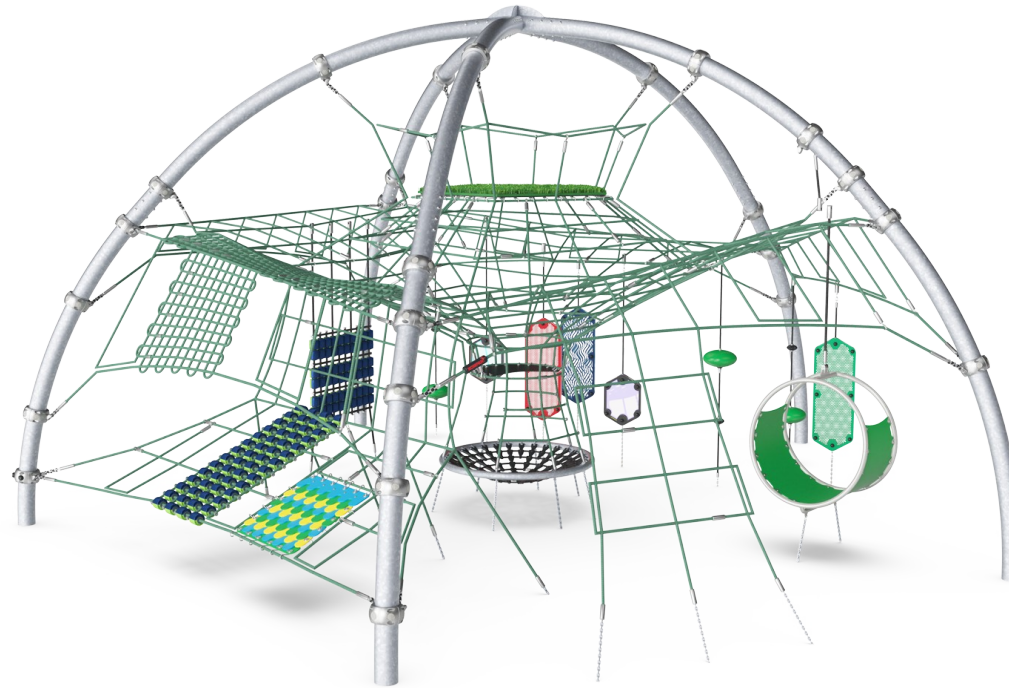
Children get a kick from the Sensory Dome: thrills, chills and wonderful optic phenomena in a friendly, fun sensory playscape. The Sensory Dome features a rich variety of novel play activities that intrigue, retain and develop children of all abilities in play. The huge nets are suspended vertically as well as horizontally to cater for climbs that are thrilling and meeting

points for chilling. The age-appropriate training of muscles and motor skills when crawling, climbing and navigating through the net scape of the Dome provide children with important play benefits such as strength, stability and confidence in moving. On ground level, varied nets sway when children climb above, creating playful movement and a sense of unity in

players. The transparency of the Sensory Dome makes it a play unit for intense cooperation, consideration and communication across levels and activities.

Sensory Dome

CRP812001



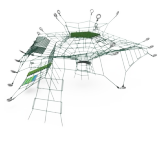
Drawing wall

Physical: the rollers stimulate the fine motor skills and when leaning on them provide sensory stimulation that soothes or invigorates depending on the intensity. **Social-Emotional:** the cooperation and turn-taking in making patterns supports social-emotional skills such as cooperation. **Creative:** the rollers' different colors make possible patterns and signal-making which inspires creativity.



Dichroic panels

Physical: hanging and leaning on the rope-suspended panels train muscles, balance and cross-coordination. **Social-Emotional:** twisting the panels to create colorful shadows encourage turn-taking and cooperation skills. **Cognitive:** wondering about, understanding and explaining the reasons for the color occurrence support logical thinking skills.



Sensory dome net

Physical: the connected nets make the climbers feel the movements of the others, adding a dimension of fun and demanding concentration when holding tight to the rope. Cross-coordination and all muscle groups are trained. **Social-Emotional:** the climbers' movements affect the other climbers. Room for breaks for many and support cooperation and turn-taking skills. The transparent design enables communication and orientation across the unit.



Hangout pod

Physical: sitting and lying enjoying the swaying movements stimulate the sense of balance. **Social-Emotional:** meeting, taking a break is invited. Turn-taking supports the skills necessary to learn how to avoid conflicts.



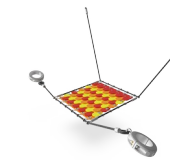
Moiré optic panels

Physical: sitting, hanging and leaning on the rope suspended panels train balance and cross-coordination. **Social-Emotional:** discussing the patterns and reasoning with others supports negotiating and listening skills, training tolerance and empathy. **Cognitive:** wondering about, understanding and explaining the reasons for the pattern occurrence support logical thinking skills.



Rollers

Physical: the rolling feel adds body pressure when lying and trains the balance when seated. This impacts physical stability. The children can feel the movement of their peers climbing and be part of the play. **Social-Emotional:** the body pressure of the rolls give a soothing, relaxing feel when lying. **Creative:** the rollers' two sidedness and colors makes it possible to change the patterns of the rollers, stimulating creativity.

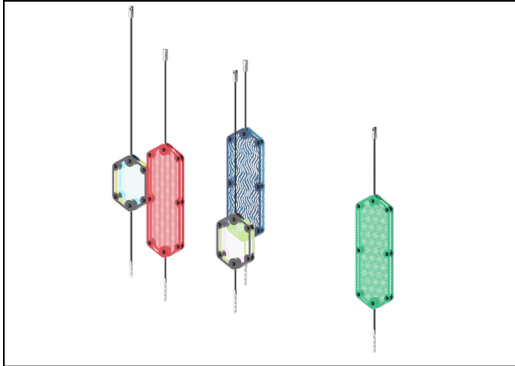


Dragon scale

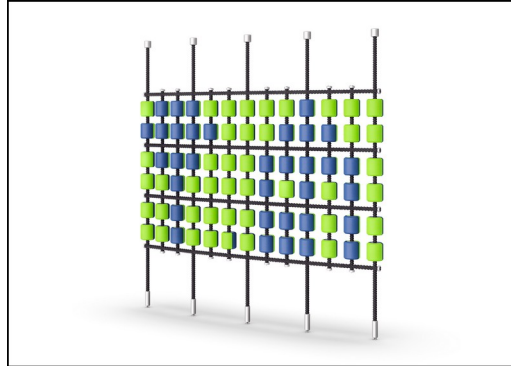
Physical: the rubber scales add a fun feel to the seat and stimulates the sense of touch. **Social-Emotional:** great point for a break or meeting with friends.

Sensory Dome

CRP812001



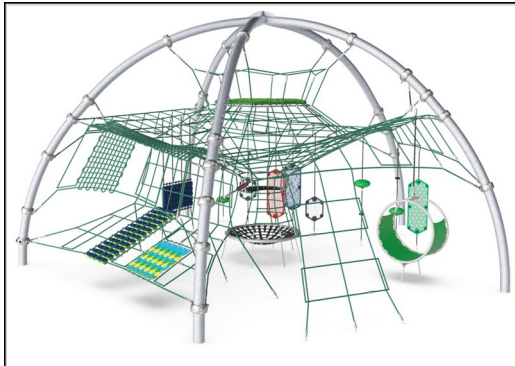
Turnable optic panels of two 7mm thick polycarbonate plates with a distance of 40mm. The inside graphic print consist of an inner image layer and outer transparent protection layer. Both PC panel and the water-based lacquer are UV stabilized to prevent fading of the print.



The drawing wall rollers are made of high quality UV stabilized and reinforced nylon (PA). The two colored turn able rollers are assembled to the rope with steel pins and small nylon taps ensures position on the rope.



Hangout pod designed with a welded frame of two steel rings which are hot dip galvanized and powder coated. The membrane consist of friction-proof rubberized material of conveyor belt quality with excellent UV resistance.



The stainless steel components are made of high quality stainless steel in compliance with global playground standards. The steel is glass blasted after manufacturing to ensure a smooth gliding surface.



Corocord 'S' clamps are used as universal connections in Corocord products. 8mm stainless steel rods with rounded edges are pressed around the ropes with a special hydraulic press, making them the ideal connector: safe, durable and vandalism-proof, all while allowing the typical movement of rope play structures.



Corocord smart clamps are carefully designed in every detail to ensure superior flexibility in high quality aluminum material. The smart clamps are attached around the posts with four steel bolts. Not used attachment points are closed with PA caps.

Item no. CRP812001-0404

Installation Information

Max. fall height	267 cm
Safety surfacing area	95.6 m ²
Total installation time	42.2
Excavation volume	4.11 m ³
Concrete volume	3.24 m ³
Footing depth (standard)	38 cm
Shipment weight	1,431 kg
Anchoring options	In-ground <input checked="" type="checkbox"/>

Warranty Information

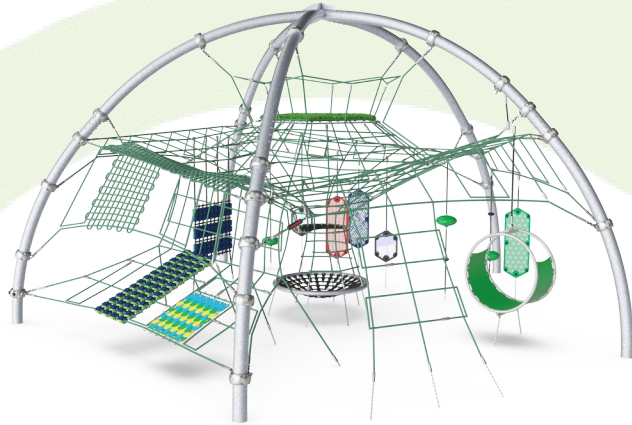
Corocord rope	10 years
Hollow PE parts	10 years
Hot dip galvanised steel	Lifetime
Membrane	2 years
Spare parts guaranteed	10 years

Elevated activities 0	Accessible elevated activities	Accessible ground level activities	Accessible ground level play types
Present	0	1	1
Required	0	1	1

**CSA
Z614**
compliant

Sustainability Data

CRP812001



Cradle to Gate A1-A3	Total CO ₂ emission	CO ₂ e/kg	Recycled materials
	kg CO ₂ e	kg CO ₂ e/kg	%
CRP812001-0404	4,615.44	4.03	43.26

The overall framework applied for these factors is the Environmental Product Declaration (EPD), which quantifies "environmental information on the life cycle of a product and enable comparisons between products fulfilling the same function" (ISO, 2006). This follows the structure and applies a Life-Cycle Assessment approach to the entire Product stage from raw material through manufacturing (A1-A3))

Kompan A/S
C.F. Tietgens Boulevard 32C
DK-5220 Odense SØ
Denmark



Verification of CO₂ calculation of: Corocord



Data version no. 2023-10-05

The CO₂ calculation and data are in compliance with the principles of a carbon footprint impact according to the GHG protocol (Greenhouse Gas Protocol), Scope 3, cradle to gate related to all individual components in the product category: "Corocord" represented by item no.: COR314011-1101.

(Scope 3 emissions include emission sources in the upstream and downstream value chain).

Date: 30. October 2023 | Valid until: 30. October 2025

Verified by:

Julie Marie Vejsgaard Larsen, LCA & EPD Consultant

Verification based on report: Validation of CO₂ calculation of 9 categories of Kompan product line, version 1.0, prepared by: Bureau Veritas HSE, Denmark: Julie M. V. Larsen.

Publication date: 30. October 2023

By Bureau Veritas HSE
www.bureauveritas.dk
+45 7731 1000

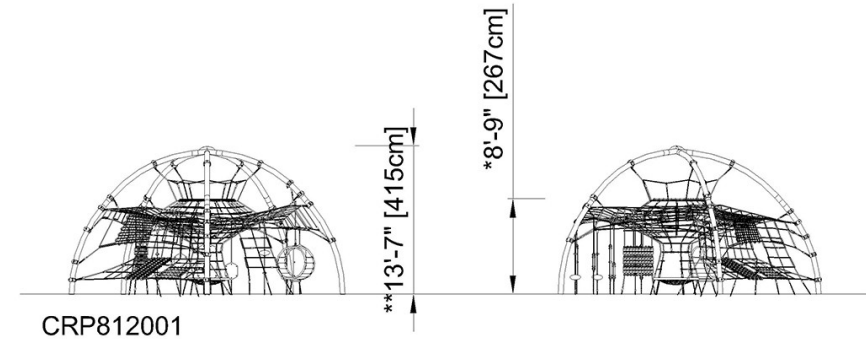
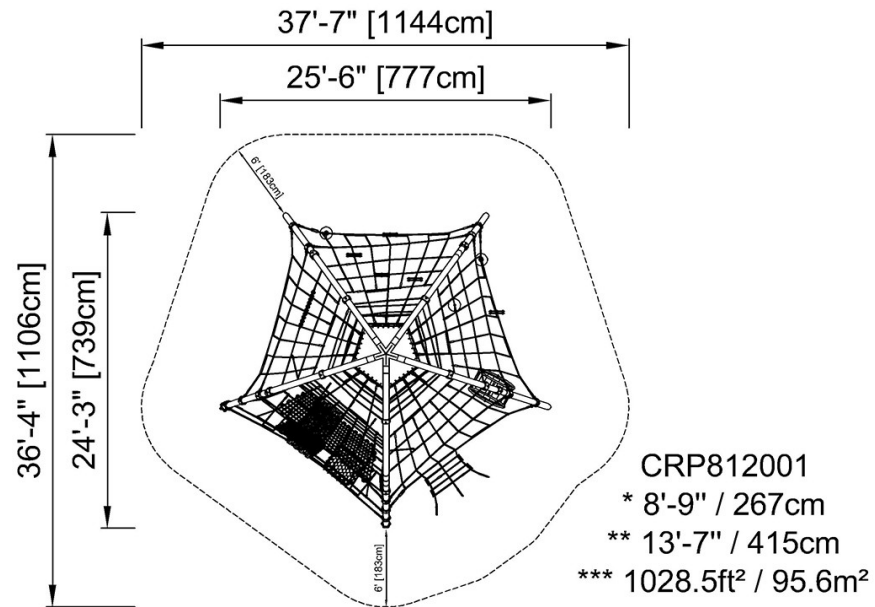


Sensory Dome

CRP812001

* Max fall height | ** Total height | *** Safety surfacing area

* Max fall height | ** Total height



[Click to see TOP VIEW](#)

[Click to see SIDE VIEW](#)