
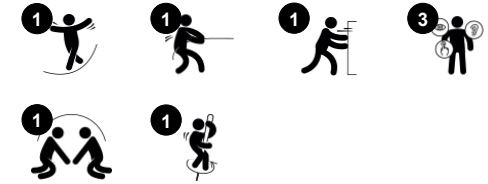


# Toddler Spica

M191



Item no.	
General Product Information	
Dimensions LxWxH	1'6"x1'6"x3'2"
Age group	6m - 4
Play capacity (users)	1
Color options	



The Toddler Spica with its cute floral theme appeals hugely to infants and toddlers. The response to movement of the Toddler Spica attracts children again and again. The rotation is a delightful and even thrilling play activity. Children can use the Spica while seated or standing. In both cases that trains the vestibular system, the senses of space and

balance. These are important to toddlers in particular, as they support the confidence in moving generally. Confidence in movement helps the child in other aspects of development, for instance in socialization: being able to keep up with the others. In concentration skills: being able to focus on other things than keeping your balance. With

room for more than one child, the Spica supports cooperative play and social play, that will help children to make friends.

# Toddler Spica

M191



## Seat

**Physical:** stepping up, jumping down develops muscle and motor skills. **Social-Emotional:** meeting, sharing and having a break.



## Pole

**Physical:** more gripping or leaning support points when standing, sitting, hanging holding tight and spinning.



## Internal ball-bearing spinner

**Cognitive:** logical thinking, figuring out how to make the spinner work with gravity, not against it.

# Toddler Spica

M191



Panels of 19mm EcoCore™. EcoCore™ is a highly durable, eco friendly material, which is not only recyclable after use, but also consists of a core produced from 100% recycled material.



The steel surfaces are hot-dip galvanized inside and outside with lead-free zinc. The galvanization has excellent corrosion resistance in outside environments and requires minimal maintenance.



The Toddler Spica bearings are installed in a one-piece design bearing house with integrated drain holes for water passage. The two large steel bearings are fully closed and lifetime lubricated.

Item no.	
Installation Information	
Max. fall height	2'0"
Safety surfacing area	143ft <sup>2</sup>
Total installation time	
Excavation volume	
Concrete volume	
Footing depth (standard)	
Shipment weight	
Anchoring options	In-ground ✓ Surface ✓
Warranty Information	
Bearing construction	5 Years
EcoCore HDPE	Lifetime
Hot dip galvanized steel	Lifetime
Spare Parts Availability	10 Years

Elevated activities 0	Accessible elevated activities	Accessible ground level activities	Accessible ground level play types
Present	0	1	1
Required	0	1	1



**ASTM  
F2373**  
compliant

# Sustainability Data

M191



Cradle to Gate A1-A3	Total CO <sub>2</sub> emission	CO <sub>2</sub> e/kg	Recycled materials
	kg CO <sub>2</sub> e	kg CO <sub>2</sub> e/kg	%

The overall framework applied for these factors is the Environmental Product Declaration (EPD), which quantifies "environmental information on the life cycle of a product and enable comparisons between products fulfilling the same function" (ISO, 2006). This follows the structure and applies a Life-Cycle Assessment approach to the entire Product stage from raw material through manufacturing (A1-A3))

**Kompan A/S**  
 C.F. Tietgens Boulevard 32C  
 DK-5220 Odense SØ  
 Denmark



## Verification of CO<sub>2</sub> calculation of: Themed play systems



Data version no. 2023-10-05

The CO<sub>2</sub> calculation and data are in compliance with the principles of a carbon footprint impact according to the GHG protocol (Greenhouse Gas Protocol), Scope 3, cradle to gate related to all individual components in the product category: "Themed play systems" represented by item no.: MSC641100-3717P.

(Scope 3 emissions include emission sources in the upstream and downstream value chain).

**Date: 30. October 2023 | Valid until: 30. October 2025**

**Verified by:**

Julie Marie Vejsgaard Larsen, LCA & EPD Consultant

Verification based on report: Validation of CO<sub>2</sub> calculation of 9 categories of Kompan product line, version 1.0, prepared by: Bureau Veritas HSE, Denmark: Julie M. V. Larsen.

**Publication date: 30. October 2023**

**By Bureau Veritas HSE**  
 www.bureauveritas.dk  
 +45 7731 1000

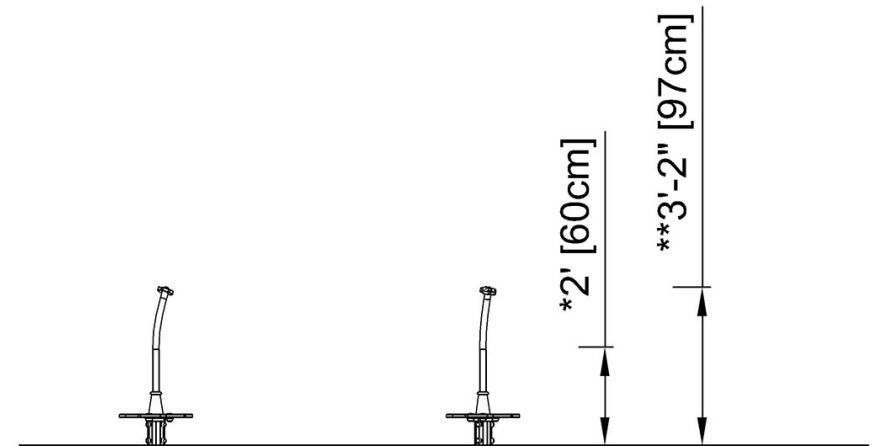
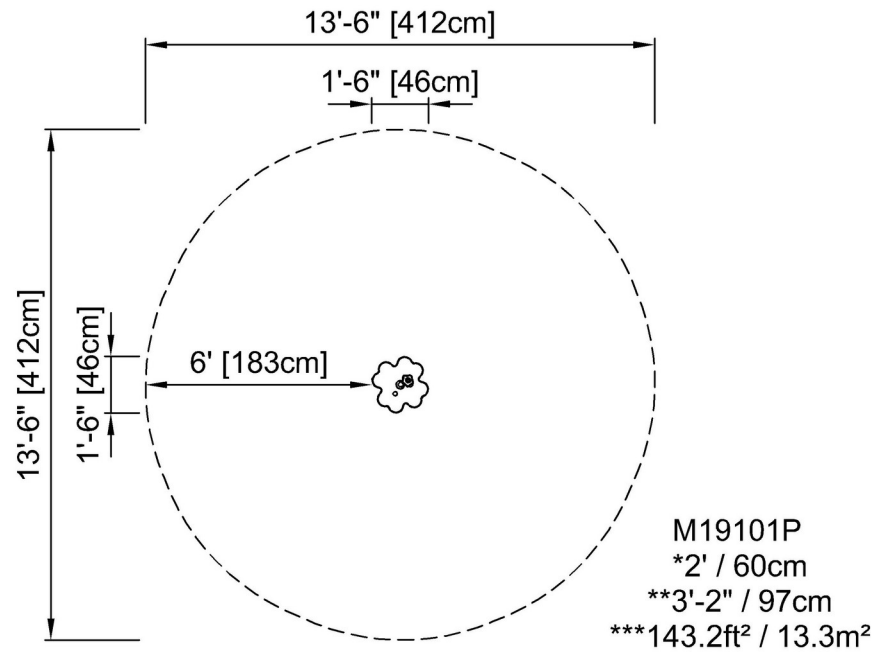


# Toddler Spica

M191

\* Max fall height | \*\* Total height | \*\*\* Safety surfacing area

\* Max fall height | \*\* Total height



[Click to see TOP VIEW](#)

[Click to see SIDE VIEW](#)