

Meeting Post

NRO805



Item no. NRO805-1001

General Product Information

Dimensions LxWxH	15x17x80 cm
Age group	1+
Play capacity (users)	1
Color options	 



This fine meeting post makes an assembly place or signage in the landscape. It can be used for different play purposes as well: A refuge in tag or other games. Or a place to go if you are better off alone: really angry, or in need of saying bad words, for instance.



Meeting Post

NRO805



All Organic Robinia products by KOMPAN are made of Robinia wood from sustainable European sources. On request it can be supplied as FSC® Certified (FSC® C004450).

Item no. NRO805-1001	
Installation Information	
Max. fall height	80 cm
Safety surfacing area	7.1 m ²
Total installation time	1.2
Excavation volume	0.07 m ³
Concrete volume	0.01 m ³
Footing depth (standard)	100 cm
Shipment weight	38 kg
Anchoring options	In-ground ✓ Surface ✓



Sustainability Data

NRO805



Cradle to Gate A1-A3	Total CO ₂ emission	CO ₂ e/kg	Recycled materials
	kg CO ₂ e	kg CO ₂ e/kg	%
NRO805-1001	3.80	0.13	0.10

The overall framework applied for these factors is the Environmental Product Declaration (EPD), which quantifies "environmental information on the life cycle of a product and enable comparisons between products fulfilling the same function" (ISO, 2006). This follows the structure and applies a Life-Cycle Assessment approach to the entire Product stage from raw material through manufacturing (A1-A3))

Kompan A/S
 C.F. Tietgens Boulevard 32C
 DK-5220 Odense SØ
 Denmark



Verification of CO₂ calculation of: Nature play



Data version no. 2023-10-05

The CO₂ calculation and data are in compliance with the principles of a carbon footprint impact according to the GHG protocol (Greenhouse Gas Protocol), Scope 3, cradle to gate related to all individual components in the product category: "Nature play" represented by item no.: NRO409-0621.

(Scope 3 emissions include emission sources in the upstream and downstream value chain).

Date: 30. October 2023 | Valid until: 30. October 2025

Verified by:

Julie Marie Vejsgaard Larsen, LCA & EPD Consultant

Verification based on report: Validation of CO₂ calculation of 9 categories of Kompan product line, version 1.0, prepared by: Bureau Veritas HSE, Denmark: Julie M. V. Larsen.

Publication date: 30. October 2023

By Bureau Veritas HSE
 www.bureauveritas.dk
 +45 7731 1000

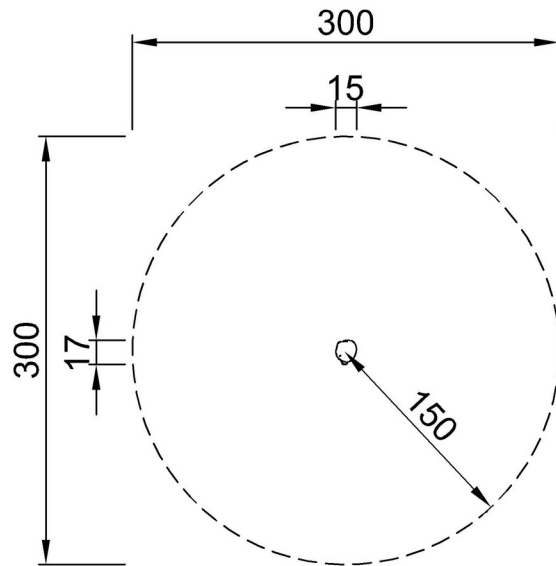


Meeting Post

NRO805

* Max fall height | ** Total height | *** Safety surfacing area

* Max fall height | ** Total height



NRO805

**80cm
***7.1m²



NRO805

[Click to see TOP VIEW](#)

[Click to see SIDE VIEW](#)