


Suspension Bridge

NRO870



Item no. NRO870-1001	
General Product Information	
Dimensions LxWxH	215x126x140 cm
Age group	2+
Play capacity (users)	2
Color options	



The Suspension Bridge attracts children to practise their balancing skills, running back and forth repeatedly. A main part of the attraction is the responsiveness of the bridge planks, for every step the child takes, important physical skills are trained to maintain balance, strengthen bone density and muscles in legs, feet, core and arms. For less trained bridge-

walkers, the side beams add support. Running or walking the Suspension Bridge is a social experience. Children feel the movements of the other children on the bridge. This feature adds to the physical challenge of keeping the balance when passing the Suspension Bridge. It additionally spurs cooperation, negotiation, turn-taking and consideration. These are

important social-emotional life skills when making friends through play.



Suspension Bridge

NRO870



All Organic Robinia products by KOMPAN are made of Robinia wood from sustainable European sources. On request it can be supplied as FSC® Certified (FSC® C004450).

The Robinia wood can be supplied as untreated raw wood or painted with a brown coloured transparent pigment that maintains the golden wood colour of the wood.

Item no. NRO870-1001

Installation Information

Max. fall height	30 cm
Safety surfacing area	19.4 m ²
Total installation time	6.0
Excavation volume	0.28 m ³
Concrete volume	0.05 m ³
Footing depth (standard)	100 cm
Shipment weight	288 kg
Anchoring options	In-ground ✓ Surface ✓



Sustainability Data

NRO870



Cradle to Gate A1-A3	Total CO ₂ emission	CO ₂ e/kg	Recycled materials
	kg CO ₂ e	kg CO ₂ e/kg	%
NRO870-1001	49.00	0.23	1.90

The overall framework applied for these factors is the Environmental Product Declaration (EPD), which quantifies "environmental information on the life cycle of a product and enable comparisons between products fulfilling the same function" (ISO, 2006). This follows the structure and applies a Life-Cycle Assessment approach to the entire Product stage from raw material through manufacturing (A1-A3))

Kompan A/S
C.F. Tietgens Boulevard 32C
DK-5220 Odense SØ
Denmark



Verification of CO₂ calculation of: Nature play



Data version no. 2023-10-05

The CO₂ calculation and data are in compliance with the principles of a carbon footprint impact according to the GHG protocol (Greenhouse Gas Protocol), Scope 3, cradle to gate related to all individual components in the product category: "Nature play" represented by item no.: NRO409-0621.

(Scope 3 emissions include emission sources in the upstream and downstream value chain).

Date: 30. October 2023 | Valid until: 30. October 2025

Verified by:

Julie Marie Vejsgaard Larsen, LCA & EPD Consultant

Verification based on report: Validation of CO₂ calculation of 9 categories of Kompan product line, version 1.0, prepared by: Bureau Veritas HSE, Denmark: Julie M. V. Larsen.

Publication date: 30. October 2023

By Bureau Veritas HSE
www.bureauveritas.dk
+45 7731 1000

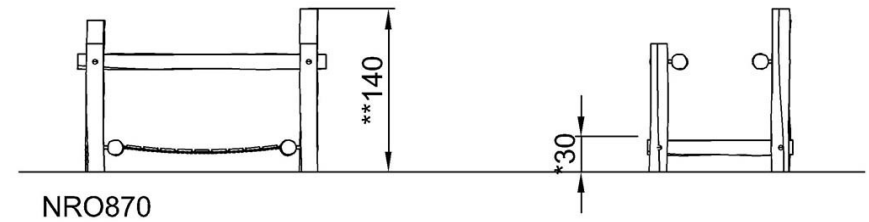
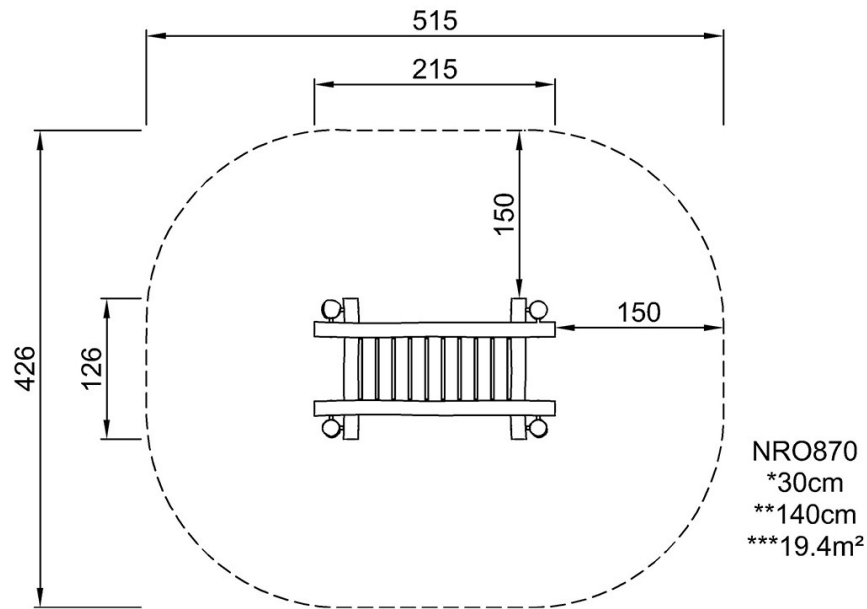


Suspension Bridge

NRO870

* Max fall height | ** Total height | *** Safety surfacing area

* Max fall height | ** Total height



[Click to see TOP VIEW](#)

[Click to see SIDE VIEW](#)