

Super Combi 1, Gesuperviseerd

FSW251

KOMPAN
Let's play



Item nummer FSW25100-0900	
Algemene Product Informatie	
Afmetingen LxBxH	533x550x325 cm
Leeftijdsgroep	13+
Speelcapaciteit	13
Kleuropties	



The Super Combi 1 Gated has the same options as the standard Super Combi 1 but also has a connector for battle rope, a connector for a boxing bag, and a station for barbell exercises. This item is intended for supervised or gated areas such as sports or fitness clubs, as these loose items do not satisfy safety standards for public

places.
Supervised products are only for areas that are gated or fenced-off, like fitness clubs with supervision or gated communities.



Super Combi 1, Gesuperviseerd

FSW251



De staanders zijn gemaakt van Ø101,6 x 2 mm, voorverzinkt koolstofstaal en voorzien van een poedercoating, een goede bescherming tegen alle omstandigheden.



Item nummer FSW25100-0900

Installatie informatie

Max. valhoogte	200 cm
Veiligheidszone	46,3 m ²
Totale installatietijd	11,5
Graafwerk (vol.)	0,83 m ³
Benodigd beton	0,50 m ³
Verankeringsdiepte	90 cm
Verzendingsgewicht	609 kg
Verankeringsopties	In-ground ✓ Oppervlak ✓

Garantie informatie

EcoCore HDPE	Levenslang
Gegalvaniseerd staal	Levenslang
PUR components	10 jaar
Gegarandeerde reserveonderdelen	10 jaar
Steel	10 jaar

Sustainability Data

FSW251



Cradle to Gate A1-A3	Total CO ₂ emission	CO ₂ e/kg	Recycled materials
	kg CO ₂ e	kg CO ₂ e/kg	%
FSW25100-0900	948,55	2,41	56,70

The overall framework applied for these factors is the Environmental Product Declaration (EPD), which quantifies "environmental information on the life cycle of a product and enable comparisons between products fulfilling the same function" (ISO, 2006). This follows the structure and applies a Life-Cycle Assessment approach to the entire Product stage from raw material through manufacturing (A1-A3))

Kompan A/S
C.F. Tietgens Boulevard 32C
DK-5220 Odense SØ
Denmark



Verification of CO₂ calculation of: Fitness



Data version no. 2023-10-05

The CO₂ calculation and data are in compliance with the principles of a carbon footprint impact according to the GHG protocol (Greenhouse Gas Protocol), Scope 3, cradle to gate related to all individual components in the product category: "Fitness" represented by item no.: FAZ10100-0900.

(Scope 3 emissions include emission sources in the upstream and downstream value chain).

Date: 30. October 2023 | Valid until: 30. October 2025

Verified by:

Julie Marie Vejsgaard Larsen, LCA & EPD Consultant

Verification based on report: Validation of CO₂ calculation of 9 categories of Kompan product line, version 1.0, prepared by: Bureau Veritas HSE, Denmark: Julie M. V. Larsen.

Publication date: 30. October 2023

By Bureau Veritas HSE
www.bureauveritas.dk
+45 7731 1000

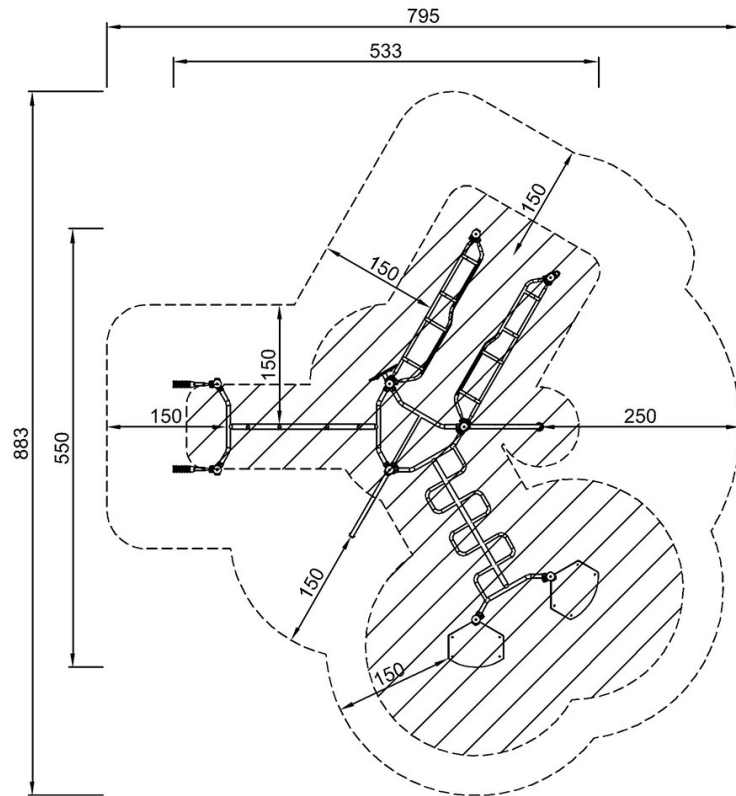


Super Combi 1, Gesuperviseerd

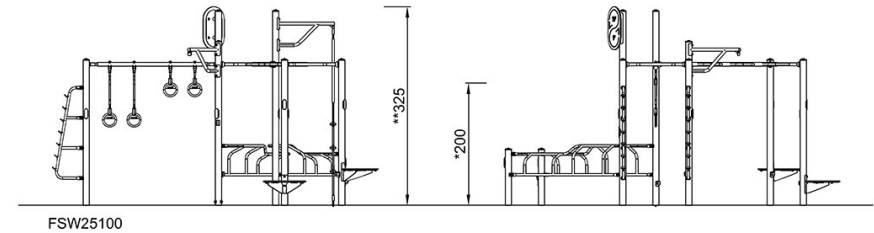
FSW251

Max. valhoogte | Totale Hoogte | Veiligheidszone

Max. valhoogte | Totale Hoogte



FSW25100
*200cm
**325cm
***46.3m²



[Bekijk BOVENAANZICHT](#)

[Bekijk ZIJAAANZICHT](#)