

Play Shell Climber

CRP201101



Item no. CRP201101-0901

General Product Information

Dimensions LxWxH	6'8"x4'9"x4'0"
Age group	2 - 5
Play capacity (users)	5
Color options	

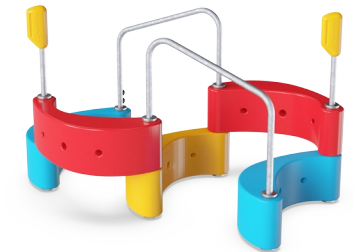


The rounded shapes and levels of the Play Shells invite great fun and varied play, such as climbing, crawling, and sitting at varied heights. The playful movement possibilities within a manageable space will excite children again and again.

The parallel play options, repeating

movements, and different routes work wonders for socializing skills. Apart from being fun, the Play Shells train motor skills such as cross-coordination, which is fundamental for reading skills. Moving the body over, under, higher, and lower builds an understanding of space, shapes, and measurements, which are fundamental for being comfortable with

mathematics.



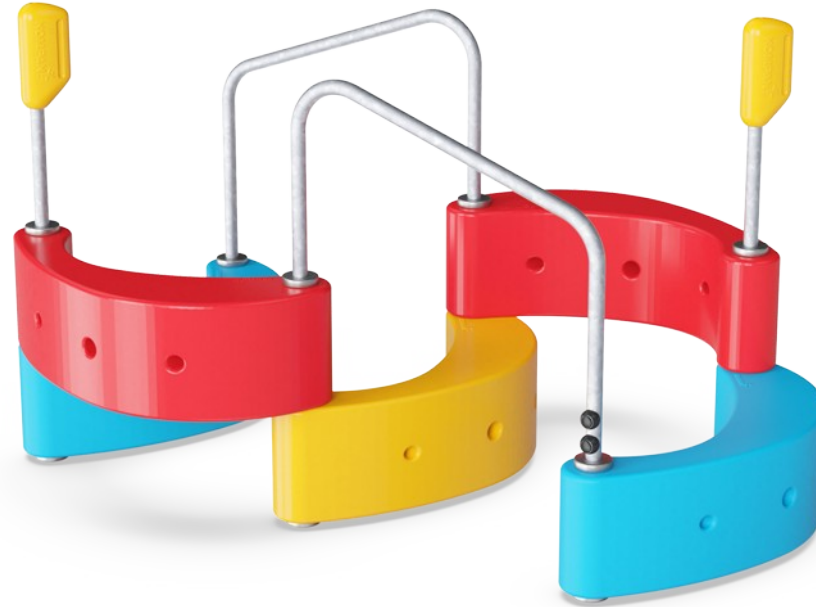
Play Shell Climber

CRP201101



Play shell climber stack

Physical: balancing on the play shells and walking from one to another across the tubes trains cross-coordination and the sense of balance, which benefits body and posture control. **Social-Emotional:** meeting and communicating in smaller or larger groups, a possible place to retract from demanding physical play.



Play Shell Climber

CRP201101



The significant components are made of 100% recyclable PE made from 33% post-consumer materials. They are molded in one piece with a minimum 5mm wall thickness to ensure high durability in all climates worldwide.



The steel surfaces are hot-dip galvanized inside and outside with lead-free zinc. The galvanization has excellent corrosion resistance in outside environments and requires minimal maintenance.



The themed post comprises 100% recyclable PE from 33% post-consumer materials. It is molded in one piece with a minimum of 4 mm wall thickness to ensure high durability in all climates worldwide.

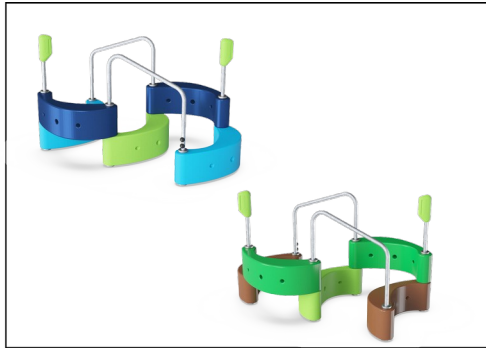
Item no. CRP201101-0901

Installation Information

Max. fall height	2'0"
Safety surfacing area	250ft ²
Total installation time	2.7
Excavation volume	0.64yd ³
Concrete volume	0yd ³
Footing depth (standard)	2'11"
Shipment weight	210lbs
Anchoring options	In-ground ✓

Warranty Information

Hollow PE Parts	10 Years
Hot dip galvanized steel	Lifetime
Spare Parts Availability	10 Years



The product is designed in three different standard color combinations: Red and light blue, Light blue and lime green, Green and lime green. The layouts of the play structures can be customized through the KOMPAN Variant Team.



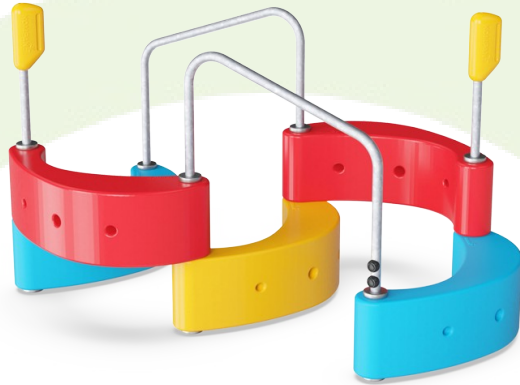
The Shell Climber can be enjoyed on its own or fully integrated with the Corocord Monkey Trails Mini.

Elevated activities 0	Accessible elevated activities	Accessible ground level activities	Accessible ground level play types
Present	0	1	1
Required	0	1	1

**ASTM
F1487**
compliant

Sustainability Data

CRP201101



Cradle to Gate A1-A3	Total CO ₂ emission	CO ₂ e/kg	Recycled materials
	kg CO ₂ e	kg CO ₂ e/kg	%
CRP201101-0901	194.02	2.60	41.40

The overall framework applied for these factors is the Environmental Product Declaration (EPD), which quantifies "environmental information on the life cycle of a product and enable comparisons between products fulfilling the same function" (ISO, 2006). This follows the structure and applies a Life-Cycle Assessment approach to the entire Product stage from raw material through manufacturing (A1-A3))

Kompan A/S
C.F. Tietgens Boulevard 32C
DK-5220 Odense SØ
Denmark



Verification of CO₂ calculation of: Corocord



Data version no. 2023-10-05

The CO₂ calculation and data are in compliance with the principles of a carbon footprint impact according to the GHG protocol (Greenhouse Gas Protocol), Scope 3, cradle to gate related to all individual components in the product category: "Corocord" represented by item no.: COR314011-1101.

(Scope 3 emissions include emission sources in the upstream and downstream value chain).

Date: 30. October 2023 | Valid until: 30. October 2025

Verified by:

Julie Marie Vejsgaard Larsen, LCA & EPD Consultant

Verification based on report: Validation of CO₂ calculation of 9 categories of Kompan product line, version 1.0, prepared by: Bureau Veritas HSE, Denmark: Julie M. V. Larsen.

Publication date: 30. October 2023

By Bureau Veritas HSE
www.bureauveritas.dk
+45 7731 1000

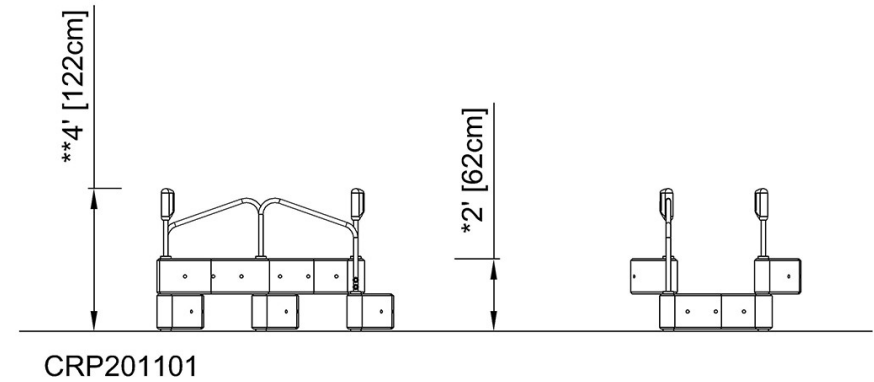
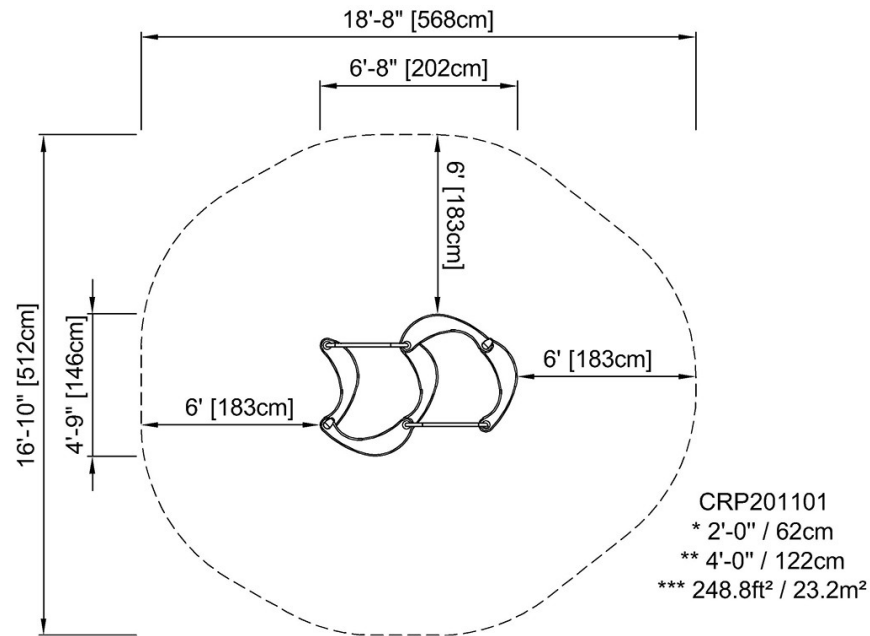


Play Shell Climber

CRP201101

* Max fall height | ** Total height | *** Safety surfacing area

* Max fall height | ** Total height



[Click to see TOP VIEW](#)

[Click to see SIDE VIEW](#)