

# Long Nose Truck

NRO562

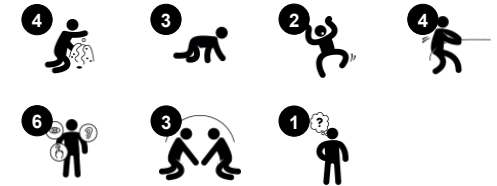
**KOMPAN**  
Let's play



Item no. NRO562-1021

## General Product Information

Dimensions LxWxH	16'8"x6'7"x8'7"
Age group	2 - 5
Play capacity (users)	10
Color options	



The Long Nose Truck appeals hugely to children and invites for hours of dramatic play, again and again. The varied climb and crawl activities in the truck's sides and front ensures physical activity that trains cross-body coordination. This builds body confidence and stimulates the cross-modal perception which supports e.g. reading skills. The gear shift and

steering wheel add to the imagined driving. Dramatic play is the favorite play type for younger children. Apart from building an understanding of the world, dramatic play trains language, communication and social-emotional skills intensely and builds the fundament of learning and making friends for life.

# Long Nose Truck

NRO562



## Theme

**Cognitive:** suggests a theme and supports dramatic play, which stimulates language and communication skills.



## Window

**Social-Emotional:** invites interaction between sides and cooperative play.



## Funnel

**Social-Emotional:** trains cooperation and turn-taking as children put materials into the funnel. **Cognitive:** the passing of materials through funnels supports the children's logical thinking and for younger children the understanding of object permanence: that materials don't vanish but run through at the other end.



## Supportive handholds

**Physical:** handhold provides good grip for less confident climbers. Pulling yourself up and in trains upper body muscles.



## Gear shift

**Social-Emotional:** cooperation, turn-taking, sharing. **Cognitive:** suggests a theme and supports dramatic play, which stimulates language skills.

# Long Nose Truck

NRO562



All Organic Robinia products by KOMPAN are made of Robinia wood from sustainable European sources. On request it can be supplied as FSC® Certified (FSC® C004450).



The paint used for colored components is water based environmental friendly with excellent UV resistance. The paint is in compliance with EN 71 Part 3.



The Robinia products are designed with a KOMPAN color concept with a number of different standard colors. The wood can also be supplied as untreated or with brown painted with a pigment that maintains the wood color.

Item no. NRO562-1021	
Installation Information	
Max. fall height	1'11"
Safety surfacing area	457ft <sup>2</sup>
Total installation time	33.2
Excavation volume	1.84yd <sup>3</sup>
Concrete volume	0.07yd <sup>3</sup>
Footing depth (standard)	3'3"
Shipment weight	3058lbs
Anchoring options	Surface <input checked="" type="checkbox"/> In-ground <input checked="" type="checkbox"/>
Warranty Information	
EcoCore HDPE	Lifetime
Hot dip galvanized steel	Lifetime
Robinia Wood	10 Years
Spare Parts Availability	10 Years
Stainless steel components	Lifetime



There are Multiple footing options for all products: Surface anchoring with steel footings and expansion bolts. Wood in-ground or steel in-ground footings.



Panels of 19mm EcoCore™. EcoCore™ is a highly durable, eco friendly material, which is not only recyclable after use, but also consists of a core produced from 100% recycled material.



The Robinia wood can be supplied as untreated raw wood, painted with a brown colored transparent pigment that maintains the golden wood color or in a colored version where selected components are painted in different colors.

Elevated activities 1	Accessible elevated activities	Accessible ground level activities	Accessible ground level play types
Present	1	0	0
Required	1	0	0

**ASTM F1487**  
compliant

# Sustainability Data

NRO562



Cradle to Gate A1-A3	Total CO <sub>2</sub> emission	CO <sub>2</sub> e/kg	Recycled materials
	kg CO <sub>2</sub> e	kg CO <sub>2</sub> e/kg	%
<b>NRO562-1021</b>	334.28	0.29	7.46

The overall framework applied for these factors is the Environmental Product Declaration (EPD), which quantifies "environmental information on the life cycle of a product and enable comparisons between products fulfilling the same function" (ISO, 2006). This follows the structure and applies a Life-Cycle Assessment approach to the entire Product stage from raw material through manufacturing (A1-A3))

**Kompan A/S**  
 C.F. Tietgens Boulevard 32C  
 DK-5220 Odense SØ  
 Denmark



## Verification of CO<sub>2</sub> calculation of: Nature play



Data version no. 2023-10-05

The CO<sub>2</sub> calculation and data are in compliance with the principles of a carbon footprint impact according to the GHG protocol (Greenhouse Gas Protocol), Scope 3, cradle to gate related to all individual components in the product category: "Nature play" represented by item no.: NRO409-0621.

(Scope 3 emissions include emission sources in the upstream and downstream value chain).

**Date: 30. October 2023 | Valid until: 30. October 2025**

**Verified by:**

Julie Marie Vejsgaard Larsen, LCA & EPD Consultant

Verification based on report: Validation of CO<sub>2</sub> calculation of 9 categories of Kompan product line, version 1.0, prepared by: Bureau Veritas HSE, Denmark: Julie M. V. Larsen.

**Publication date: 30. October 2023**

**By Bureau Veritas HSE**  
 www.bureauveritas.dk  
 +45 7731 1000

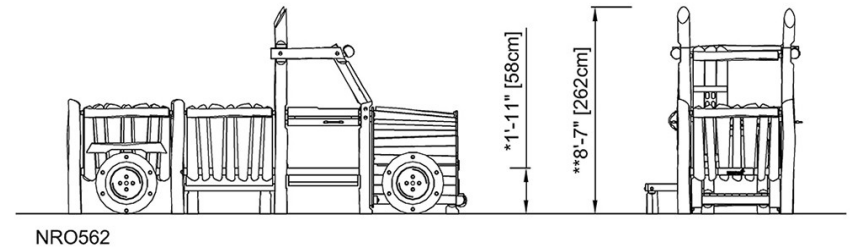
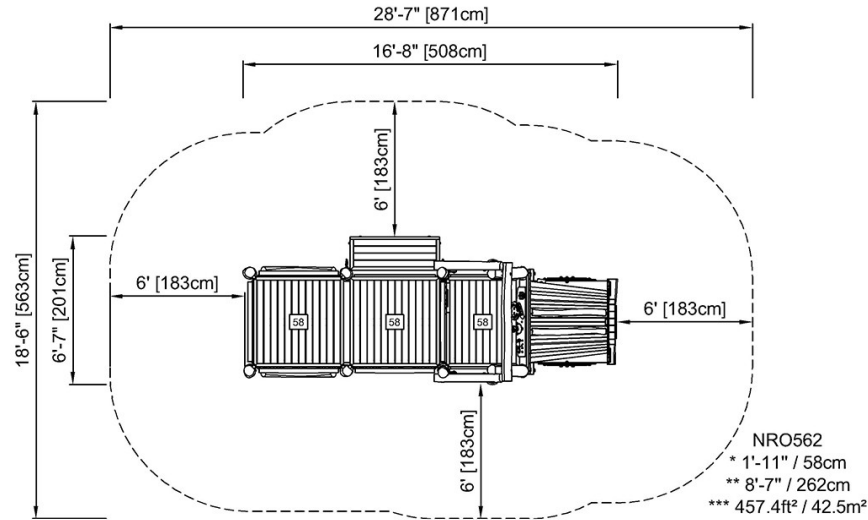


# Long Nose Truck

NRO562

\* Max fall height | \*\* Total height | \*\*\* Safety surfacing area

\* Max fall height | \*\* Total height



[Click to see TOP VIEW](#)

[Click to see SIDE VIEW](#)