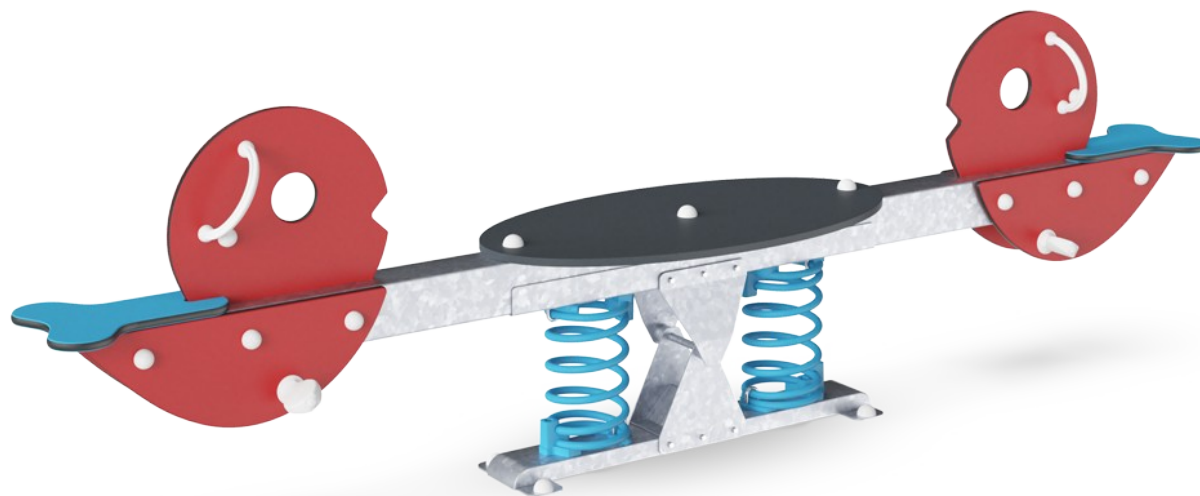


Albatross

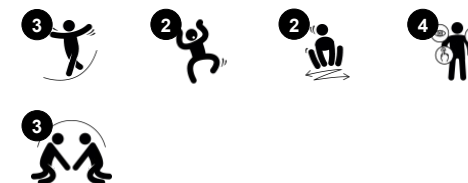
M143



Item no. M14374-01P

General Product Information

Dimensions LxWxH	55x310x92 cm
Age group	3+
Play capacity (users)	4
Colour options	



This new edition to our classic range of KOMPAN seesaws has a good large suspension; one child can quite safely sit alone, or several children can comfortably seesaw together. The platform in the middle allows more children to join in the game.



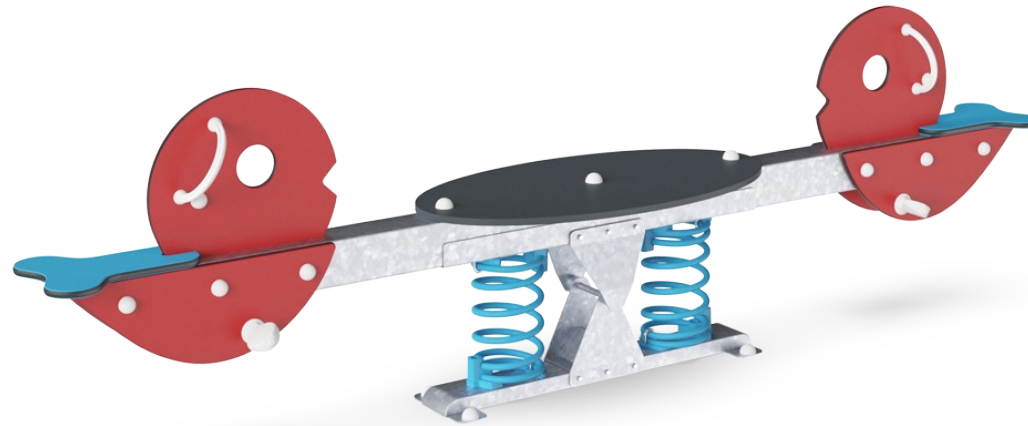
Albatross

M143



Handhold

Physical: the vertical handgrips ensure a firm grip at different heights, necessary for rocking intensely. This trains hand and arm muscles.



Center platform

Physical: supports agility, balance and coordination when standing, using leg and core muscles, building bone density when jumping. Also facilitating sitting. **Social-Emotional:** teamwork and socializing when rocking together.



Rocking together

Social-Emotional: the possibility of rocking two together trains cooperation skills. Consideration of others when rocking.



Rocking spring

Physical: response to movements adds to spatial awareness and sense of balance. These are fundamental motor skills that help the child's ability to sit still on a chair which takes a good sense of balance. **Cognitive:** trains the understanding of cause and effect: when I move my body, the spring responds with movement.

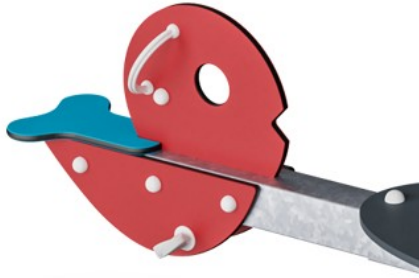


Foot support

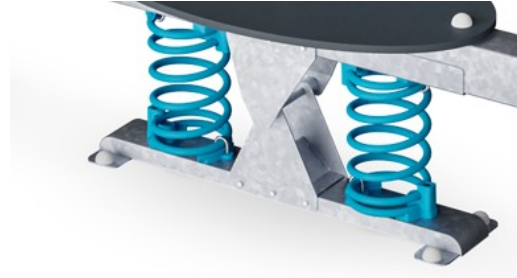
Physical: a good footrest supports intensive rocking. Rocking stimulates the senses of balance and space that are fundamental in managing the world securely. To rock intensely also supports coordination and muscle strength.

Albatross

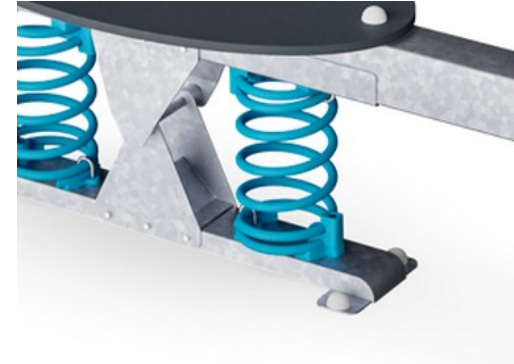
M143



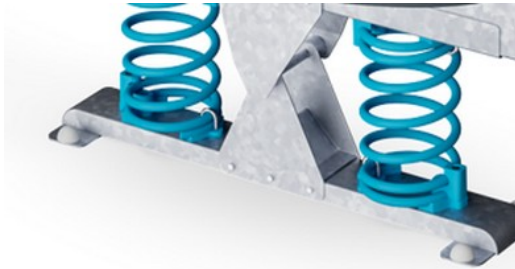
Panels of 19mm EcoCore™. EcoCore™ is a highly durable, eco friendly material, which is not only recyclable after use, but also consists of material produced from +95% recycled post consumer material from food packing waste.



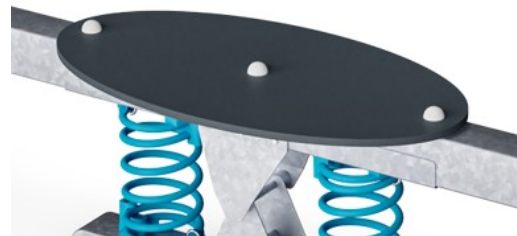
KOMPAN Springs are made of high quality spring steel according to EN10270. The springs are cleaned by phosphating before they are painted with an epoxy primer and a polyester powder coating as top finish. The springs are fixed by unique anti pinch fittings for maximum safety and long lifetime.



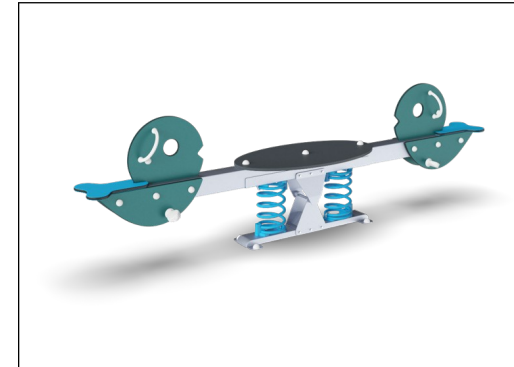
The springs are fixed by unique anti pinch fittings for maximum safety and long lifetime.



The steel support posts are hot dip galvanised inside and outside with lead free zinc. The galvanisation has excellent corrosion resistance in outside environments and requires low maintenance.



Platform and seats are made of HPL with a thickness of 17,8mm with a very high wearing strength and a unique KOMPAN nonskid surface texture.



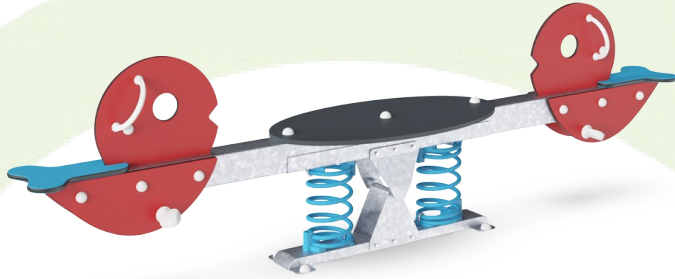
KOMPAN GreenLine versions are designed with ultimate environmentally friendly materials with lowest possible CO2e emission factor such as EcoCore™ panels of +95% post consumer recycled ocean waste.

Item no. M14374-01P	
Installation Information	
Max. fall height	100 cm
Safety surfacing area	13.7 m ²
Total installation time	4.4
Excavation volume	0.42 m ³
Concrete volume	0.00 m ³
Footing depth (standard)	42 cm
Shipment weight	132 kg
Anchoring options	In-ground ✓ Surface ✓
Warranty Information	
EcoCore HDPE	Lifetime
Hot dip galvanised steel	Lifetime
HPL platform	15 years
Spare parts guaranteed	10 years
Springs	5 years



Sustainability Data

M143



Cradle to Gate A1-A3	Total CO ₂ emission	CO ₂ e/kg	Recycled materials
	kg CO ₂ e	kg CO ₂ e/kg	%
M14374-01P	271.60	2.14	47.06

The overall framework applied for these factors is the Environmental Product Declaration (EPD), which quantifies "environmental information on the life cycle of a product and enable comparisons between products fulfilling the same function" (ISO, 2006). This follows the structure and applies a Life-Cycle Assessment approach to the entire Product stage from raw material through manufacturing (A1-A3))

Kompan A/S
 C.F. Tietgens Boulevard 32C
 DK-5220 Odense SØ
 Denmark



Verification of CO₂ calculation of: Freestanding play equipment



Data version no. 2023-10-05

The CO₂ calculation and data are in compliance with the principles of a carbon footprint impact according to the GHG protocol (Greenhouse Gas Protocol), Scope 3, cradle to gate related to all individual components in the product category: "Freestanding play equipment" represented by item no.: GXY916012-3417.

(Scope 3 emissions include emission sources in the upstream and downstream value chain).

Date: 30. October 2023 | Valid until: 30. October 2025

Verified by:

Julie Marie Vejsgaard Larsen, LCA & EPD Consultant

Verification based on report: Validation of CO₂ calculation of 9 categories of Kompan product line, version 1.0, prepared by: Bureau Veritas HSE, Denmark: Julie M. V. Larsen.

Publication date: 30. October 2023

By Bureau Veritas HSE
 www.bureauveritas.dk
 +45 7731 1000

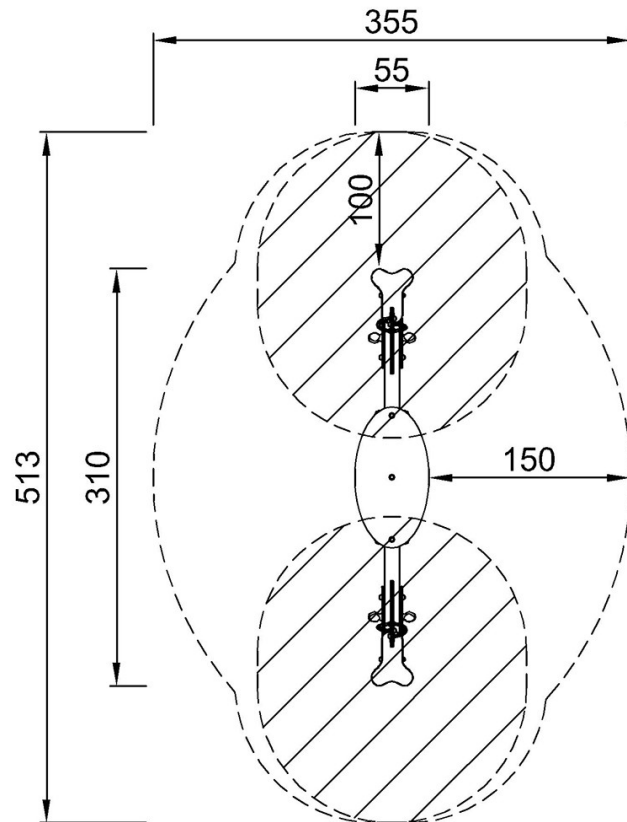


Albatross

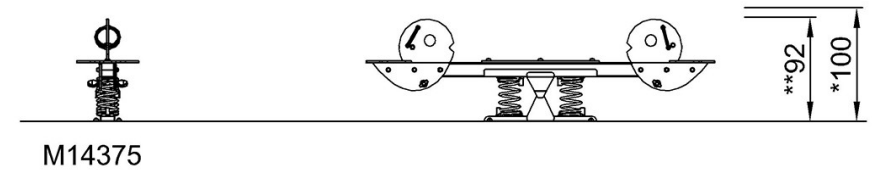
M143

* Max fall height | ** Total height | *** Safety surfacing area

* Max fall height | ** Total height



M14375
*100cm
**92cm
***13.7m²



[Click to see TOP VIEW](#)

[Click to see SIDE VIEW](#)