
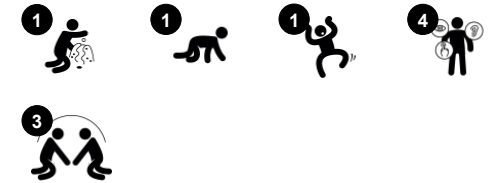


Labyrinth, 2 Rooms

M63272



Item no. M63272-3213P	
General Product Information	
Dimensions LxWxH	187x116x137 cm
Age group	6m+
Play capacity (users)	6
Color options	



This toddler-sized labyrinth will provide hours of fun for young children. This carefully designed structure offers play opportunities in all areas: physical, social-emotional, cognitive, and creative. Children will enjoy moving their bodies in and out as well as around and around the the structure. This is welcomed by the thoughtfully placed rubber knee-protectors

placed in the crawl-through openings. These support important physical as well as spatial skills. The 360 design also supports social interactions through window and door spaces as well as through peek-a-boo holes. The cooperation going on here supports the development of social-emotional skills. An open ended sensory element such as the

megaphone stimulates the under-standing of cause and effect, stimulating cognitive development.



Labyrinth, 2 Rooms

M63272



Theme

Cognitive: suggests a theme and supports dramatic play, which stimulates language and communication skills.



Desk

Social-Emotional: fine meeting place and a space creator. Sharing and cooperation from both sides create a social scenario that supports communication and cooperation.



Bench

Social-Emotional: gathering, cooperating or taking a break from play - all train social skills.



Megaphone

Social-Emotional: inspires communication and turn-taking skills. **Cognitive:** distortion of sound evokes curiosity and stimulates an understanding of cause and effect.



Crawl-through hole

Physical: the hole allows for climbing and crawling through, developing cross coordination, proprioception and spatial awareness. **Social-Emotional:** cooperation and turn-taking when passing one another. **Cognitive:** understanding space, shape and measures when seeing if the body can fit through the hole.

Labyrinth, 2 Rooms

M63272



Panels of 19mm EcoCore™. EcoCore™ is a highly durable, eco friendly material, which is not only recyclable after use, but also consists of material produced from +95% recycled post consumer material from food packing waste.



Bench and floors are made of HPL with a thickness of 17,8mm with a very high wearing strength and a unique KOMPAN nonskid surface texture.



Play activities like the Megaphone are made of injection moulded high quality nylon (PA6). PA6 has good wearing and impact strength and is UV stabilised.



Edge protection is made of PUR. It retains its properties in the temperature range of -30°C to 60°C. Material is UV stabilised.

Item no. M63272-3213P	
Installation Information	
Max. fall height	27 cm
Safety surfacing area	17.4 m ²
Total installation time	6.8
Excavation volume	0.04 m ³
Concrete volume	0.00 m ³
Footing depth (standard)	40 cm
Shipment weight	187 kg
Anchoring options	In-ground ✓ Surface ✓



Sustainability Data

M63272



Cradle to Gate A1-A3	Total CO ₂ emission	CO ₂ e/kg	Recycled materials
	kg CO ₂ e	kg CO ₂ e/kg	%
M63272-3213P	173.46	1.30	72.06

The overall framework applied for these factors is the Environmental Product Declaration (EPD), which quantifies "environmental information on the life cycle of a product and enable comparisons between products fulfilling the same function" (ISO, 2006). This follows the structure and applies a Life-Cycle Assessment approach to the entire Product stage from raw material through manufacturing (A1-A3))

Kompan A/S
 C.F. Tietgens Boulevard 32C
 DK-5220 Odense SØ
 Denmark



Verification of CO₂ calculation of: Themed play systems



Data version no. 2023-10-05

The CO₂ calculation and data are in compliance with the principles of a carbon footprint impact according to the GHG protocol (Greenhouse Gas Protocol), Scope 3, cradle to gate related to all individual components in the product category: "Themed play systems" represented by item no.: MSC641100-3717P.

(Scope 3 emissions include emission sources in the upstream and downstream value chain).

Date: 30. October 2023 | Valid until: 30. October 2025

Verified by:

Julie Marie Vejsgaard Larsen, LCA & EPD Consultant

Verification based on report: Validation of CO₂ calculation of 9 categories of Kompan product line, version 1.0, prepared by: Bureau Veritas HSE, Denmark: Julie M. V. Larsen.

Publication date: 30. October 2023

By Bureau Veritas HSE
 www.bureauveritas.dk
 +45 7731 1000

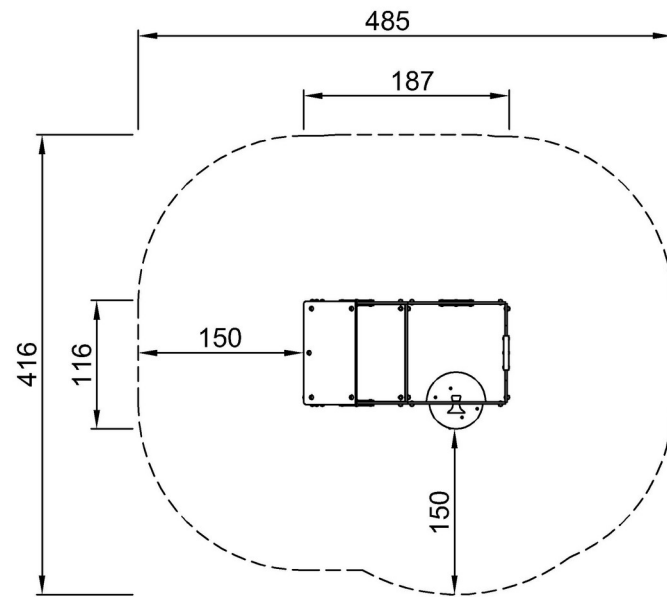


Labyrinth, 2 Rooms

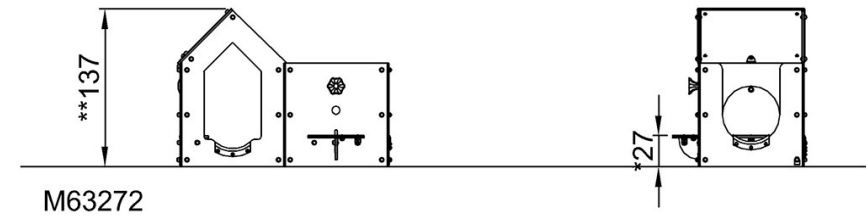
M63272

* Max fall height | ** Total height | *** Safety surfacing area

* Max fall height | ** Total height



M63272-xx13P
*27cm
**137cm
***17.4m²



[Click to see TOP VIEW](#)

[Click to see SIDE VIEW](#)