

Swing H:2.0m, Std. Seats

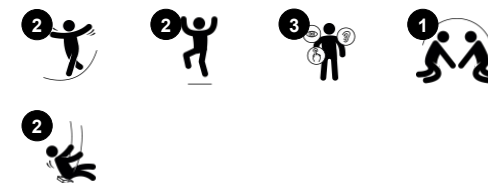
KSW90010



Item no. KSW90010-0909

General Product Information

Dimensions LxWxH	330x200x224 cm
Age group	2+
Play capacity (users)	2
Colour options	 



Of all the play activities, swinging is a favourite: children love it, as it can be done individually and together. This swing set supports the play joy of doing the same thing at the same time, featuring two similar swing seats. The seats are shaped with a slight curve in the middle to facilitate the secure seat position of a wide age span. A great place to play, for all ages, for

hours and days. Swinging apart from being great fun, trains the children's ABC: agility, balance and coordination as well as their spatial awareness. These motor skills are crucial to being able to judge distances and navigate traffic safely. Swings allow for standing sitting, laying – and not least jumping off! Apart from the motor skills training, this

trains the arm, leg and core muscles. The jumping off builds bone density – the majority of which is built up during the first years of life.



Swing H:2.0m, Std. Seats

KSW90010



Two single swing seats

Physical: balance, coordination and spatial awareness are trained when swinging. All necessary when judging distances and managing traffic safely. **Social-Emotional:** parallel play invites cooperation and consideration. **Cognitive:** 'Cause and effect' understanding, managing rhythm and thinking skills for younger children when swinging. Rules games for bigger children.

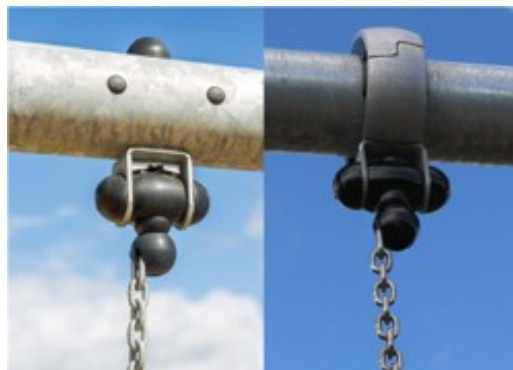


Swing H:2.0m, Std. Seats

KSW90010



The A-Frame is designed with hot-dip galvanised ø100mm crossbar with large steel end plates for durability, and posts are available in the two different options: Hot-dip galvanised ø70mm steel or Impregnated pine wood with hot-dip galvanised steel footings.



The swing hangers are made of high-quality UV-stabilised nylon (PA6) housing with integrated lifetime sealed ball bearings. The adjustable chains are fixed by a stainless steel hook with a theft-proof snake-eye bolt which is manufactured within an anti-twist house. All seats are fixed with two chains and are available with either standard or anti-wrap suspension.



The post of the A-Frame swings is available in two mounting options; surface mounted with anchoring expansion bolts or inground in 60cm or 90cm depth. The hot-dip galvanised steel legs are anchored directly into the ground and Pinewood posts are elevated from the ground by a unique profiled hot-dip galvanised steel footing.



The standard seats of KOMPAN swings are engineered for maximum safety and durability. The seat two component seat with a PP inner core and outside rubber is produced in one operation. The seats are available with swing chains of either hot-dip galvanised steel or stainless steel for all swings heights.



KOMPAN has a range of uniquely designed seats for toddlers which includes; A rubber baby seat, a toddler PUR seat with four chain suspension for easy movement and cradle seat. Additional you can select the You & Me swing seat which is suitable for adult and child which allows two users to swing together while facing each other.

Item no. KSW90010-0909

Installation Information

Max. fall height	120 cm
Safety surfacing area	20.8 m ²
Total installation time	4.2
Excavation volume	1.38 m ³
Concrete volume	0.00 m ³
Footing depth (standard)	90 cm
Shipment weight	123 kg
Anchoring options	In-ground ✓

Warranty Information

Chains	10 years
Galvanised Steel	Lifetime
Spare Parts Guarantee	10 years
Swing Hangers	5 years
Swing Seat	10 years



Sustainability Data

KSW90010



Cradle to Gate A1-A3	Total CO ₂ emission	CO ₂ e/kg	Recycled materials
	kg CO ₂ e	kg CO ₂ e/kg	%
KSW90010-0909	341.98	2.84	47.41

The overall framework applied for these factors is the Environmental Product Declaration (EPD), which quantifies "environmental information on the life cycle of a product and enable comparisons between products fulfilling the same function" (ISO, 2006). This follows the structure and applies a Life-Cycle Assessment approach to the entire Product stage from raw material through manufacturing (A1-A3))

Kompan A/S
 C.F. Tietgens Boulevard 32C
 DK-5220 Odense SØ
 Denmark



Verification of CO₂ calculation of: Freestanding play equipment



Data version no. 2023-10-05

The CO₂ calculation and data are in compliance with the principles of a carbon footprint impact according to the GHG protocol (Greenhouse Gas Protocol), Scope 3, cradle to gate related to all individual components in the product category: "Freestanding play equipment" represented by item no.: KSW92011-0910.

(Scope 3 emissions include emission sources in the upstream and downstream value chain).

Date: 30. October 2023 | Valid until: 30. October 2025

Verified by:

Julie Marie Vejsgaard Larsen, LCA & EPD Consultant

Verification based on report: Validation of CO₂ calculation of 9 categories of Kompan product line, version 1.0, prepared by: Bureau Veritas HSE, Denmark: Julie M. V. Larsen.

Publication date: 30. October 2023

By Bureau Veritas HSE
 www.bureauveritas.dk
 +45 7731 1000

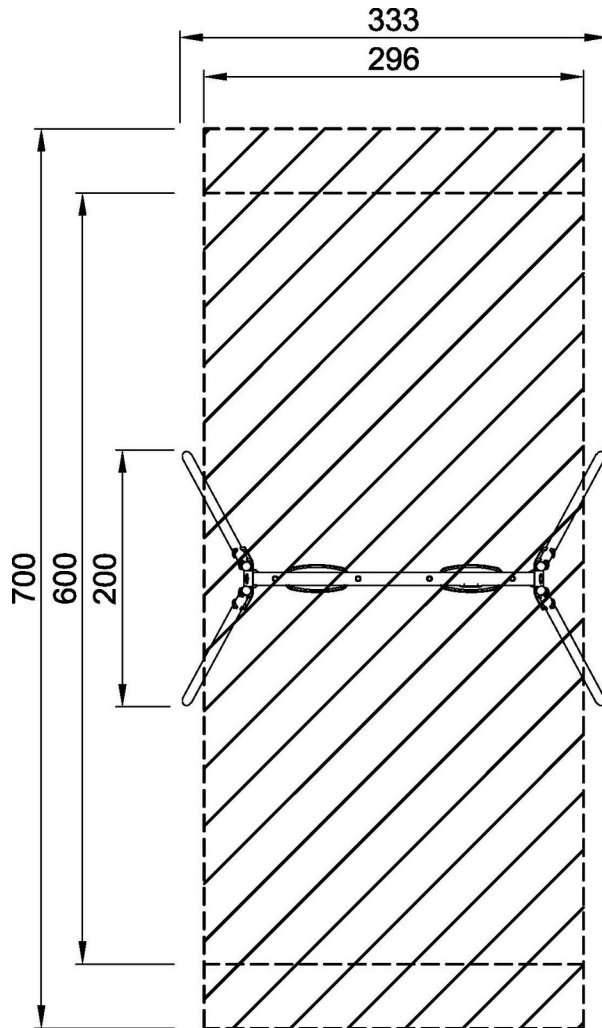


Swing H:2.0m, Std. Seats

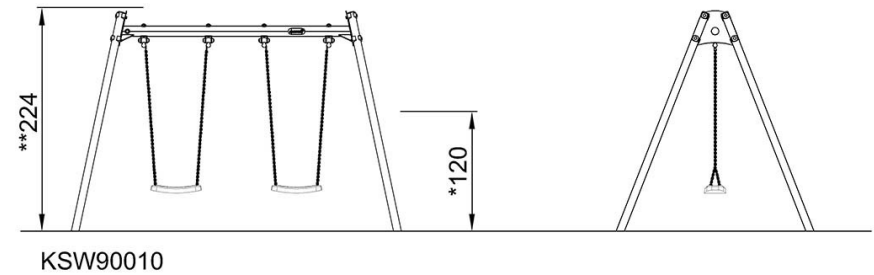
KSW90010

* Max fall height | ** Total height | *** Safety surfacing area

* Max fall height | ** Total height



KSW90010
*120cm
**224cm
***20.8m²



[Click to see TOP VIEW](#)

[Click to see SIDE VIEW](#)