

# Toddlers Castle

MSC5417



Item no. MSC541701-3417P	
General Product Information	
Dimensions LxWxH	277x205x149 cm
Age group	1+
Play capacity (users)	8
Color options	



Wow! The toddler's castle will immediately attract the youngest children to move their bodies and experience the thrill of crawling or walking up and sliding down. There is thrill built in every step along the way, and stories to be imagined in and around this special structure. This supports longer playtimes that enhance over-all development for children. Walking up

the stairs helps young children to cross-coordinate, which is crucial e.g. for later reading skills. Sliding down is thrill-ing fun and it builds core muscles and a sense of space and balance. These are fundamental motor skills that support the toddler's physical mastery. The richness of sound, touch and socialize-elements invites a play journey: on

the platform a flower window distorts the voice, a learning experience. A table with play ring invites breaks, adding to the socializing.



# Toddlers Castle

MSC5417



Panels of 19mm EcoCore™. EcoCore™ is a highly durable, eco friendly material, which is not only recyclable after use, but also consists of material produced from +95% recycled post consumer material from food packing waste.



The steel surfaces are hot dip galvanised inside and outside with lead free zinc. The galvanisation has excellent corrosion resistance in outside environments and requires low maintenance.

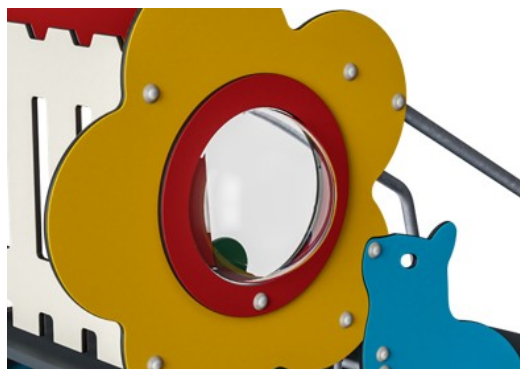


Platform and seats are made of HPL with a thickness of 17,8mm with a very high wearing strength and a unique KOMPAN nonskid surface texture.

Item no. MSC541701-3417P

## Installation Information

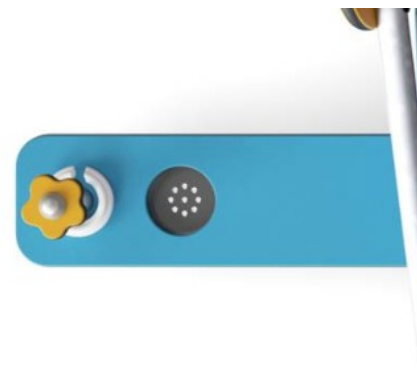
Max. fall height	100 cm
Safety surfacing area	19.7 m <sup>2</sup>
Total installation time	8.9
Excavation volume	0.30 m <sup>3</sup>
Concrete volume	0.00 m <sup>3</sup>
Footing depth (standard)	60 cm
Shipment weight	198 kg
Anchoring options	In-ground ✓ Surface ✓



On the side of the wall there is a transparent bubble made from UV-stabilised PC.



The slide bed can be chosen in different materials: Straight moulded PE or stainless steel slide bed t=2mm. Sides of the slides are made of EcoCore™.



Sand strainer is made of high-quality stainless steel to ensure durability of the product.



# Sustainability Data

MSC5417



Cradle to Gate A1-A3	Total CO <sub>2</sub> emission	CO <sub>2</sub> e/kg	Recycled materials
	kg CO <sub>2</sub> e	kg CO <sub>2</sub> e/kg	%
<b>MSC541701-3417P</b>	282.70	1.96	54.20

The overall framework applied for these factors is the Environmental Product Declaration (EPD), which quantifies "environmental information on the life cycle of a product and enable comparisons between products fulfilling the same function" (ISO, 2006). This follows the structure and applies a Life-Cycle Assessment approach to the entire Product stage from raw material through manufacturing (A1-A3))

**Kompan A/S**  
 C.F. Tietgens Boulevard 32C  
 DK-5220 Odense SØ  
 Denmark



## Verification of CO<sub>2</sub> calculation of: Themed play systems



Data version no. 2023-10-05

The CO<sub>2</sub> calculation and data are in compliance with the principles of a carbon footprint impact according to the GHG protocol (Greenhouse Gas Protocol), Scope 3, cradle to gate related to all individual components in the product category: "Themed play systems" represented by item no.: MSC641100-3717P.

(Scope 3 emissions include emission sources in the upstream and downstream value chain).

**Date: 30. October 2023 | Valid until: 30. October 2025**

Verified by:

Julie Marie Vejsgaard Larsen, LCA & EPD Consultant

Verification based on report: Validation of CO<sub>2</sub> calculation of 9 categories of Kompan product line, version 1.0, prepared by: Bureau Veritas HSE, Denmark: Julie M. V. Larsen.

**Publication date: 30. October 2023**

By Bureau Veritas HSE  
 www.bureauveritas.dk  
 +45 7731 1000

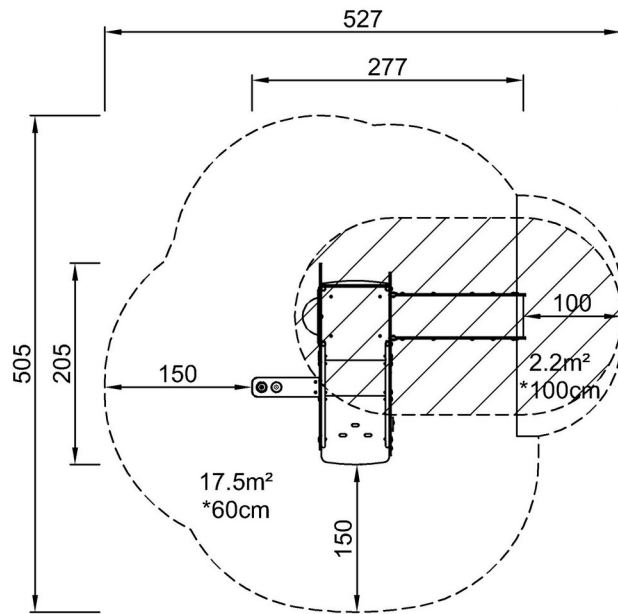


# Toddlers Castle

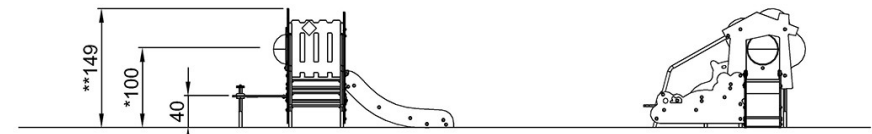
MSC5417

\* Max fall height | \*\* Total height | \*\*\* Safety surfacing area

\* Max fall height | \*\* Total height



MSC541701P  
\*100cm  
\*\*149cm  
\*\*\*19.7m²



MSC541701P

[Click to see TOP VIEW](#)

[Click to see SIDE VIEW](#)