

Double Overhead Ladder Robinia

FRO213



Item no. FRO21300-1001	
General Product Information	
Dimensions LxWxH	451x126x261 cm
Age group	13+
Play capacity (users)	4
Color options	



See KOMPAN Fit app for more



The overhead ladder, also known as the monkey bar, may be the most well-known of all obstacle course elements. The goal is to get to the other side without using your feet. Training upper body strength and cross-body coordination. This overhead ladder is wide and high to ensure anyone can hang and move freely. To make sure that everyone can reach

the overhead ladder there are 4 stepping pods at different heights. As a stand-alone item, the Double Overhead Ladder is great to work in the group workout. It offers space for 8 people to perform pull-up exercises or to attach suspension trainers for a full-body workout. The Robinia bars are made from de-barked and sap-free Robinia trunks in various

dimensions. Robinia is a native European wood species with high strength and natural durability in various climatic conditions. KOMPAN uses wood from FSC-certified sources.

Double Overhead Ladder Robinia

FRO213



All Organic Robinia products by KOMPAN are made of Robinia wood from sustainable European sources. On request it can be supplied as FSC® Certified (FSC® C004450).



The Robinia wood can be supplied as untreated raw wood or painted with a brown coloured transparent pigment that maintains the golden wood colour of the wood.



All KOMPAN fitness products are compliant with the ASTM F3101 & EN16630 Outdoor Fitness Standards. Load tests are performed as a static test by adding dynamic factors as well as safety factors to the specified load of 78kg per user. A product intended for 1 user is loaded with 420kg.

Item no. FRO21300-1001

Installation Information

Max. fall height	133 cm
Safety surfacing area	28.3 m ²
Total installation time	7.8
Excavation volume	1.18 m ³
Concrete volume	0.35 m ³
Footing depth (standard)	100 cm
Shipment weight	547 kg
Anchoring options	



Sustainability Data

FRO213



Cradle to Gate A1-A3	Total CO ₂ emission	CO ₂ e/kg	Recycled materials
	kg CO ₂ e	kg CO ₂ e/kg	%
FRO21300-1001	195.80	0.49	7.50

The overall framework applied for these factors is the Environmental Product Declaration (EPD), which quantifies "environmental information on the life cycle of a product and enable comparisons between products fulfilling the same function" (ISO, 2006). This follows the structure and applies a Life-Cycle Assessment approach to the entire Product stage from raw material through manufacturing (A1-A3))

Kompan A/S
 C.F. Tietgens Boulevard 32C
 DK-5220 Odense SØ
 Denmark



Verification of CO₂ calculation of: Fitness



Data version no. 2023-10-05

The CO₂ calculation and data are in compliance with the principles of a carbon footprint impact according to the GHG protocol (Greenhouse Gas Protocol), Scope 3, cradle to gate related to all individual components in the product category: "Fitness" represented by item no.: FAZ10100-0900.

(Scope 3 emissions include emission sources in the upstream and downstream value chain).

Date: 30. October 2023 | Valid until: 30. October 2025

Verified by:

Julie Marie Vejsgaard Larsen, LCA & EPD Consultant

Verification based on report: Validation of CO₂ calculation of 9 categories of Kompan product line, version 1.0, prepared by: Bureau Veritas HSE, Denmark: Julie M. V. Larsen.

Publication date: 30. October 2023

By Bureau Veritas HSE
 www.bureauveritas.dk
 +45 7731 1000

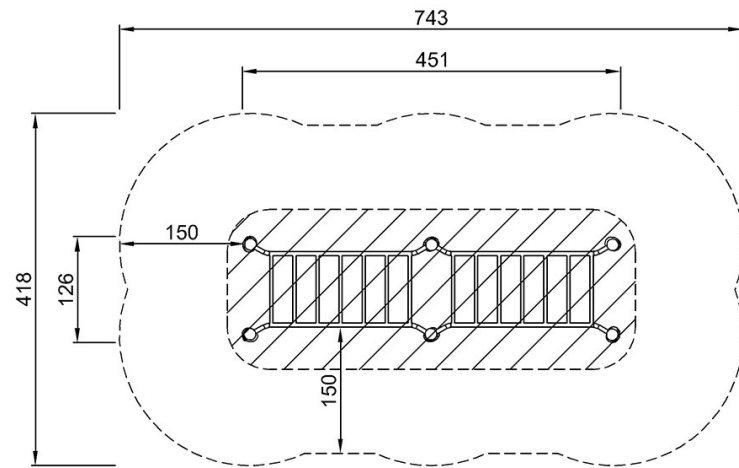


Double Overhead Ladder Robinia

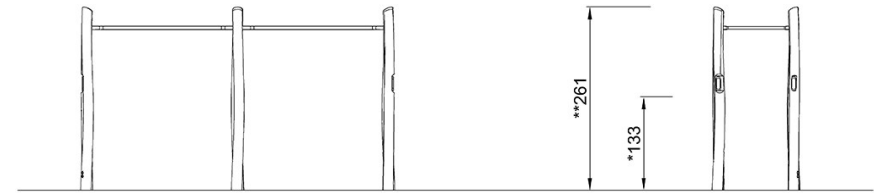
FRO213

* Max fall height | ** Total height | *** Safety surfacing area

* Max fall height | ** Total height



FRO21300
*133cm
**261cm
***28.3m²



FRO21300

[Click to see TOP VIEW](#)

[Click to see SIDE VIEW](#)