

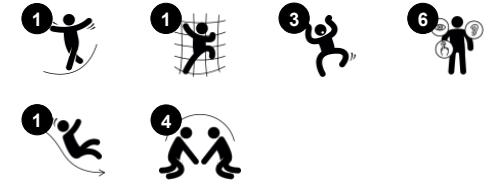
Castle Spire Tower

PCM102821

KOMPAN
Let's play



Item no. PCM102821-0901	
General Product Information	
Dimensions LxWxH	166x304x410 cm
Age group	2+
Play capacity (users)	11
Colour options	●



A lot of play in little space: The Castle Spire Tower will inspire young children to play actively and imaginatively, using their muscles to climb to the top and slide to the ground. The climber access provides an age-appropriate challenge to strengthen muscles and help develop cross-coordination skills. This enhances children's abilities to use both sides

of their brain and supports the internal structures that enable reading and thinking. On the platform, a balcony invites a view of the playground, adding a feeling of thrilling height. Sliding is immensely thrilling and supports posture and balance - important skills for young children as they grow. They are fundamental for all other physical skills and builds up

confidence to navigate the world securely. The design inspires dramatic play with castle and treasure themes. The treasure box under deck is a popular place to store things, stimulating young children to understand object permanence: the idea that things can exist even if they are out of sight.

Castle Spire Tower

PCM102821



Theme

Cognitive: suggests a theme and supports dramatic play, which stimulates language and communication skills.



Cannon

Cognitive: the cannon set a tangible theme and thus spur dramatic play. Dramatic play supports language and communication skills.



Treasure box

Cognitive: object permanence: hiding objects and finding them again. Spurs exploration and dramatic play, stimulating conversations.



Desk

Social-Emotional: fine meeting place and a space creator. Sharing and cooperation from both sides to create a social scenario that supports communication and cooperation.



Slide

Physical: develops spatial awareness, sense of balance and trains core muscles when sitting upright going down. **Social-Emotional:** empathy stimulated by turn-taking. **Cognitive:** young children develop their understanding of space, speed and distances when sliding down.



Rock climber

Physical: supports cross coordination and leg, arm and hand strength. **Social-Emotional:** the inclination makes climbing feel secure, especially for younger children.

Castle Spire Tower

PCM102821



Panels of 19mm EcoCore™. EcoCore™ is a highly durable, eco-friendly material, which is not only recyclable after use but also consists of a core produced from 100% recycled material.



Main posts with hot-dip galvanised steel footing are available in different materials including; pressure impregnated pinewood posts, pre-galvanised posts that are powder-coated or a lead-free aluminium option with an anodised colour top finish.



All decks are supported by unique designed low-carbon aluminum profiles with multiple attachment options. The grey colored molded decks are made of 75% post-consumer waste PP material with a non-skid pattern and texture surface.

Item no. PCM102821-0901

Installation Information

Max. fall height	118 cm
Safety surfacing area	20.6 m ²
Total installation time	12.0
Excavation volume	0.89 m ³
Concrete volume	0.38 m ³
Footing depth (standard)	90 cm
Shipment weight	340 kg
Anchoring options	In-ground ✓ Surface ✓

Warranty Information

EcoCore HDPE	Lifetime
Post	10 years
PP Decks	10 years
Spare Parts Guarantee	10 years



The slides can be chosen in different materials and colours. Options include straight, or curved moulded PE slides in yellow or grey colour or a full stainless steel option which is a more vandalism proof solutions.



KOMPAN Play Systems can be customised to meet individual client needs and site considerations. Visit the products www.KOMPAN.com.au to view our panels, decks, post, slides, and other play activities options which are all durable solutions for any outdoor environment.



Sustainability Data

PCM102821



Cradle to Gate A1-A3	Total CO ₂ emission	CO ₂ e/kg	Recycled materials
	kg CO ₂ e	kg CO ₂ e/kg	%
PCM102821-0901	456.90	1.88	63.62

The overall framework applied for these factors is the Environmental Product Declaration (EPD), which quantifies "environmental information on the life cycle of a product and enable comparisons between products fulfilling the same function" (ISO, 2006). This follows the structure and applies a Life-Cycle Assessment approach to the entire Product stage from raw material through manufacturing (A1-A3))

Kompan A/S
C.F. Tietgens Boulevard 32C
DK-5220 Odense SØ
Denmark



Verification of CO₂ calculation of: Themed play systems



Data version no. 2023-10-05

The CO₂ calculation and data are in compliance with the principles of a carbon footprint impact according to the GHG protocol (Greenhouse Gas Protocol), Scope 3, cradle to gate related to all individual components in the product category: "Themed play systems" represented by item no.: MSC641100-3717P.

(Scope 3 emissions include emission sources in the upstream and downstream value chain).

Date: 30. October 2023 | Valid until: 30. October 2025

Verified by:

Julie Marie Vejsgaard Larsen, LCA & EPD Consultant

Verification based on report: Validation of CO₂ calculation of 9 categories of Kompan product line, version 1.0, prepared by: Bureau Veritas HSE, Denmark: Julie M. V. Larsen.

Publication date: 30. October 2023

By Bureau Veritas HSE
www.bureauveritas.dk
+45 7731 1000

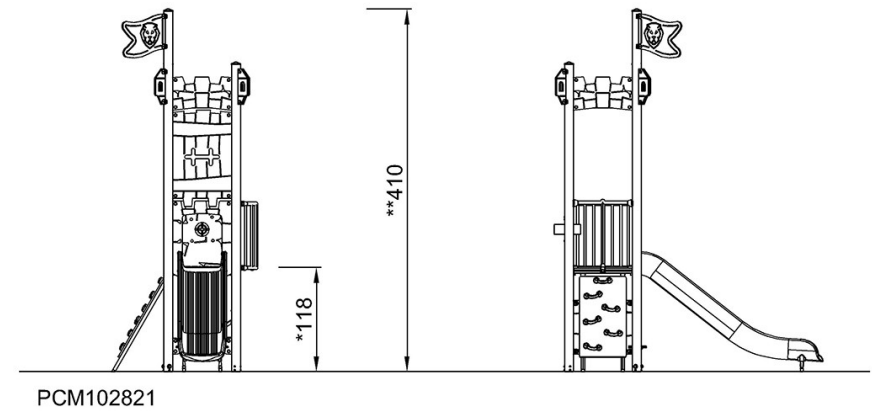
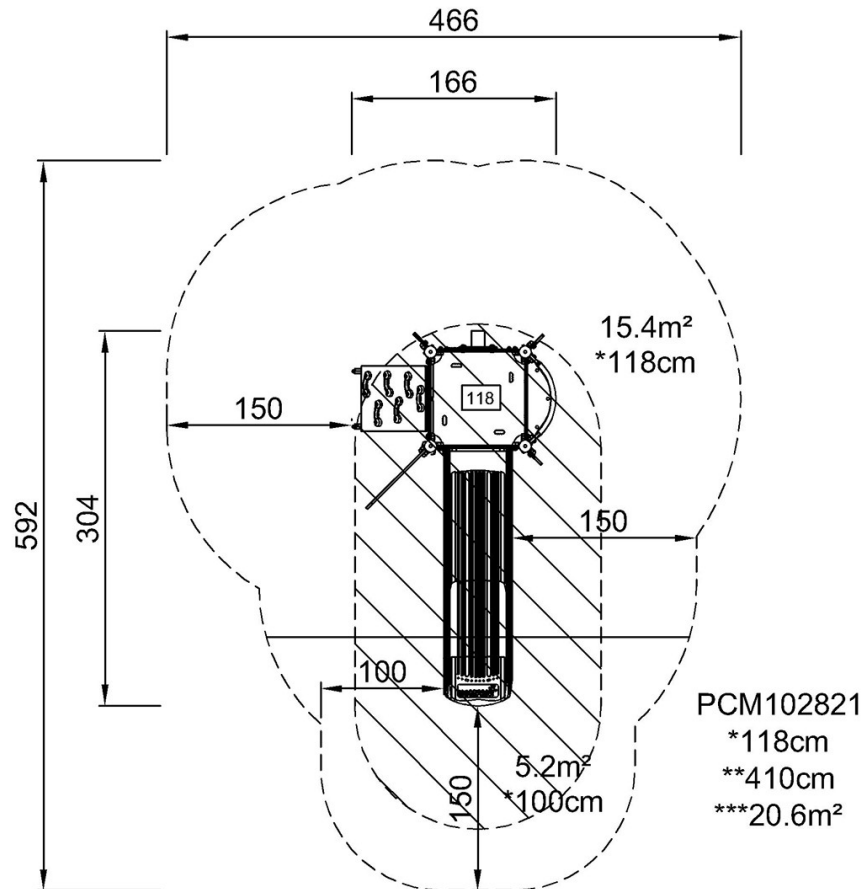


Castle Spire Tower

PCM102821

* Max fall height | ** Total height | *** Safety surfacing area

* Max fall height | ** Total height



[Click to see TOP VIEW](#)

[Click to see SIDE VIEW](#)