

Multi Timer Robinia

FRO222



Item no. FRO222-1001	
General Product Information	
Dimensions LxWxH	44x29x179 cm
Age group	13+
Play capacity (users)	4
Color options	



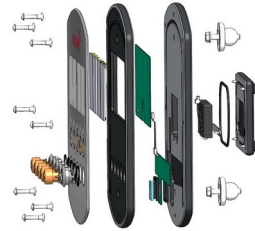
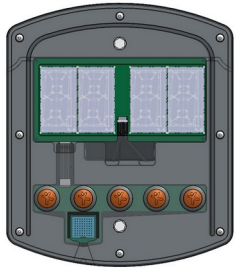
When exercising it is valuable to have a reliable way to keep track of time. Time-tracking adds structure and measurability to workouts, which is highly motivating, but also facilitates continuous improvement in the workout hence ultimately reaching goals. A Multi Timer is easy to see while working out and it gives an auditory and visual signal that clearly indicates

when to start and stop activities. There are 5 timer functions 1. Stopwatch 2. Tabata Timer (20/10 sec) 3 Interval Timer (30/10 sec) 4. HIIT (40/20 sec) 5. EMOM (60 sec)



Multi Timer Robinia

FRO222

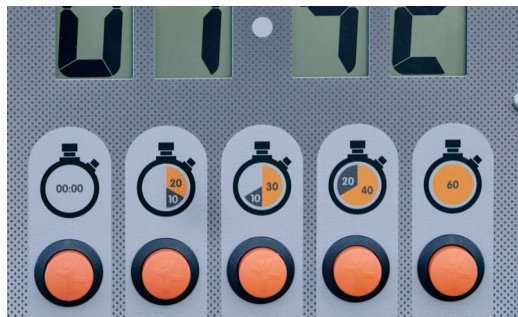


The reflective LCD display has four digits of 100mm height, with excellent outdoor visibility and a wide viewing angle. An LCD display has a low energy consumption, It is powered by 8 replaceable AA batteries with a lifespan of more than 2 years.

Front panels are made of UV-stabilized Polycarbonate. The UV-stabilization prevents the Transparent panels in being yellow over time and ensures the mechanical performances. The graphic prints are added by a unique multi-layer print process where the inner layer is the image and outer transparent layer functions as protection. The lacquer is water-based, and UV stabilized to prevent fading.

The push buttons and the housing for the push buttons are made from Polyamide (PA6). The buttons contain a magnet which activates a contactless reed switch when the buttons are pushed. This ensures high durability of the system.

Item no. FRO222-1001	
Installation Information	
Max. fall height	0 cm
Safety surfacing area	0.0 m ²
Total installation time	1.5
Excavation volume	0.03 m ³
Concrete volume	0.01 m ³
Footing depth (standard)	100 cm
Shipment weight	80 kg
Anchoring options	In-ground ✓ Surface ✓



There are 5 timer functions
1. Stopwatch
2. Tabata Timer (20/10 sec)
3. Interval Timer (30/10 sec)
4. HIIT (40/20 sec)
5. EMOM (60 sec)

Robinia Posts are made from de-barked and sap free Robinia trunks in various dimensions. Robinia is a native European wood specie with high strength and natural durability in various climatic conditions. The low degree of fabrication allows for a very natural look leaving posts bend and winding in some degree.

The loudspeaker is a piezoelectric speaker with a sound level of 90dB, and low power consumption. As power source we use eight standard AA 1,5V replaceable batteries with a capacity of 2.95Ah. The expected lifetime of the batteries is two years, depending on usage. It is recommended to inspect the batteries yearly. The batteries are placed in two sealed battery boxes with a protection class of IP65.



Sustainability Data

FRO222



Cradle to Gate A1-A3	Total CO ₂ emission	CO ₂ e/kg	Recycled materials
	kg CO ₂ e	kg CO ₂ e/kg	%
FRO222-1001	53.30	0.95	11.21

The overall framework applied for these factors is the Environmental Product Declaration (EPD), which quantifies "environmental information on the life cycle of a product and enable comparisons between products fulfilling the same function" (ISO, 2006). This follows the structure and applies a Life-Cycle Assessment approach to the entire Product stage from raw material through manufacturing (A1-A3))

Kompan A/S
 C.F. Tietgens Boulevard 32C
 DK-5220 Odense SØ
 Denmark



Verification of CO₂ calculation of: Fitness



Data version no. 2023-10-05

The CO₂ calculation and data are in compliance with the principles of a carbon footprint impact according to the GHG protocol (Greenhouse Gas Protocol), Scope 3, cradle to gate related to all individual components in the product category: "Fitness" represented by item no.: FAZ10100-0900.

(Scope 3 emissions include emission sources in the upstream and downstream value chain).

Date: 30. October 2023 | Valid until: 30. October 2025

Verified by:

Julie Marie Vejsgaard Larsen, LCA & EPD Consultant

Verification based on report: Validation of CO₂ calculation of 9 categories of Kompan product line, version 1.0, prepared by: Bureau Veritas HSE, Denmark: Julie M. V. Larsen.

Publication date: 30. October 2023

By Bureau Veritas HSE
 www.bureauveritas.dk
 +45 7731 1000

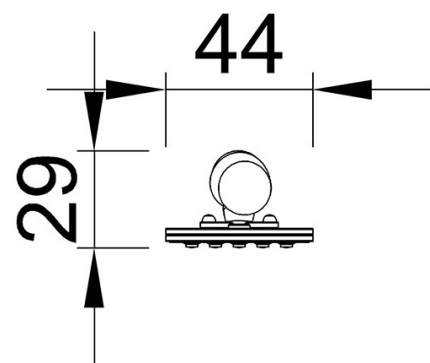


Multi Timer Robinia

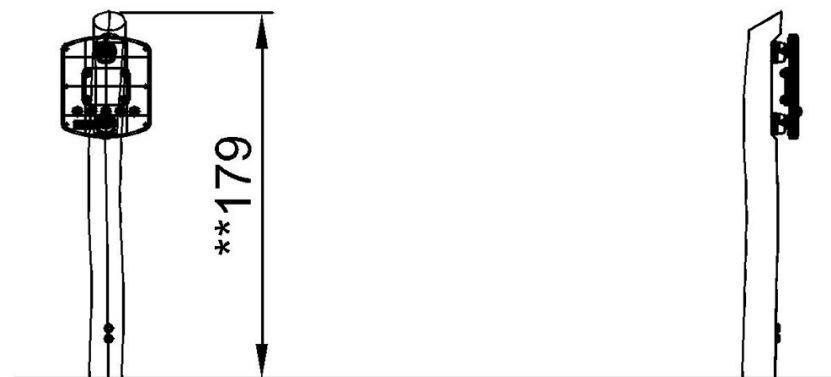
FRO222

* Max fall height | ** Total height | *** Safety surfacing area

* Max fall height | ** Total height



FRO222
** 179cm



FRO222

[Click to see TOP VIEW](#)

[Click to see SIDE VIEW](#)