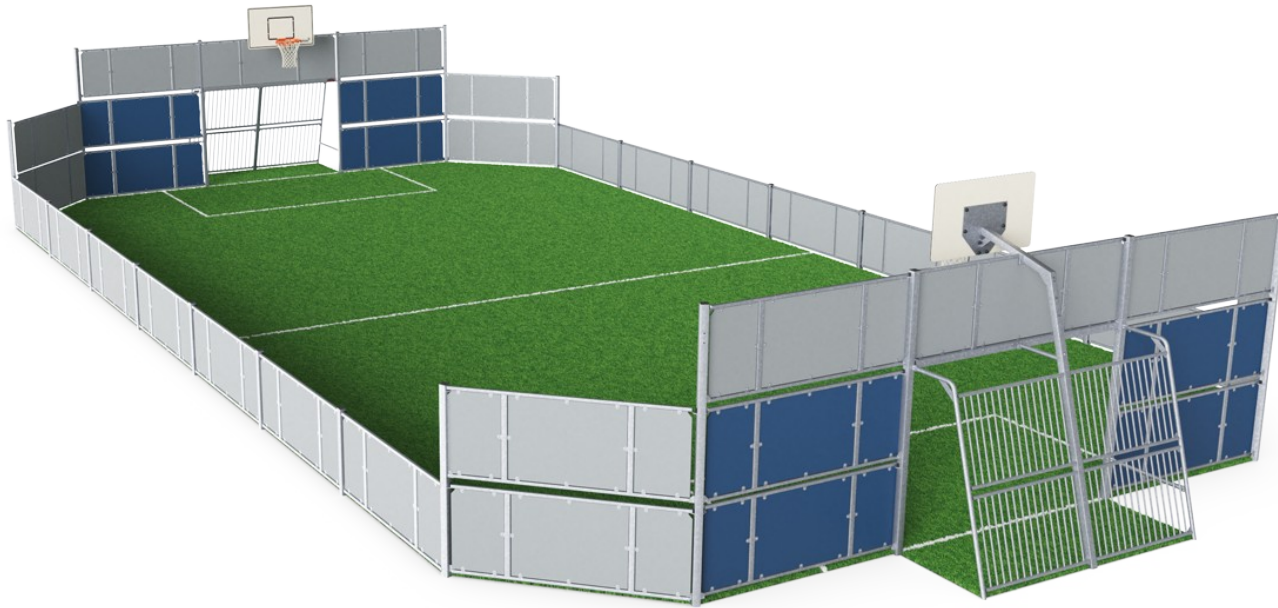


# MUSA, 39 x 79 ft, Steel/HDPE, 3 ft Walls

FRE600102

**KOMPAN**  
Let's play



Item no. FRE600102-0901

## General Product Information

Dimensions LxWxH	77'7"x38'5"x12'1"
Age group	3+
Play capacity (users)	-
Color options	



The EcoCore™ is a highly durable, ecofriendly material, which is not only recyclable after use, but also consists of a core produced from 100% recycled material. The core has a thickness of 0.59 and representing 80% of the total material. The fully flat inside gives the best bounce experience when playing. The flat wall becomes a part of the game and adds a new

dimension to it, a dimension that can challenge and develop players' tactical vision of the game. The 9'10" x 6'7" Multi Goal follows the goal size of FIFA Futsal and IHF Handball regulations. The basketball hoop is placed at the official NBA height of 10 feet, and has the official NBA size of 18 inches in diameter."

# MUSA, 39 x 79 ft, Steel/HDPE, 3 ft Walls

FRE600102



The HDPE panels are standard available in Night Sky Blue, Grey and Orange but multiple colors can be requested. To increase the design and play value you can also choose HDPE panels with patterns or logo's engraved.



All steel components are manufactured from carbon steel, welding's according EN ISO 5817 & Hot dip galvanised (HDG) according to ISO1461. This process ensures good protection in all circumstances.

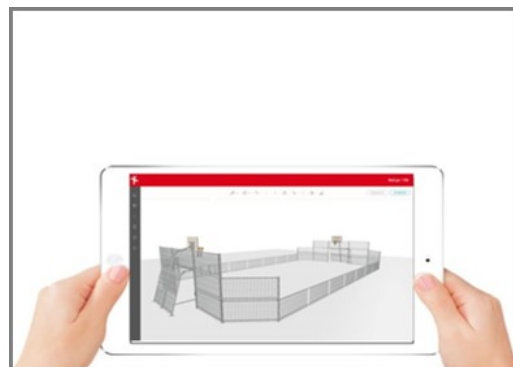


The posts are made of 80 x 80 x 3mm profile with horizontally, 6mm welded flanges. This will enable an easy installation and strong construction. The low-density polyethylene post caps are attached with blind rivets.

Item no. FRE600102-0901	
Installation Information	
Max. fall height	0'0"
Safety surfacing area	0ft <sup>2</sup>
Total installation time	75.6
Excavation volume	3.13yd <sup>3</sup>
Concrete volume	2.22yd <sup>3</sup>
Footing depth (standard)	2'9"
Shipment weight	7157lbs
Anchoring options	In-ground ✓ Surface ✓
Warranty Information	
EcoCore HDPE	Lifetime
HDG post	Lifetime
Spare Parts Availability	10 Years



Each panel has 4 Thermoplastic Vulcanizates plugs connecting the panels to the posts. The plugs reduce the vibration and therefore reduce the noise level. The plugs will also simplify installation as the come with pre-assembled nuts.



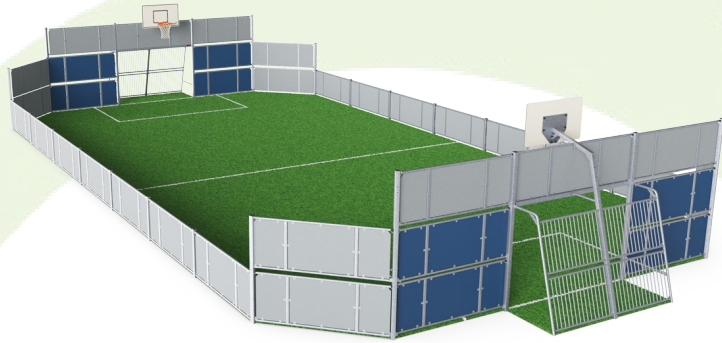
KOMPAN Multi Use Games Areas (MUGA) are designed as a flexible system. With the configurator you can easily change size, height, panels, entrances and goals to create a MUGA that fits your environment, budget and purpose.



The HDPE panels are connected with M8 stainless steel bolts to 42.5 x 40 x 3mm welded flanges. These connections are not visible from the inside and create a strong and safe connection.

# Sustainability Data

FRE600102



Cradle to Gate A1-A3	Total CO <sub>2</sub> emission	CO <sub>2</sub> e/kg	Recycled materials
	kg CO <sub>2</sub> e	kg CO <sub>2</sub> e/kg	%
<b>FRE600102-0901</b>	5,208.23	1.68	70.58

The overall framework applied for these factors is the Environmental Product Declaration (EPD), which quantifies "environmental information on the life cycle of a product and enable comparisons between products fulfilling the same function" (ISO, 2006). This follows the structure and applies a Life-Cycle Assessment approach to the entire Product stage from raw material through manufacturing (A1-A3))

**Kompan A/S**  
 C.F. Tietgens Boulevard 32C  
 DK-5220 Odense SØ  
 Denmark



## Verification of CO<sub>2</sub> calculation of: Sport



Data version no. 2023-10-05

The CO<sub>2</sub> calculation and data are in compliance with the principles of a carbon footprint impact according to the GHG protocol (Greenhouse Gas Protocol), Scope 3, cradle to gate related to all individual components in the product category: "Sport" represented by item no.: FRE600202-0901.

(Scope 3 emissions include emission sources in the upstream and downstream value chain).

**Date: 30. October 2023 | Valid until: 30. October 2025**

**Verified by:**

Julie Marie Vejsgaard Larsen, LCA & EPD Consultant

Verification based on report: Validation of CO<sub>2</sub> calculation of 9 categories of Kompan product line, version 1.0, prepared by: Bureau Veritas HSE, Denmark: Julie M. V. Larsen.

**Publication date: 30. October 2023**

**By Bureau Veritas HSE**  
 www.bureauveritas.dk  
 +45 7731 1000

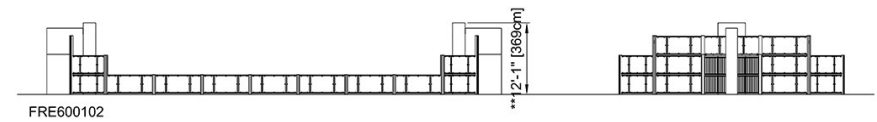
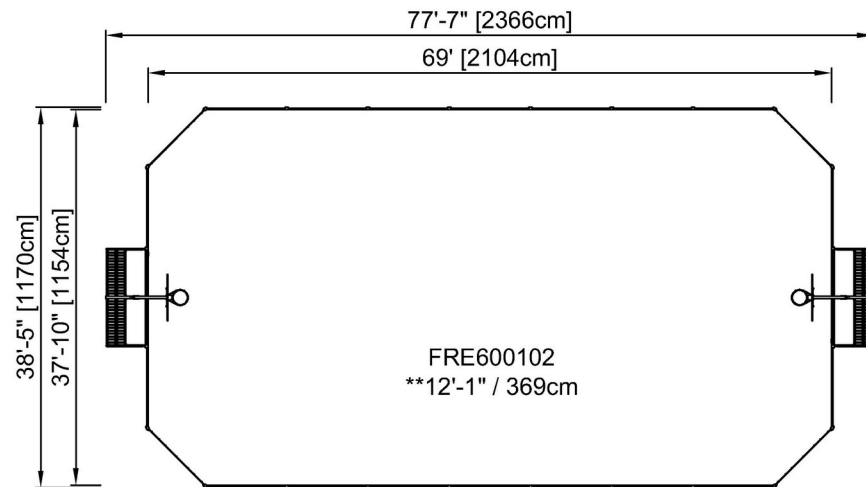


# MUSA, 39 x 79 ft, Steel/HDPE, 3 ft Walls

FRE600102

\* Max fall height | \*\* Total height | \*\*\* Safety surfacing area

\* Max fall height | \*\* Total height



[Click to see TOP VIEW](#)

[Click to see SIDE VIEW](#)