


Embankment Slide

M365

KOMPAN
Let's play



Item no. M36570-3418P	
General Product Information	
Dimensions LxWxH	62x255x67 cm
Age group	2+
Play capacity (users)	3
Colour options	



The classic KOMPAN embankment slide promotes fun play activity for all children (and those childish at heart). Due to the embankment run loop, children will run up and slide down again and again. Sliding on the embankment slide is an extra fun experience, as friends can run up or down next to their sliding friend. There is room for many children

of different ages and abilities. The embankment hill is a great place for rolling and running too. This is fun, playful cardio training for children. When children slide, they train their core muscles, sitting upright while rolling down. This stimulates trunk stability, important for avoiding back and neck pains, a growing problem in children due to sedentary lifestyles. Running

uphill or downhill, children train their balance and coordination as well as their muscle strength. They develop risk management skills, too, holding back or letting go downhill.



Embankment Slide

M365



Slide

Physical: sliding develops spatial awareness and a sense of balance. Furthermore, the core muscles are trained when sitting upright going down. **Social-Emotional:** empathy stimulated by turn-taking. **Cognitive:** young children develop their understanding of space, speed and distances when sliding down quickly.



Embankment Slide

M365



Panels of 19mm EcoCore™. EcoCore™ is a highly durable, eco friendly material, which is not only recyclable after use, but also consists of material produced from +95% recycled post consumer material from food packing waste.



The stainless-steel slides with one-piece slide bed are made of high-quality stainless-steel AISI 304.



Handle is made of polypropylene PP with excellent impact strength and usable within a large temperature span.

Item no. M36570-3418P	
Installation Information	
Max. fall height	100 cm
Safety surfacing area	15.0 m ²
Total installation time	3.4
Excavation volume	0.21 m ³
Concrete volume	0.00 m ³
Footing depth (standard)	95 cm
Shipment weight	141 kg
Anchoring options	In-ground ✓
Warranty Information	
EcoCore HDPE	Lifetime
Spare parts guaranteed	10 years
Stainless steel slide	10 years



Sustainability Data

M365



Cradle to Gate A1-A3	Total CO ₂ emission	CO ₂ e/kg	Recycled materials
	kg CO ₂ e	kg CO ₂ e/kg	%
M36570-3418P	137.76	1.78	64.54

The overall framework applied for these factors is the Environmental Product Declaration (EPD), which quantifies "environmental information on the life cycle of a product and enable comparisons between products fulfilling the same function" (ISO, 2006). This follows the structure and applies a Life-Cycle Assessment approach to the entire Product stage from raw material through manufacturing (A1-A3))

Kompan A/S
C.F. Tietgens Boulevard 32C
DK-5220 Odense SØ
Denmark



Verification of CO₂ calculation of: Freestanding play equipment



Data version no. 2023-10-05

The CO₂ calculation and data are in compliance with the principles of a carbon footprint impact according to the GHG protocol (Greenhouse Gas Protocol), Scope 3, cradle to gate related to all individual components in the product category: "Freestanding play equipment" represented by item no.: GXY916012-3417.

(Scope 3 emissions include emission sources in the upstream and downstream value chain).

Date: 30. October 2023 | Valid until: 30. October 2025

Verified by:

Julie Marie Vejsgaard Larsen, LCA & EPD Consultant

Verification based on report: Validation of CO₂ calculation of 9 categories of Kompan product line, version 1.0, prepared by: Bureau Veritas HSE, Denmark: Julie M. V. Larsen.

Publication date: 30. October 2023

By Bureau Veritas HSE
www.bureauveritas.dk
+45 7731 1000

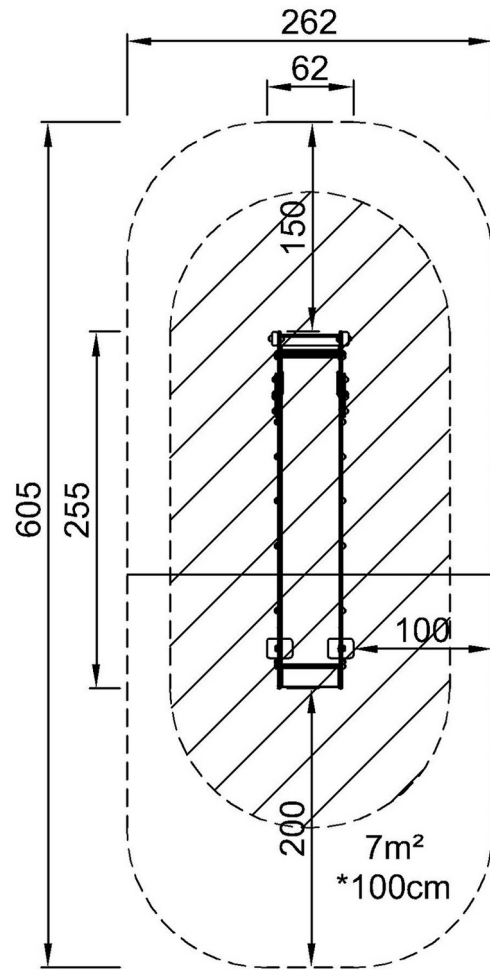


Embankment Slide

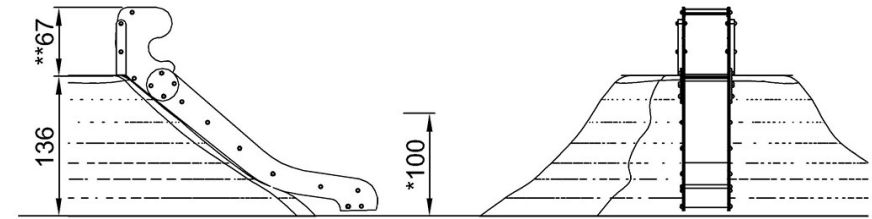
M365

* Max fall height | ** Total height | *** Safety surfacing area

* Max fall height | ** Total height



M36570
*100
**67cm
***15m²



M36570

[Click to see TOP VIEW](#)

[Click to see SIDE VIEW](#)