

# WeHopper, Mini

PCM158

**KOMPAN**  
Let's play



Item no. PCM158-1001

## General Product Information

Dimensions LxWxH	216x43x122 cm
Age group	3+
Play capacity (users)	2
Colour options	  



WOW! The thrilling activity of rotating, rocking and cooperating with a friend is hugely appealing to children of all ages. The WeHopper Mini is perfect in size for young children, and their enthusiasm in mastering the activity is pure play. When pushing with the feet and pulling with the arms, the WeHopper is set into motion. This trains coordination skills as

well as muscles. The handholds allow for different grip heights so that a span of ages are able to get a firm grip. When rotating, the children stimulate their sense of balance, which is fundamental for all other motor skills and involves the ability to for instance sit still on a chair. The coordination of movements for the individual child, and not least the coordination

of movements together with a friend, takes concentration and body mastery. This stimulates social skills, and it builds confidence in movement, supporting self-efficacy.



Data is subject to change without prior notice.

# WeHopper, Mini

PCM158



## Rotation

**Physical:** pushing or pulling it into motion, children use their muscle strength and strengthen their cardio. The rotation develops the sense of balance and space when enjoying the ride. **Social-Emotional:** listening and negotiating how slow or fast to go, children develop their empathy and cooperation skills.



## Handhold

**Physical:** the vertical handgrips ensure a firm grip at different heights, necessary for rocking intensely. This trains hand and arm muscles.



## Rocking together

**Social-Emotional:** the possibility of rocking two together trains cooperation skills. Consideration of others when rocking.



## Rocking movement

**Physical:** response to movements adds to spatial awareness and sense of balance. These are fundamental motor skills that help the child's ability to sit still on a chair which takes a good sense of balance. **Cognitive:** trains the understanding of cause and effect: when I move my body, the spring responds with movement.

# WeHopper, Mini

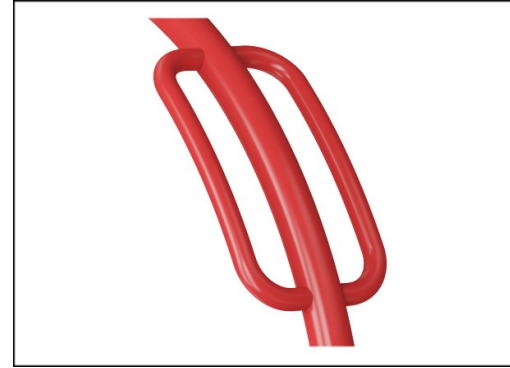
PCM158



The metal parts are made of high quality steel, hot dip galvanized inside and outside with leadfree zinc. On the top part there is an additional layer of powder coating. This ensures both excellent corrosion resistance and colorful design expression.



The seats are with a structural core of PP and the softer outside layer of black TPV. TPV has high impact resistance across a wide temperature span which also ensures vandal resistance in all locations.



The large rounded handles are welded directly onto the main pipe to ensure high durability of the dynamic product.



The rocking movement is controlled by a heavy duty scaled rubber torsion spring element. The rubber element ensures a damped movement up and down.



Heavy duty engineered bearing system with two single row deep groove high quality ball bearings with rubber seals. The fully closed bearing construction is lifetime lubricated.



The product is equipped with a friction brake placed inside the bearing house. The brake is adjusted to stop within two revolutions.

Item no. PCM158-1001

### Installation Information

Max. fall height	80 cm
Safety surfacing area	20.9 m <sup>2</sup>
Total installation time	2.7
Excavation volume	0.50 m <sup>3</sup>
Concrete volume	0.29 m <sup>3</sup>
Footing depth (standard)	100 cm
Shipment weight	172 kg
Anchoring options	In-ground ✓ Surface ✓

### Warranty Information

Bearing construction	5 years
Hot dip galvanised steel	Lifetime
Movable parts	2 years
Spare parts guaranteed	10 years
Swing seat	10 years



# Sustainability Data

PCM158



Cradle to Gate A1-A3	Total CO <sub>2</sub> emission	CO <sub>2</sub> e/kg	Recycled materials
	kg CO <sub>2</sub> e	kg CO <sub>2</sub> e/kg	%
<b>PCM158-1001</b>	219.60	2.85	43.44

The overall framework applied for these factors is the Environmental Product Declaration (EPD), which quantifies "environmental information on the life cycle of a product and enable comparisons between products fulfilling the same function" (ISO, 2006). This follows the structure and applies a Life-Cycle Assessment approach to the entire Product stage from raw material through manufacturing (A1-A3))

**Kompan A/S**  
 C.F. Tietgens Boulevard 32C  
 DK-5220 Odense SØ  
 Denmark



## Verification of CO<sub>2</sub> calculation of: Freestanding play equipment



Data version no. 2023-10-05

The CO<sub>2</sub> calculation and data are in compliance with the principles of a carbon footprint impact according to the GHG protocol (Greenhouse Gas Protocol), Scope 3, cradle to gate related to all individual components in the product category: "Freestanding play equipment" represented by item no.: GXY916012-3417.

(Scope 3 emissions include emission sources in the upstream and downstream value chain).

**Date: 30. October 2023 | Valid until: 30. October 2025**

**Verified by:**

Julie Marie Vejsgaard Larsen, LCA & EPD Consultant

Verification based on report: Validation of CO<sub>2</sub> calculation of 9 categories of Kompan product line, version 1.0, prepared by: Bureau Veritas HSE, Denmark: Julie M. V. Larsen.

**Publication date: 30. October 2023**

**By Bureau Veritas HSE**  
 www.bureauveritas.dk  
 +45 7731 1000

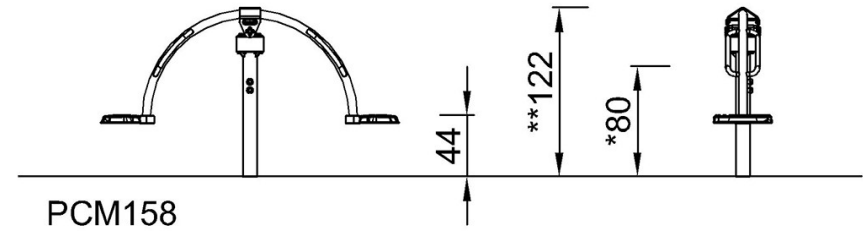
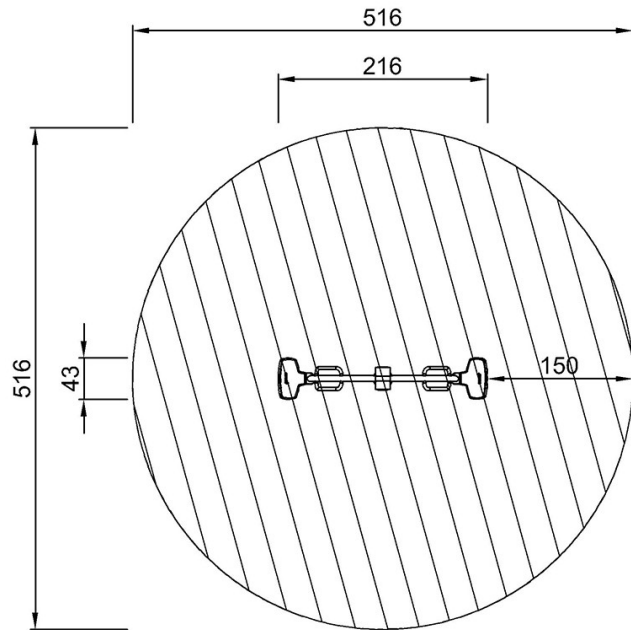


# WeHopper, Mini

PCM158

\* Max fall height | \*\* Total height | \*\*\* Safety surfacing area

\* Max fall height | \*\* Total height



PCM158  
\*80cm  
\*\*122cm  
\*\*\*20.9m<sup>2</sup>

[Click to see TOP VIEW](#)

[Click to see SIDE VIEW](#)