

# Toddlers Castle

MSC5417

**KOMPAN**  
Let's play



Item no. MSC541701-3417P

## General Product Information

Dimensions LxWxH	277x205x149 cm
Age group	1+
Play capacity (users)	8
Colour options	



The toddler's castle will immediately attract the youngest children to move their bodies and experience the thrill of crawling or walking up and sliding down. Children can experience a sense of thrill in every step along the way, and stories to be imagined around this special structure. This supports longer playtimes that enhance overall development for children.

Walking up the stairs helps young children to cross-coordinate, which is crucial e.g. for later reading skills. Sliding down is fun and it builds core muscles as well as a sense of space and balance. These are fundamental motor skills that support the toddler's physical mastery. The richness of sound, touch and socialize-elements invites a play journey: on the

platform, a flower window distorts the voice in which in turn, becomes a learning experience. A table with play ring invites breaks, adding to the socializing.



# Toddlers Castle

MSC5417



## Slide

**Physical:** develops spatial awareness, sense of balance and trains core muscles when sitting upright going down. **Social-Emotional:** empathy stimulated by turn-taking. **Cognitive:** young children develop their understanding of space, speed and distances when sliding down.



## Stairway

**Physical:** climbing the stairs supports cross coordination as well as arm and leg muscles. **Social-Emotional:** room for active breaks and adult helpers. An inclusive space.



## Bubble window

**Social-Emotional:** invites interaction between outside and inside. **Cognitive:** distorts the sound of the voice, developing logical thinking.



## Desk with ring

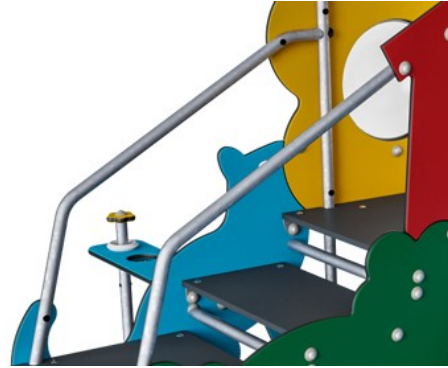
**Social-Emotional:** a place for meeting and exchanging. **Creative:** sand and construction play encouraged with sieve in desk.

# Toddlers Castle

MSC5417



Panels of 19mm EcoCore™. EcoCore™ is a highly durable, eco-friendly material, which is not only recyclable after use but also consists of a core produced from 100% recycled material.



The steel surfaces are hot-dip galvanised inside and outside with lead-free zinc. The galvanisation has excellent corrosion resistance in outside environments and requires low maintenance.



Platform and seats are made of HPL with a thickness of 17,8mm with a very high wearing strength and a unique KOMPAN non-skid surface texture.

Item no. MSC541701-3417P

## Installation Information

Max. fall height	100 cm
Safety surfacing area	19.7 m <sup>2</sup>
Total installation time	8.9
Excavation volume	0.30 m <sup>3</sup>
Concrete volume	0.00 m <sup>3</sup>
Footing depth (standard)	60 cm
Shipment weight	198 kg
Anchoring options	In-ground ✓ Surface ✓

## Warranty Information

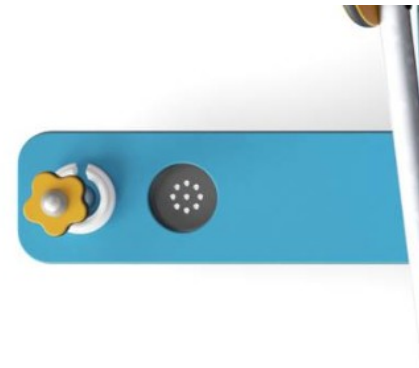
EcoCore HDPE	Lifetime
Galvanised Steel	Lifetime
Movable Parts	2 years
Spare Parts Guarantee	10 years



On the side of the wall, there is a transparent bubble which is made from UV-stabilised PC.



The slide bed can be chosen in different materials: Straight moulded PE or stainless steel slide bed t=2mm. Sides of the slides are made of EcoCore™.



The sand strainer is made of high-quality stainless steel to ensure the durability of the product.



# Sustainability Data

MSC5417



Cradle to Gate A1-A3	Total CO <sub>2</sub> emission	CO <sub>2</sub> e/kg	Recycled materials
	kg CO <sub>2</sub> e	kg CO <sub>2</sub> e/kg	%
<b>MSC541701-3417P</b>	282.59	1.95	54.22

The overall framework applied for these factors is the Environmental Product Declaration (EPD), which quantifies "environmental information on the life cycle of a product and enable comparisons between products fulfilling the same function" (ISO, 2006). This follows the structure and applies a Life-Cycle Assessment approach to the entire Product stage from raw material through manufacturing (A1-A3))

**Kompan A/S**  
C.F. Tietgens Boulevard 32C  
DK-5220 Odense SØ  
Denmark



## Verification of CO<sub>2</sub> calculation of: Themed play systems



Data version no. 2023-10-05

The CO<sub>2</sub> calculation and data are in compliance with the principles of a carbon footprint impact according to the GHG protocol (Greenhouse Gas Protocol), Scope 3, cradle to gate related to all individual components in the product category: "Themed play systems" represented by item no.: MSC641100-3717P.

(Scope 3 emissions include emission sources in the upstream and downstream value chain).

**Date: 30. October 2023 | Valid until: 30. October 2025**

Verified by:

Julie Marie Vejsgaard Larsen, LCA & EPD Consultant

Verification based on report: Validation of CO<sub>2</sub> calculation of 9 categories of Kompan product line, version 1.0, prepared by: Bureau Veritas HSE, Denmark: Julie M. V. Larsen.

**Publication date: 30. October 2023**

By Bureau Veritas HSE  
www.bureauveritas.dk  
+45 7731 1000

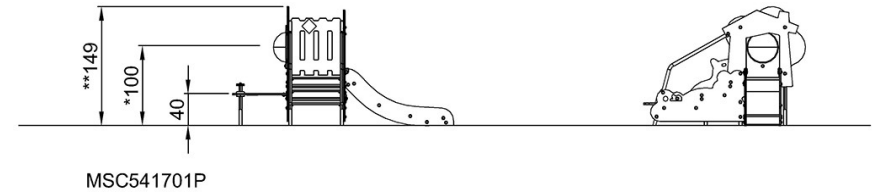
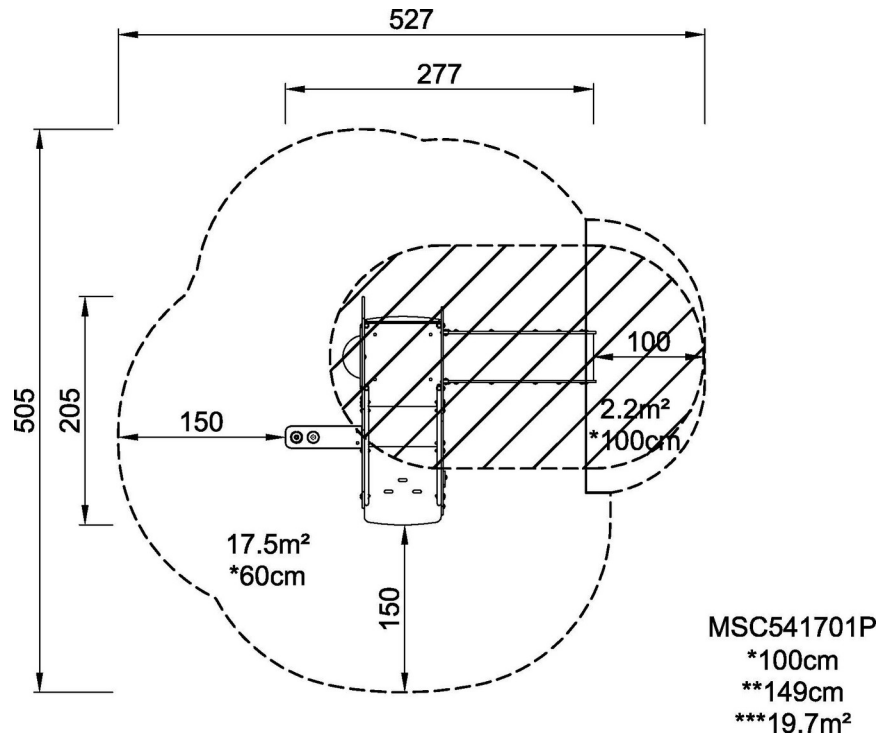


# Toddlers Castle

MSC5417

\* Max fall height | \*\* Total height | \*\*\* Safety surfacing area

\* Max fall height | \*\* Total height



[Click to see TOP VIEW](#)

[Click to see SIDE VIEW](#)