

Large Slide Tower

PCM114731

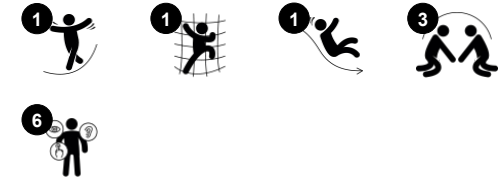
KOMPANI
Let's play



Item no. PCM114731-0901

General Product Information

Dimensions LxWxH	22'2"x5'8"x13'5"
Age group	5 - 12
Play capacity (users)	6
Color options	



The Large Slide Tower is a great play attraction for developing children. The levels encourage physical play and will inspire children to play again and again. The children can crawl, walk, and run the stairways, which trains cross-coordination. Cross-coordination enhances children's ability to use both sides of the brain, supporting the enabling of reading and

thinking. The roomy stairway allows for breaks and social interaction, too.

The slide is stomach-tickling fun, training children's sense of balance, spatial awareness, and core muscles when sitting upright and going down. On the slide, children learn about turn-taking, empathy, and cooperation. These

are important socio-emotional skills for corporative play. The space under the tower allows for a place to be together with friends, communicating by the number and shape panel.

Large Slide Tower

PCM114731



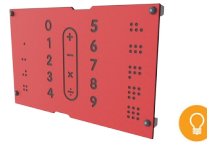
Slide

Physical: sliding develops spatial awareness and a sense of balance. Furthermore, the core muscles are trained when sitting upright going down. **Social-Emotional:** empathy stimulated by turn-taking.



Accessible stairway

Physical: climbing the accessible stairway is for all and supports cross coordination as well as arm and leg muscles. For young children, walking stairs and alternating feet is developed. **Social-Emotional:** room for active breaks and adult helpers. An inclusive space.



Number and shape panel

Cognitive: stimulate children's language skills and knowledge of numbers and geometric shapes.

Large Slide Tower

PCM114731



Panels of 19mm EcoCore™. EcoCore™ is a highly durable, eco friendly material, which is not only recyclable after use, but also consists of a core produced from 100% recycled material.



Main posts with hot-dip galvanized steel footing are available in different materials: Pressure impregnated pinewood posts. Pre-galvanized inside and outside with powder-coated top finish steel posts. Lead-free aluminum with color anodized top finish. Greenline TexMade posts of 100% post-consumer recycled PE and textile waste.



All decks are supported by uniquely designed low-carbon aluminum profiles with multiple attachment options. The grey-colored molded decks are made of 75% post-consumer ocean waste PP material with a non-skid pattern and texture surface.

Item no. PCM114731-0901	
Installation Information	
Max. fall height	5'10"
Safety surfacing area	487ft ²
Total installation time	17.2
Excavation volume	0.5yd ³
Concrete volume	0yd ³
Footing depth (standard)	2'11"
Shipment weight	1308lbs
Anchoring options	In-ground ✓ Surface ✓
Warranty Information	
EcoCore HDPE	Lifetime
Hot dip galvanized steel	Lifetime
Post	10 Years
PP Decks	10 Years
Spare Parts Availability	10 Years



The steel surfaces are hot-dip galvanized inside and outside with lead-free zinc. The galvanization has excellent corrosion resistance in outside environments and requires minimal maintenance.



The slides can be chosen in six different colors and three materials: Straight or curved one-piece molded PE slides. Combined EcoCore™ sides and stainless steel. Full stainless steel in a one-piece design for more vandalism-proof solutions.



KOMPAN GreenLine versions are constructed with the most environmentally friendly materials with the lowest possible CO2e emission factor. TexMade posts, EcoCore™ panels of 100% post-consumer recycled ocean waste, and molded PP decks.

Elevated activities 1	Accessible elevated activities	Accessible ground level activities	Accessible ground level play types
Present	1	1	1
Required	0	0	0

ASTM F1487
compliant

Sustainability Data

PCM114731



Cradle to Gate A1-A3	Total CO ₂ emission	CO ₂ e/kg	Recycled materials
	kg CO ₂ e	kg CO ₂ e/kg	%
PCM114731-0950	674.21	1.31	77.38
PCM114731-0901	897.86	1.96	65.91

The overall framework applied for these factors is the Environmental Product Declaration (EPD), which quantifies "environmental information on the life cycle of a product and enable comparisons between products fulfilling the same function" (ISO, 2006). This follows the structure and applies a Life-Cycle Assessment approach to the entire Product stage from raw material through manufacturing (A1-A3))

Kompan A/S
C.F. Tietgens Boulevard 32C
DK-5220 Odense SØ
Denmark



Verification of CO₂ calculation of: Play systems



Data version no. 2023-10-05

The CO₂ calculation and data are in compliance with the principles of a carbon footprint impact according to the GHG protocol (Greenhouse Gas Protocol), Scope 3, cradle to gate related to all individual components in the product category: "Play systems" represented by item no.: PCM200321-0950.

(Scope 3 emissions include emission sources in the upstream and downstream value chain).

Date: 30. October 2023 | Valid until: 30. October 2025

Verified by:

Julie Marie Vejsgaard Larsen, LCA & EPD Consultant

Verification based on report: Validation of CO₂ calculation of 9 categories of Kompan product line, version 1.0, prepared by: Bureau Veritas HSE, Denmark: Julie M. V. Larsen.

Publication date: 30. October 2023

By Bureau Veritas HSE
www.bureauveritas.dk
+45 7731 1000

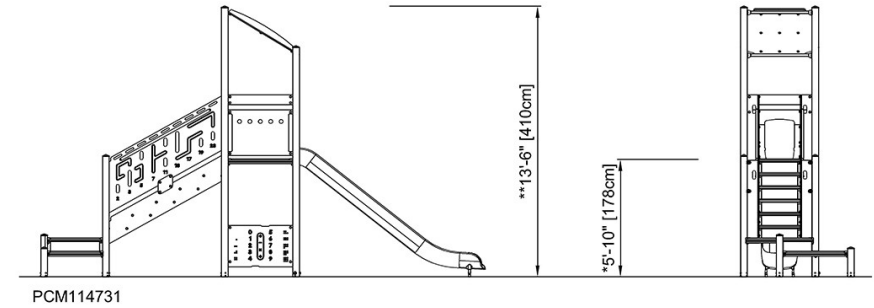
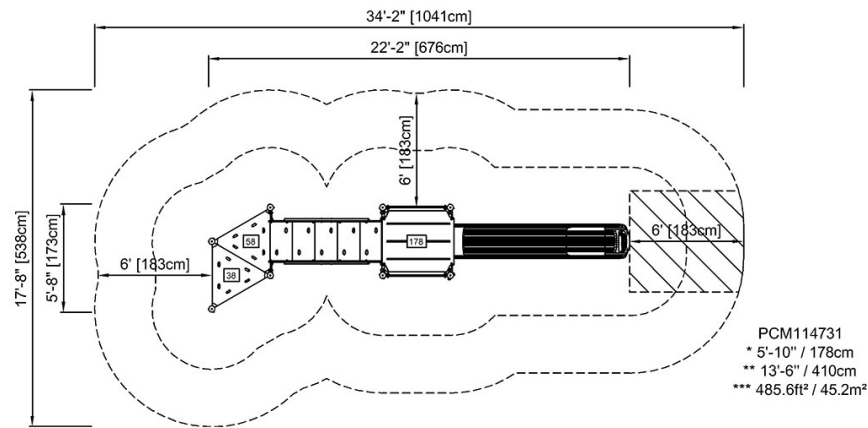


Large Slide Tower

PCM114731

* Max fall height | ** Total height | *** Safety surfacing area

* Max fall height | ** Total height



[Click to see TOP VIEW](#)

[Click to see SIDE VIEW](#)