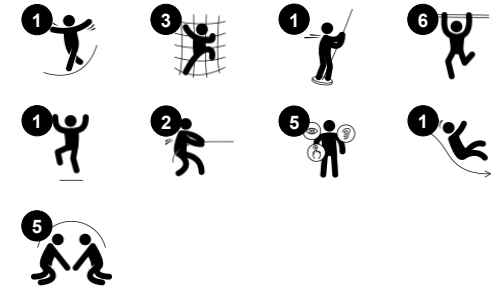


The Monkey Tower

NRO1014



Item no. NRO1014-1021	
General Product Information	
Dimensions LxWxH	544x270x415 cm
Age group	6+
Play capacity (users)	9
Colour options	



The Monkey Tower is play inspiration for children. Thanks to the variation of play challenges they will come back to play again and again. The inclined climbing net is a supportive access to the elevated house. The vertical climbing wall is the more challenging choice. They both train the cross-coordination, stimulating the cross-modal perception, which

is fundamental for reading skills. From the platform children can choose from the thrilling banister bars or the overhead bars. The banister bars train the child's sense of space and the proprioception. These are necessary in judging distances correctly and navigating the world securely. Across the unit, children can interact and cooperate, adding to their social-

emotional development when turn-taking, negotiating and making friends.

The Monkey Tower

NRO1014



Monkey bar

Physical: the upper body muscles that are under-challenged due to sedentary lifestyles are developed immensely. So does the coordination and trunk stability. This type of training is preventive for backaches and cross coordination supports cooperation between the left and right brain halves, necessary for other skills such as reading.



Banister bars

Physical: coordination is supported when going down, as well as arm and core muscles. Landing strengthens bone density, which is built for life in childhood. **Social-Emotional:** turn-taking and risk-taking.



Climbing net

Physical: the inclined net supports the upward climbing movement of the body. The net supports cross-body coordination, which impacts coordination of the right and left part of brain, fundamental for other skills such as the ability to read. The asymmetry of the net challenges the children's climbing.



Climbing wall

Physical: supports cross coordination and leg, arm and hand strength. Climbing through the hole trains proprioception. **Social-Emotional:** children develop courage when climbing up high. This positively affects self-confidence.

The Monkey Tower

NRO1014



All Organic Robinia products by KOMPAN are made of Robinia wood from sustainable European sources. On request it can be supplied as FSC® Certified (FSC® C004450).



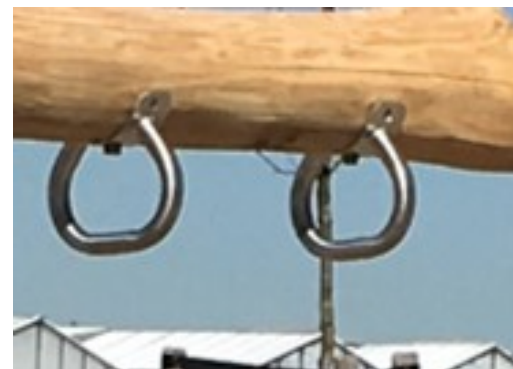
The paint used for coloured components is water based environmentally friendly with excellent UV resistance. The paint is in compliance with EN 71 Part 3.



The hardware is made of stainless steel or galvanised steel to ensure durable connections with a high corrosion resistance.



Ropes of UV-stabilized PES rope strands with inner steel cable reinforcement. The polyester yarn is made from +95% post-consumer materials and is inductively melted onto each strand.



Overhead climbing handles are made of high quality stainless steel. The handles are attached to the upper robinia crossbeam by stainless steel hardware.



The Robinia products are designed with a KOMPAN colour concept with a number of different standard colours. The wood can also be supplied as untreated or with brown painted with a pigment that maintains the wood colour.

Item no. NRO1014-1021

Installation Information

Max. fall height	250 cm
Safety surfacing area	38.3 m ²
Total installation time	18.7
Excavation volume	1.53 m ³
Concrete volume	0.17 m ³
Footing depth (standard)	100 cm
Shipment weight	1,037 kg
Anchoring options	In-ground ✓

Warranty Information

Robinia wood	15 years
Ropes & nets	10 years
Spare parts guaranteed	10 years
Stainless steel components	Lifetime
Stainless steel components	Lifetime



Sustainability Data

NRO1014



Cradle to Gate A1-A3	Total CO ₂ emission	CO ₂ e/kg	Recycled materials
	kg CO ₂ e	kg CO ₂ e/kg	%
NRO1014-1021	297.91	0.35	3.92

The overall framework applied for these factors is the Environmental Product Declaration (EPD), which quantifies "environmental information on the life cycle of a product and enable comparisons between products fulfilling the same function" (ISO, 2006). This follows the structure and applies a Life-Cycle Assessment approach to the entire Product stage from raw material through manufacturing (A1-A3))

Kompan A/S
 C.F. Tietgens Boulevard 32C
 DK-5220 Odense SØ
 Denmark



Verification of CO₂ calculation of: Nature play



Data version no. 2023-10-05

The CO₂ calculation and data are in compliance with the principles of a carbon footprint impact according to the GHG protocol (Greenhouse Gas Protocol), Scope 3, cradle to gate related to all individual components in the product category: "Nature play" represented by item no.: NRO409-0621.

(Scope 3 emissions include emission sources in the upstream and downstream value chain).

Date: 30. October 2023 | Valid until: 30. October 2025

Verified by:

Julie Marie Vejsgaard Larsen, LCA & EPD Consultant

Verification based on report: Validation of CO₂ calculation of 9 categories of Kompan product line, version 1.0, prepared by: Bureau Veritas HSE, Denmark: Julie M. V. Larsen.

Publication date: 30. October 2023

By Bureau Veritas HSE
 www.bureauveritas.dk
 +45 7731 1000

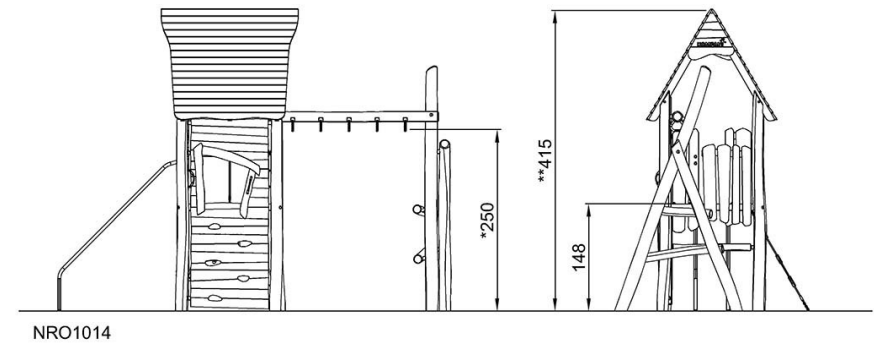
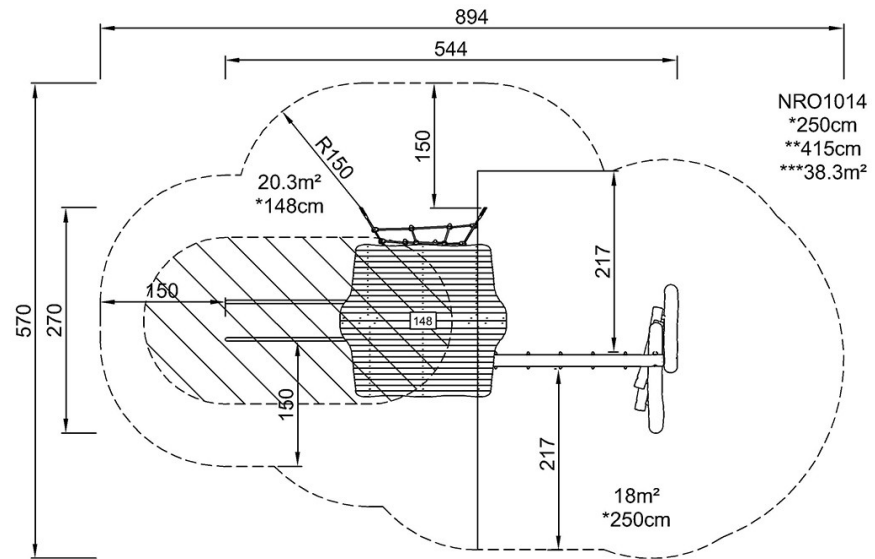


The Monkey Tower

NRO1014

* Max fall height | ** Total height | *** Safety surfacing area

* Max fall height | ** Total height



[Click to see TOP VIEW](#)

[Click to see SIDE VIEW](#)