

Playhut with Side & Desks

NRO411

KOMPAN
Let's play



产品编号 NRO411-1021

产品信息概览

长宽高尺寸	180x163x158 cm
适用年龄段	1+
容纳人数	8
颜色选择	



A playhut easily attracts in younger children who just want to simply play. The simple yet intentional design and the detail in its features supports and enhances children's play. The wide open space allows for a flow of children in and around the play space. This increases social interactions and supports the children when they are looking for a way to interact with

others comfortably. The roof provides a sheltered space allowing the children to move in and out of the playhut while using their imagination. The fenced section of the house also creates an additional opportunity for play and movement around the playhut. The children can use this area to talk, socialise, to pass materials such as sand through and to

play hide and seek. The desk area adds another dimension to the play by providing a space for creating play themes that involve exchanges over the desks and through the open window space. All of these activities support a healthy development through play.



Playhut with Side & Desks

NRO411

KOMPANI
Let's play



游戏主题

认知能力：鼓励戏剧游戏，刺激儿童语言和交流能力的发展。



长凳

社交情感：鼓励社交和合作互动。和朋友们一起休息一下。



台板

社交情感：这里是绝佳的聚会场所，也是储物或休憩空间。

Playhut with Side & Desks

NRO411



KOMPAN 的所有有机刺槐产品均由 刺槐木材制成，来自欧洲的可持续环保木材。可根据要求提供 FSC® Certified (FSC® C004450)



产品 / 活动出厂时已预先组装，以确保考虑到所有安全要求。



用于彩色组分的涂料是水基环保型涂料，具有出色的抗紫外线性能。涂料符合 EN 71 第 3 部分的规定。

产品编号 NRO411-1021

安装信息

最大跌落高度	0 cm
安全面积	17.1 m ²
安装总时长	5.6
开挖量	0.63 m ³
混凝土使用量	0.00 m ³
标准入地深度	100 cm
运输重量	263 kg
固定选项	入地 ✓

质保信息

EcoCore HDPE	终身质保
镀锌钢结构	终身质保
Robinia 木材	15 年
承保零部件	10 年
不锈钢零件	终身质保



游戏室的内部为地板，外部的地板作为小阳台。



所有产品都有多个基础选项：带钢基础和膨胀螺栓的地表安装。木制结构入地安装或钢材入地安装结构。



刺槐产品有三种不同的木材处理选项：未经处理的刺槐木或棕褐色涂有颜料的颜料，可保持木材的颜色，并使用选定成分的涂料着色。



Sustainability Data

NRO411



从原材料到成品

CO₂ 排放总量

kg CO₂e

CO₂ 排放量 / 千克

kg CO₂e/kg

回收的原料

%

NRO411-1021

39.59

0.19

1.12

这些因素采用的总体框架为环保产品声明 (EPD), 该声明可量化“产品生命周期的环保信息, 并对相同功能的产品进行对比”(ISO, 2006)。在遵循该框架的同时, 对从原材料到制造的整个产品阶段 (A1-A3) 应用生命周期评估法。

Kompan A/S

C.F. Tietgens Boulevard 32C
DK-5220 Odense SØ
Denmark



Verification of CO₂ calculation of: Nature play



Data version no. 2023-10-05

The CO₂ calculation and data are in compliance with the principles of a carbon footprint impact according to the GHG protocol (Greenhouse Gas Protocol), Scope 3, cradle to gate related to all individual components in the product category: "Nature play" represented by item no.: NRO409-0621.

(Scope 3 emissions include emission sources in the upstream and downstream value chain).

Date: 30. October 2023 | Valid until: 30. October 2025

Verified by:

Julie Marie Vejsgaard Larsen, LCA & EPD Consultant

Verification based on report: Validation of CO₂ calculation of 9 categories of Kompan product line, version 1.0, prepared by: Bureau Veritas HSE, Denmark: Julie M. V. Larsen.

Publication date: 30. October 2023

By Bureau Veritas HSE
www.bureauveritas.dk
+45 7731 1000

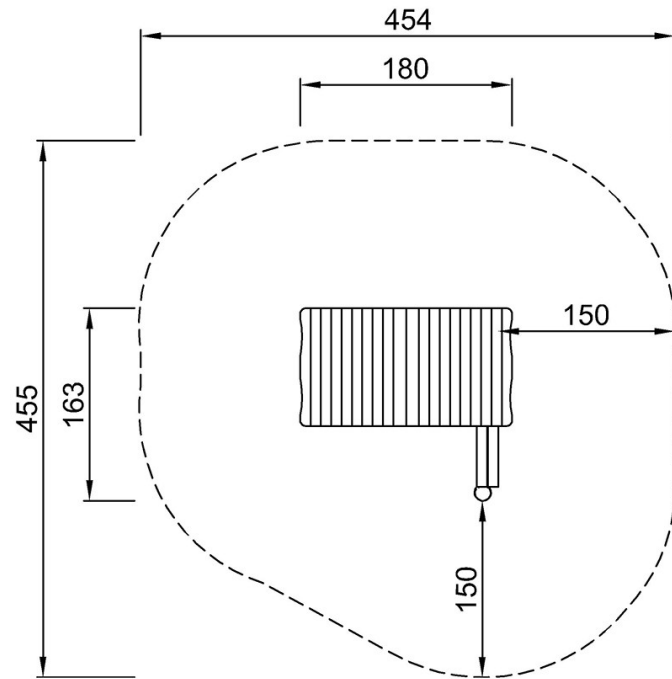


Playhut with Side & Desks

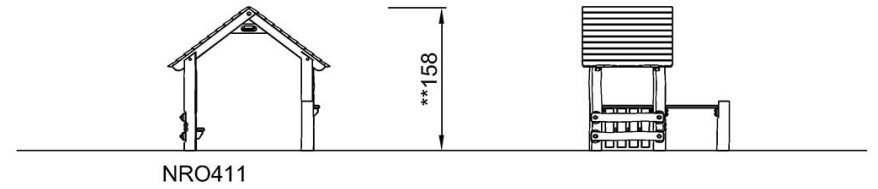
NRO411

最大跌落高度 | 总高度 | 安全区域

最大跌落高度 | 总高度



NRO411
**158cm
***17.1m²



[点击查看俯视图](#)

[点击查看侧面图](#)