

Stack & Turn Play Panel

NRC60101



The intriguing Stack and Turn play panel inspires small group and individual play again and again. The two vertical ropes feature each three flat rubber 'stones' that can be turned and stacked, training fine motor skills and coordination in pre-schoolers. The children spend time figuring out the functionality, how to turn the stone to lift it up, and how to turn it to

make it stay in its stack. They also figure out how to sequence actions to manage stacking. This takes logical thinking skills and builds up the fundament for strategic thinking.

产品编号 NRC60101-1021	
产品信息概览	
长宽高尺寸	125x21x101 cm
适用年龄段	1+
容纳人数	2
颜色选择	



Stack & Turn Play Panel

NRC60101



Stack and Turn Panel

身体素质：将橡胶球在绳子上上下下移动，可以训练手眼协调能力，这对运动控制能力非常重要。**社交情感：**共同合作移动和堆叠小球有助于培养协商能力和轮流意识。**认知能力：**想方设法转动橡胶球以通过“锁”，可以激发逻辑思维能力和对顺序的理解。**创造力：**将椭圆放到新位置会留下痕迹。



Stack & Turn Play Panel

NRC60101



Ropes of UV-stabilized PES rope strands with inner steel cable reinforcement. The polyester yarn is made of +95% Post-consumer materials and is inductively melted onto each strand to obtain excellent wear and tear resistance.



Corocord membranes consist of friction-proof rubberized material of conveyor belt quality with excellent UV resistance. Tested and compliant with REACH requirements for PAH. Embedded is a four-layered armouring made of woven polyester. The armouring and the two surface layers result in a total thickness of 8 mm.



KOMPAN 的所有有机刺槐产品均由 刺槐木材制成，来自欧洲的可持续环保木材。可根据要求提供 FSC® Certified (FSC® C004450)



Transparent brown pigmented and colored parts, are coated with water-based paint and pigment that is environmentally friendly and with excellent UV resistance. The paint and pigment is in compliance with EN 71 Part 3.



所有产品都有多个基础选项：带钢基础和膨胀螺栓的地表安装。木制结构入地安装或钢材入地安装结构。

产品编号 NRC60101-1021

安装信息

最大跌落高度	0 cm
安全面积	15.5 m ²
安装总时长	3.0
开挖量	0.50 m ³
混凝土使用量	0.40 m ³
标准入地深度	100 cm
运输重量	116 kg
固定选项	入地 ✓

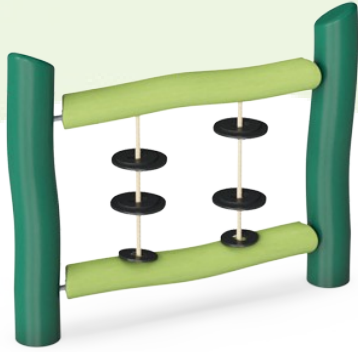
质保信息

Corocord 绳索	10 年
橡胶软膜	2 年
Robinia 木材	15 年
承保零部件	10 年



Sustainability Data

NRC60101



从原材料到成品

CO₂ 排放总量

kg CO₂e

CO₂ 排放量 / 千克

kg CO₂e/kg

回收的原料

%

NRC60101-1021

25.70

0.26

1.07

这些因素采用的总体框架为环保产品声明 (EPD), 该声明可量化“产品生命周期的环保信息, 并对相同功能的产品进行对比”(ISO, 2006)。在遵循该框架的同时, 对从原材料到制造的整个产品阶段 (A1-A3) 应用生命周期评估法。

Kompan A/S

C.F. Tietgens Boulevard 32C
DK-5220 Odense SØ
Denmark

Validation of CO₂ calculation method
BUREAU VERITAS
HSE Denmark A/S



Verification of CO₂ calculation of: Nature play



Data version no. 2023-10-05

The CO₂ calculation and data are in compliance with the principles of a carbon footprint impact according to the GHG protocol (Greenhouse Gas Protocol), Scope 3, cradle to gate related to all individual components in the product category: "Nature play" represented by item no.: NRO409-0621.

(Scope 3 emissions include emission sources in the upstream and downstream value chain).

Date: 30. October 2023 | Valid until: 30. October 2025

Verified by:

Julie Marie Vejsgaard Larsen, LCA & EPD Consultant

Verification based on report: Validation of CO₂ calculation of 9 categories of Kompan product line, version 1.0, prepared by: Bureau Veritas HSE, Denmark: Julie M. V. Larsen.

Publication date: 30. October 2023

By Bureau Veritas HSE

www.bureauveritas.dk

+45 7731 1000

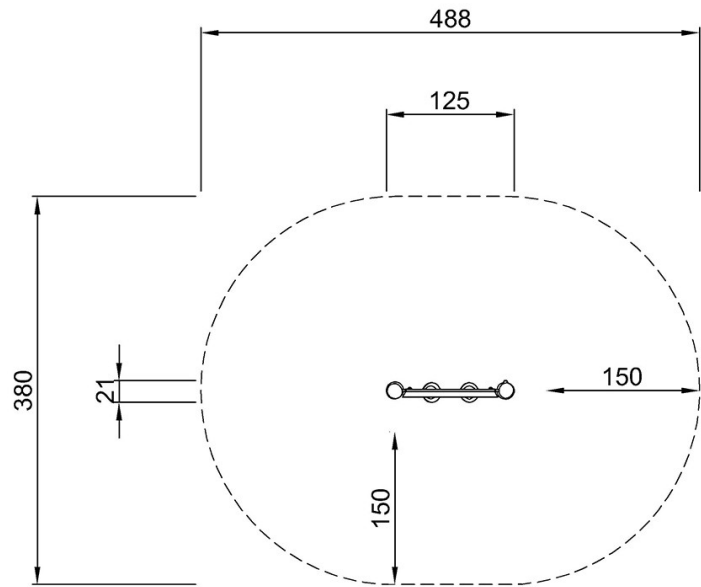


Stack & Turn Play Panel

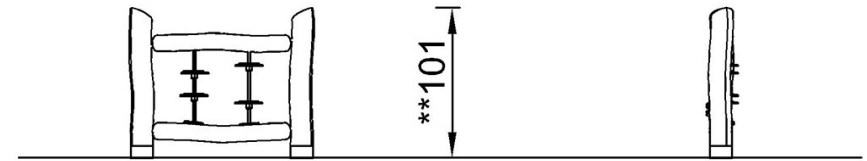
NRC60101

最大跌落高度 | 总高度 | 安全区域

最大跌落高度 | 总高度



NRC60101
**101cm
***15.5m²



NRC60101

[点击查看俯视图](#)

[点击查看侧面图](#)