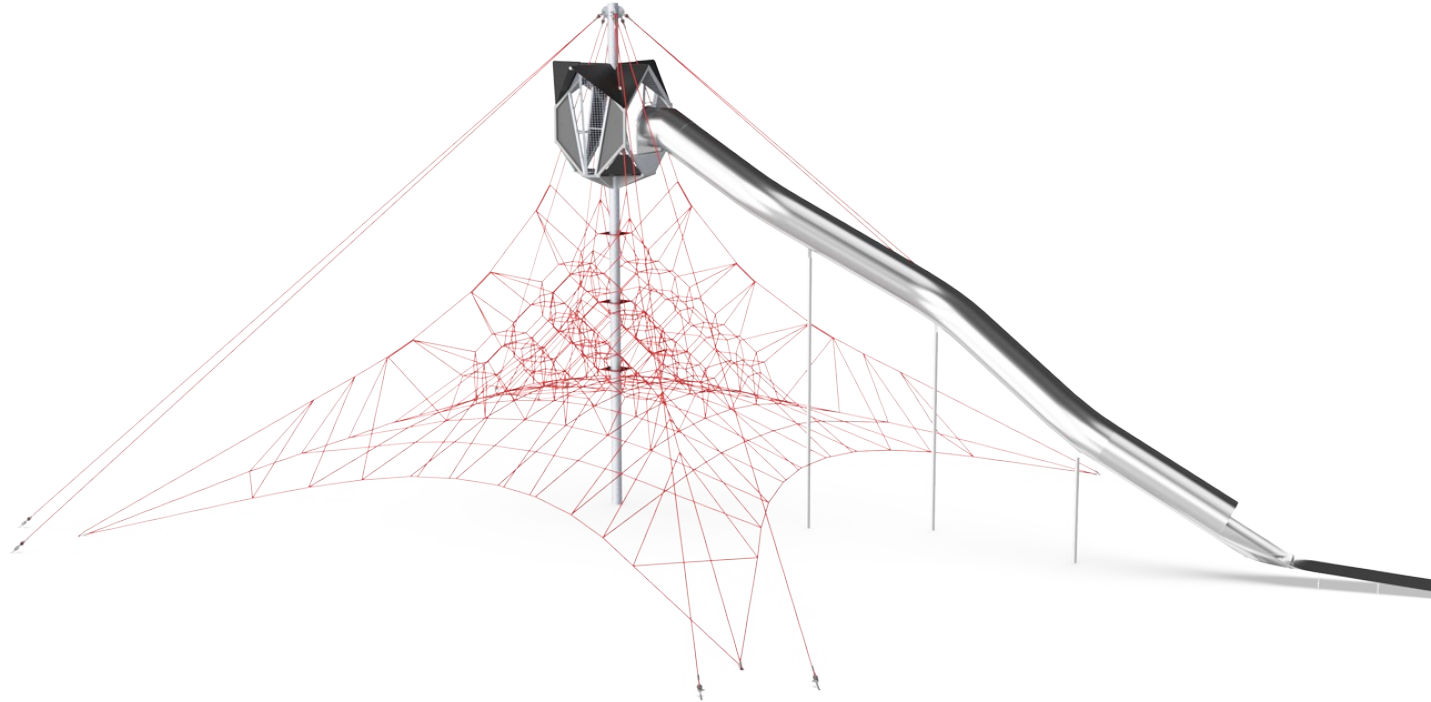
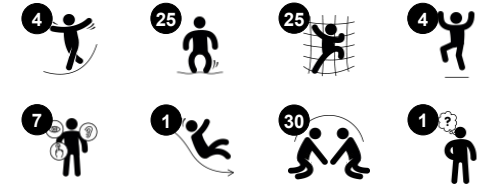


Giant Spacenet with Cabin

COR10410



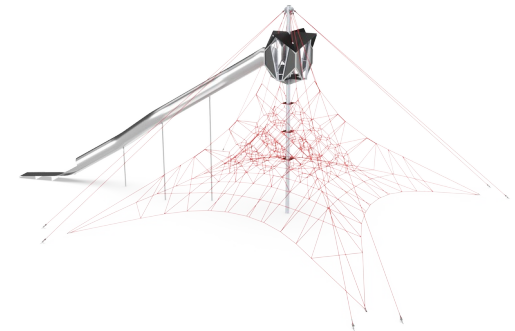
Item no. COR104101-1201	
General Product Information	
Dimensions LxWxH	2469x1783x995 cm
Age group	8+
Play capacity (users)	108
Color options	● ● ● ● ● ●



The Giant Spacenet will bring the WOW factor to any playground. It is full of climbing challenges combined with thrill and reward from every angle. The carefully designed net is scaled to invite beginners as well as more seasoned climbers to build agility, balance, and strength, the ABC of motor skills, as well as train spatial awareness and proprioception.

These are motor skills that form the basis of essential life skills such as navigating traffic safely. The sky cabin functions as a meeting point for small groups and offers a resting space to enjoy the view before the long rewarding slide down to ground level to begin the adventure all over again. The Giant Spacenet is thrilling from top to bottom and

from all angles for children and parents alike.



Giant Spacenet with Cabin

COR10410



Ropes of UV-stabilized PES rope strands with inner steel cable reinforcement. The polyester yarn is made from +95% post-consumer materials and is inductively melted onto each strand. The ropes are highly wear-and vandalism-resistant and can be replaced at site if needed.



Corocord 'S' clamps are used as universal connections in Corocord products. 8mm stainless steel rods with rounded edges are pressed around the ropes with a special hydraulic press, making them the ideal connector: safe, durable and vandalism-proof, all while allowing the typical movement of rope play structures.

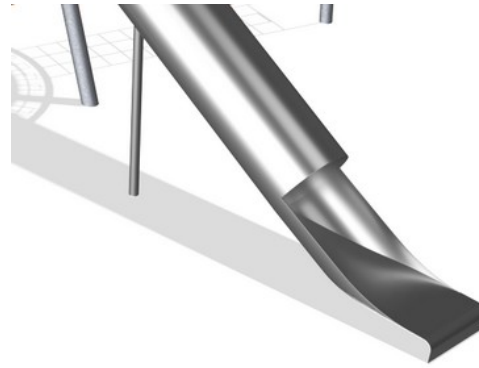


The spacenets' main bearing ropes are equipped with an additional safety feature: should the main connections fail, the safety rope prevents collapse of the structure.

Item no. COR104101-1201	
Installation Information	
Max. fall height	260 cm
Safety surfacing area	261.9 m ²
Total installation time	91.5
Excavation volume	27.66 m ³
Concrete volume	19.30 m ³
Footing depth (standard)	140 cm
Shipment weight	4,477 kg
Anchoring options	In-ground ✓



Corocord membranes consist of friction-proof rubberized material of conveyor belt quality with excellent UV resistance. Tested and compliant with REACH requirements for PAH. Embedded is a four-layered armoring made of woven polyester. The armoring and the two surface layers result in a total thickness of 7.5 mm.



The stainless steel components are made of high quality stainless steel in compliance with global playground standards. The steel is glass blasted after manufacturing to ensure a smooth gliding surface.

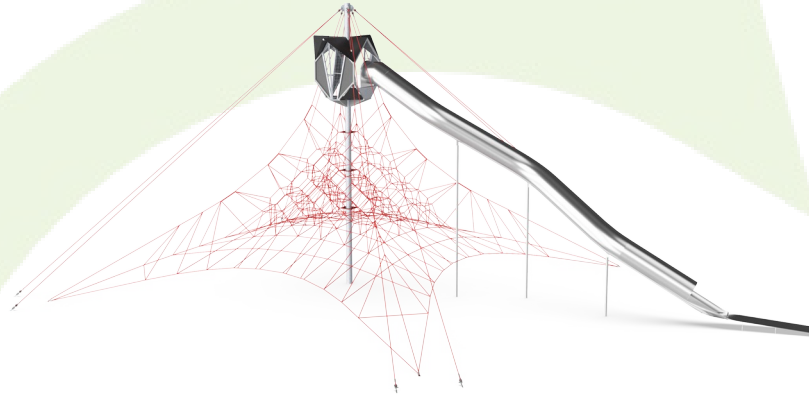


Through KOMPAN Variant Team, you can choose between additional 7 rope colours and customize your solution. The assortment is a wide span of colours ranking from elegant and expressive black or natural and toned-down hemp colour, to a range of attractive and eye-catching signal colours.



Sustainability Data

COR10410



Cradle to Gate A1-A3	Total CO ₂ emission	CO ₂ e/kg	Recycled materials
	kg CO ₂ e	kg CO ₂ e/kg	%
COR104101-1201	11,504.30	3.13	50.50

The overall framework applied for these factors is the Environmental Product Declaration (EPD), which quantifies "environmental information on the life cycle of a product and enable comparisons between products fulfilling the same function" (ISO, 2006). This follows the structure and applies a Life-Cycle Assessment approach to the entire Product stage from raw material through manufacturing (A1-A3))

Kompan A/S
 C.F. Tietgens Boulevard 32C
 DK-5220 Odense SØ
 Denmark



Verification of CO₂ calculation of: Corocord



Data version no. 2023-10-05

The CO₂ calculation and data are in compliance with the principles of a carbon footprint impact according to the GHG protocol (Greenhouse Gas Protocol), Scope 3, cradle to gate related to all individual components in the product category: "Corocord" represented by item no.: COR314011-1101.

(Scope 3 emissions include emission sources in the upstream and downstream value chain).

Date: 30. October 2023 | Valid until: 30. October 2025

Verified by:

Julie Marie Vejsgaard Larsen, LCA & EPD Consultant

Verification based on report: Validation of CO₂ calculation of 9 categories of Kompan product line, version 1.0, prepared by: Bureau Veritas HSE, Denmark: Julie M. V. Larsen.

Publication date: 30. October 2023

By Bureau Veritas HSE
 www.bureauveritas.dk
 +45 7731 1000

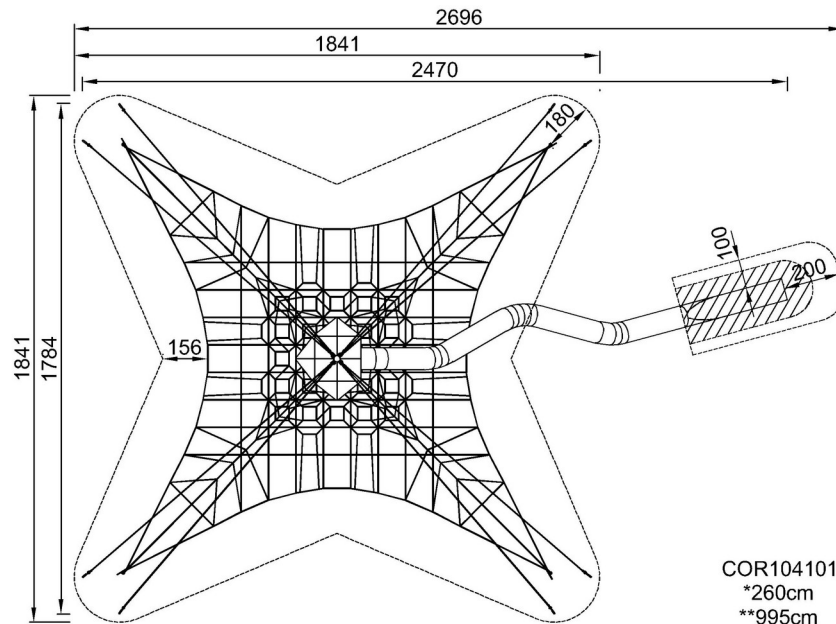


Giant Spacenet with Cabin

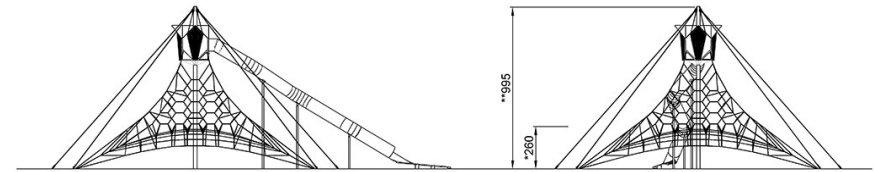
COR10410

* Max fall height | ** Total height | *** Safety surfacing area

* Max fall height | ** Total height



COR104101
*260cm
**995cm
***261.9m²



Attention! Foundation anchor blocks exceeds safety zone area. See installation instructions.

[Click to see TOP VIEW](#)

[Click to see SIDE VIEW](#)