

Slide with Climbing Wall

M333

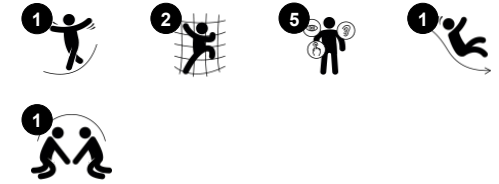


The Slide with Climbing Wall offers an extra dimension to climbing. With its stair and climbing wall it attracts children for sliding and offers an alternative route too. Sliding is fun play and children try it out, again and again. Looping the stair, climbing wall and the slide, apart from being fun, is great cardio training. Children also train their turn-taking skills and

empathy when considering others in front or behind them. When children slide, they train their core muscles, sitting upright while sliding down. This stimulates trunk stability, important for avoiding back and neck pains – a growing problem in children due to sedentary lifestyles. Sliding trains the sense of balance, fundamental for other motor skills. Climbing up

the ladder or climbing wall, children train cross-coordination, which trains cross-modal perception, important for things such as reading skills.

Item no. M33301-3517	
General Product Information	
Dimensions LxWxH	104x417x277 cm
Age group	4+
Play capacity (users)	3
Colour options	●



Slide with Climbing Wall

M333



Slide

Physical: sliding develops spatial awareness and a sense of balance. Furthermore, the core muscles are trained when sitting upright going down. **Social-Emotional:** empathy stimulated by turn-taking.



Pipe ladder

Physical: cross coordination and eye-hand coordination are supported when children climb the ladder. The climbing also supports leg and arm muscles. **Social-Emotional:** learning about turn taking and cooperation.



Climbing cleat

Physical: placed to support hands and feet when crawling across, they train dexterity, hand and foot strength. **Social-Emotional:** adds the feeling of security, helping children to feel confident in climbing higher.

Slide with Climbing Wall

M333



The stainless steel slides with one piece slide bed are made of high quality stainless steel AISI 304.



The steel surfaces are hot dip galvanised inside and outside with lead free zinc. The galvanisation has excellent corrosion resistance in outside environments and requires low maintenance.



Panels of 19mm EcoCore™. EcoCore™ is a highly durable, eco friendly material, which is not only recyclable after use, but also consists of material produced from +95% recycled post consumer material from food packing waste.



Curved climbing wall is made of Ekogrip® panel that consist of a 15mm thick PE base with 3 mm top-layer of soft rubber with a non-skid effect.

Item no. M33301-3517	
Installation Information	
Max. fall height	186 cm
Safety surfacing area	25.1 m ²
Total installation time	6.0
Excavation volume	0.81 m ³
Concrete volume	0.00 m ³
Footing depth (standard)	70 cm
Shipment weight	266 kg
Anchoring options	In-ground ✓ Surface ✓
Warranty Information	
Climbing grips	10 years
EcoCore HDPE	Lifetime
Hot dip galvanised steel	Lifetime
Spare parts guaranteed	10 years
Stainless steel slide	10 years



Sustainability Data

M333



Cradle to Gate A1-A3	Total CO ₂ emission	CO ₂ e/kg	Recycled materials
	kg CO ₂ e	kg CO ₂ e/kg	%
M33301-3517	501.23	2.44	33.22

The overall framework applied for these factors is the Environmental Product Declaration (EPD), which quantifies "environmental information on the life cycle of a product and enable comparisons between products fulfilling the same function" (ISO, 2006). This follows the structure and applies a Life-Cycle Assessment approach to the entire Product stage from raw material through manufacturing (A1-A3))

Kompan A/S
C.F. Tietgens Boulevard 32C
DK-5220 Odense SØ
Denmark



Verification of CO₂ calculation of: Freestanding play equipment



Data version no. 2023-10-05

The CO₂ calculation and data are in compliance with the principles of a carbon footprint impact according to the GHG protocol (Greenhouse Gas Protocol), Scope 3, cradle to gate related to all individual components in the product category: "Freestanding play equipment" represented by item no.: GXY916012-3417.

(Scope 3 emissions include emission sources in the upstream and downstream value chain).

Date: 30. October 2023 | Valid until: 30. October 2025

Verified by:

Julie Marie Vejsgaard Larsen, LCA & EPD Consultant

Verification based on report: Validation of CO₂ calculation of 9 categories of Kompan product line, version 1.0, prepared by: Bureau Veritas HSE, Denmark: Julie M. V. Larsen.

Publication date: 30. October 2023

By Bureau Veritas HSE
www.bureauveritas.dk
+45 7731 1000

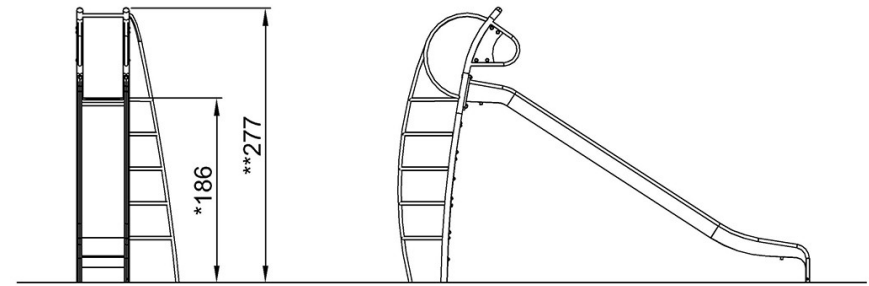
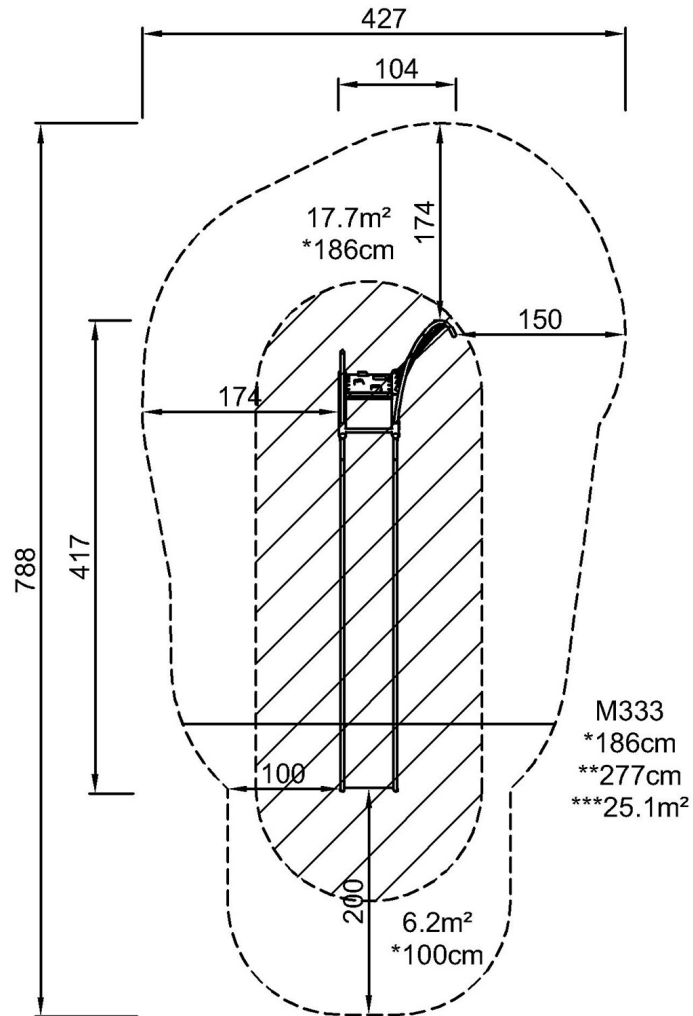


Slide with Climbing Wall

M333

* Max fall height | ** Total height | *** Safety surfacing area

* Max fall height | ** Total height



M333

[Click to see TOP VIEW](#)

[Click to see SIDE VIEW](#)